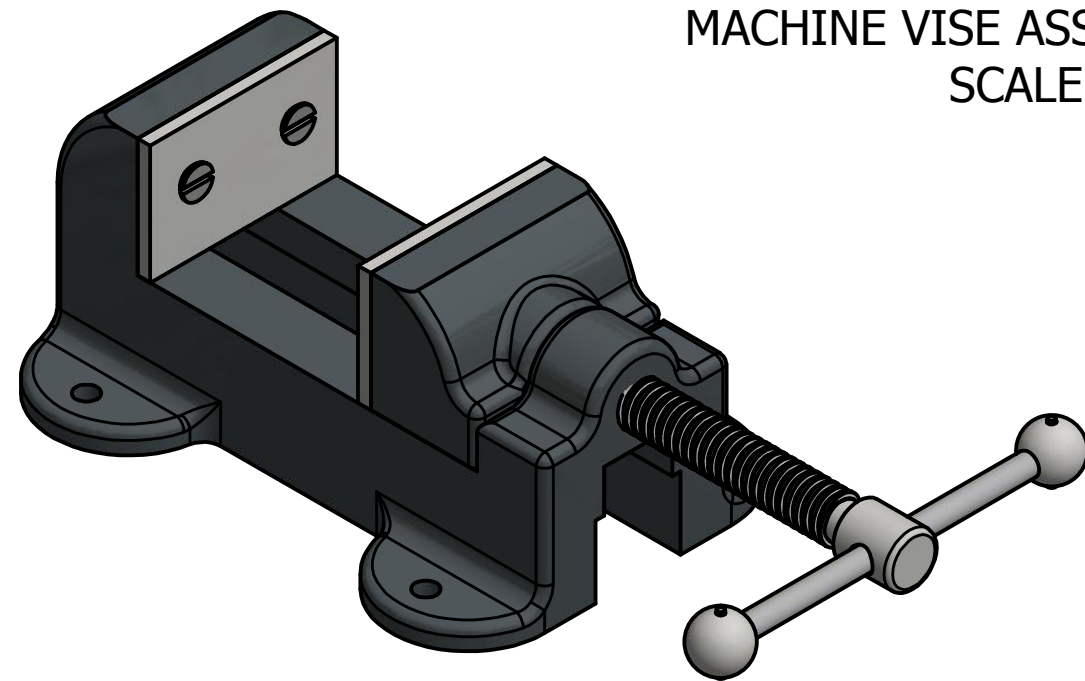


MACHINE VISE ASSEMBLY (CLOSED)
SCALE 1 / 2



MACHINE VISE ASSEMBLY (OPEN)
SCALE 1 / 2

PARTS LIST			
ITEM	QTY	PART NUMBER	MATERIAL
1	1	BASE	CAST IRON
2	1	SLIDING JAW	CAST IRON
3	2	JAW PLATE	SAE #3140
4	1	WISE SCREW	SAE #3140
5	1	COLLAR	SAE #1020
6	1	SPECIAL KEY	SAE #1020
7	1	HANDLE ROD	COLD ROLLED STEEL
8	2	HANDLE BALL	SAE #1020
9	2	SLIDE KEY	SAE #1020
10	2	SET SCREW	SAE #1016
11	4	1/4 FL HD MACH SCR	TYPICAL
12	2	#000 TAPER PIN	TYPICAL

LEGEND:

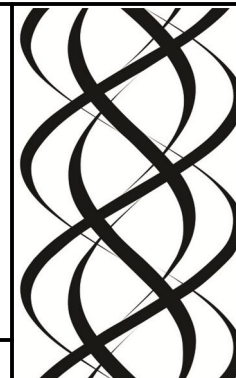
- ∅ DIAMETER
- R RADIUS
- ° DEGREE
- ∇ DEPTH
- COUNTERBORE

GENERAL NOTES: ALL FILLETS AND ROUNDS TO BE 1/8 RADIUS UNLESS NOTED OTHERWISE



DIGITAL DESIGN
GRAPHICS
TECHNOLOGY

WWW.DDGT.NET



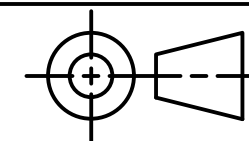
Alexzander Kuykendall

Draftsman and Graphic Designer

(707) 980-5920

alexjkuykendall@gmail.com

www.ddgt.net/StudentPages/akuykendall



TOLERANCES UNLESS SPECIFIED

DECIMAL INCHES:

X = ±.020

XX = ±.010

XXX = ±.005

FRACTIONAL ± 1/64"

ANGLES ± 1 DEGREE

SURFACES 32 ✓

COURSE: DDGT 240

INVENTOR DRAWING NAME:

MACHINE VISE

FIG #: 14-71

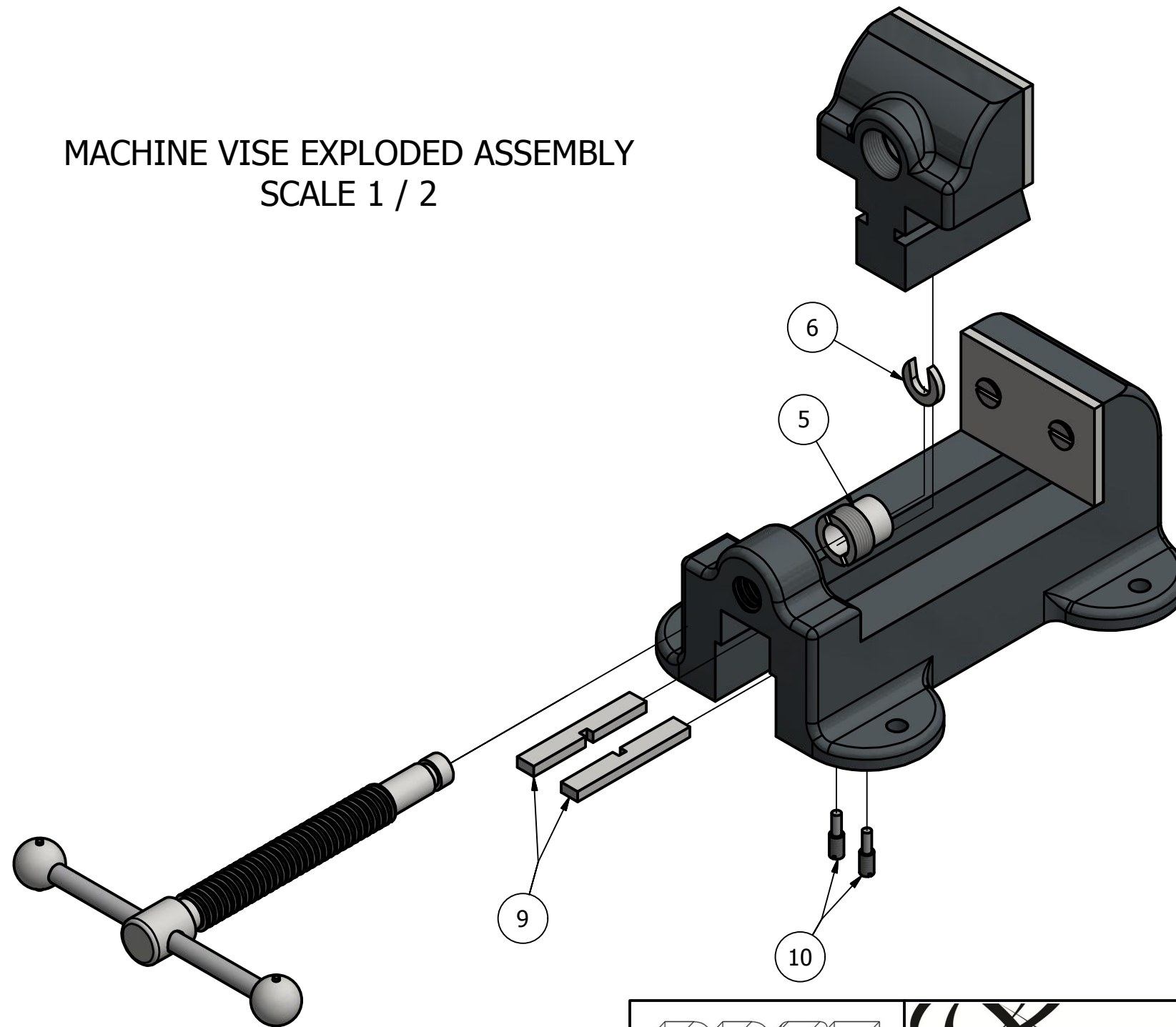
DRAFTER: A. KUYKENDALL

DATE: 9/21/2016

SCALE: AS NOTED

PAGE #: 1 OF 6

MACHINE VISE EXPLODED ASSEMBLY
SCALE 1 / 2



PARTS LIST		
ITEM	QTY	PART NUMBER
1	1	BASE
2	1	SLIDING JAW
3	2	JAW PLATE
4	1	WISE SCREW
5	1	COLLAR
6	1	SPECIAL KEY
7	1	HANDLE ROD
8	2	HANDLE BALL
9	2	SLIDE KEY
10	2	SET SCREW
11	4	1/4 FL HD MACH SCR
12	2	#000 TAPER PIN

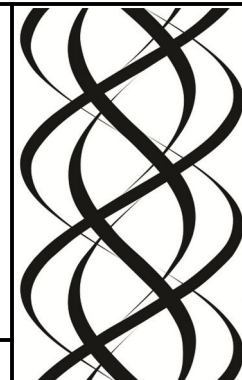
LEGEND:

- ∅ DIAMETER
- R RADIUS
- ° DEGREE
- ∇ DEPTH
- ┌ COUNTERBORE

DDGT

DIGITAL DESIGN
GRAPHICS
TECHNOLOGY

WWW.DDGT.NET



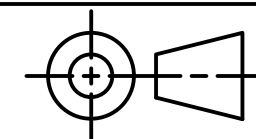
Alexzander Kuykendall

Draftsman and Graphic Designer

(707) 980-5920

alexjkuykendall@gmail.com

www.ddgt.net/StudentPages/akuykendall



TOLERANCES UNLESS SPECIFIED

DECIMAL INCHES:

X = ±.020

XX = ±.010

XXX = ±.005

FRACTIONAL ± 1/64"

ANGLES ± 1 DEGREE

SURFACES $\sqrt{32}$

COURSE: DDGT 240

INVENTOR DRAWING NAME:

MACHINE VISE

FIG #: 14-71

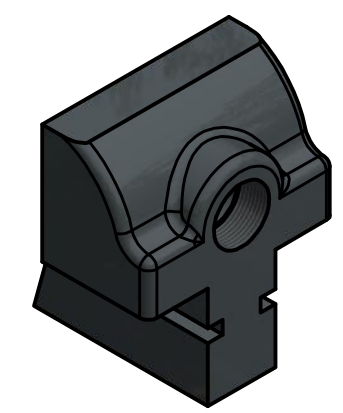
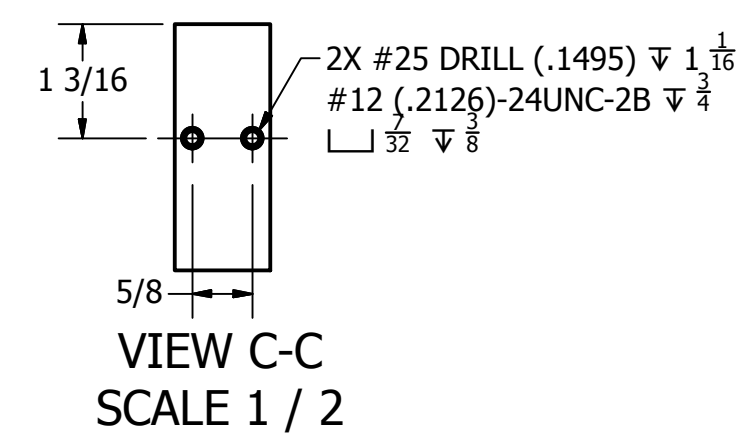
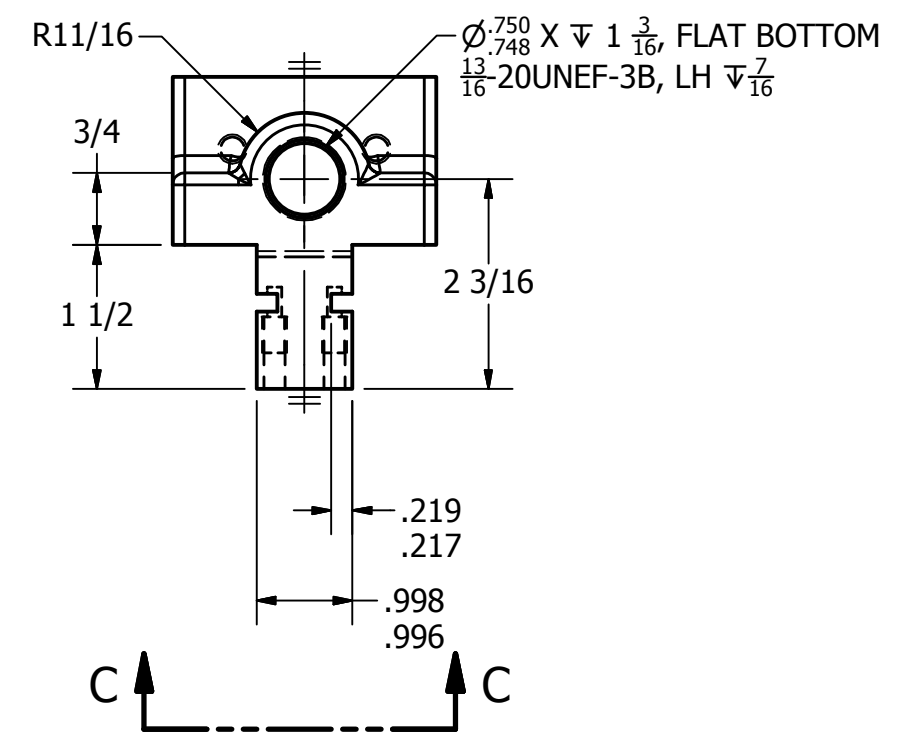
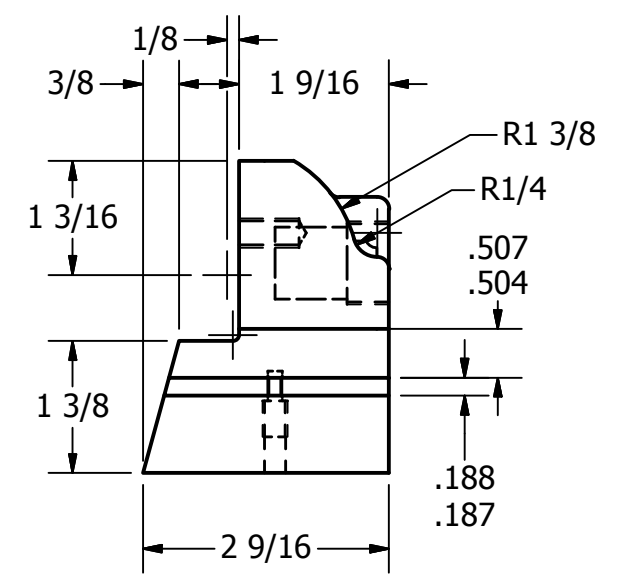
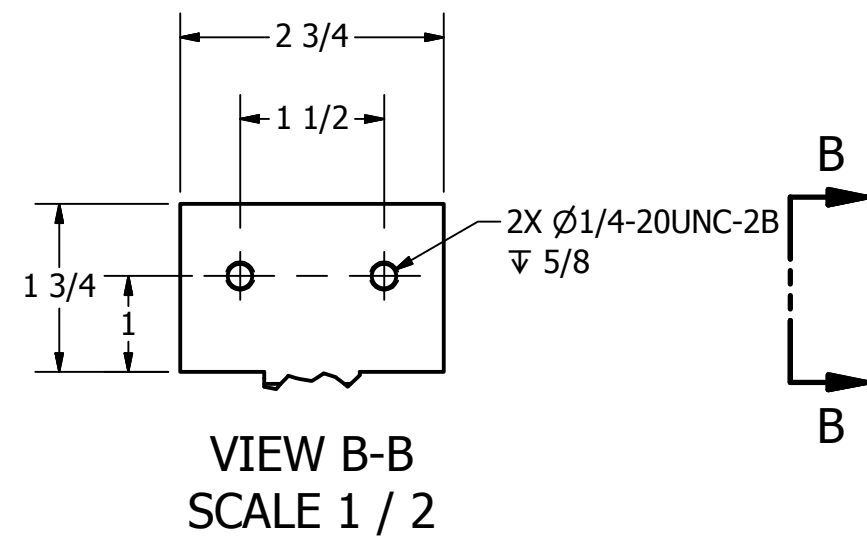
DRAFTER: A. KUYKENDALL

DATE: 9/21/2016

SCALE: AS NOTED

PAGE #: 3 OF 6

PARTS LIST		
ITEM	QTY	PART NUMBER
2	1	SLIDING JAW



LEGEND:

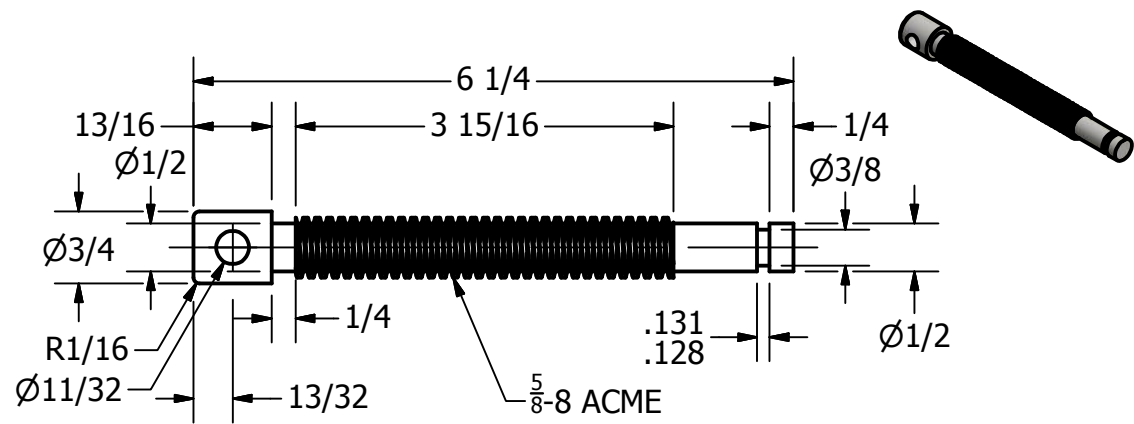
Ø DIAMETER
R RADIUS
° DEGREE
∇ DEPTH
┌ COUNTERBORE

DDGT
DIGITAL DESIGN
GRAPHICS
TECHNOLOGY
WWW.DDGT.NET

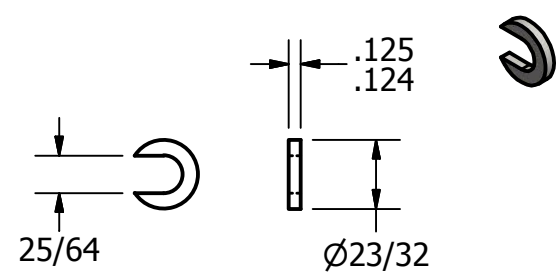
Alexzander Kuykendall
Draftsman and Graphic Designer
(707) 980-5920
alexjkuykendall@gmail.com
www.ddgt.net/StudentPages/akuykendall

TOLERANCES UNLESS SPECIFIED
DECIMAL INCHES:
X = ±.020
XX = ±.010
XXX = ±.005
FRACTIONAL ± 1/64"
ANGLES ± 1 DEGREE
SURFACES 32 ✓

COURSE:	DDGT 240
INVENTOR DRAWING NAME:	MACHINE VISE
FIG #:	14-71
DRAFTER:	A. KUYKENDALL
DATE:	9/21/2016
SCALE:	AS NOTED
PAGE #:	5 OF 6

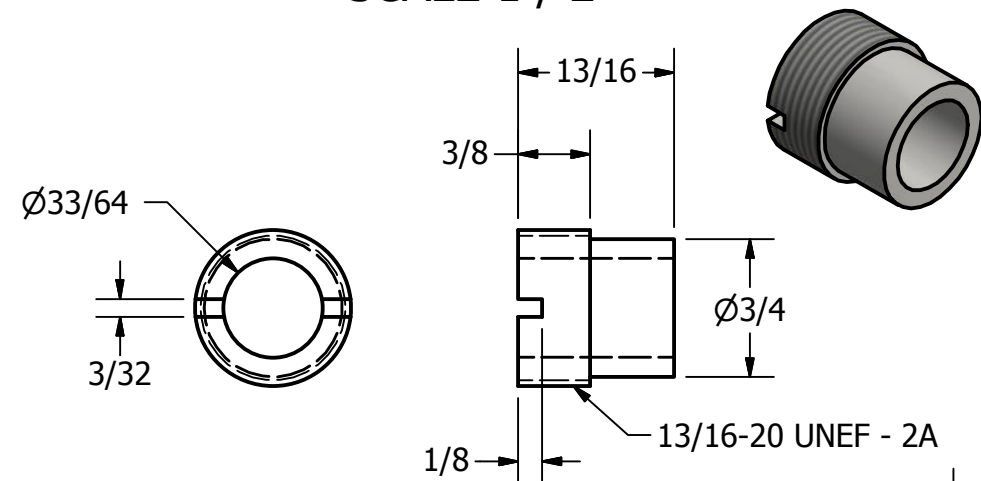


WISE SCREW
SCALE 1 / 2

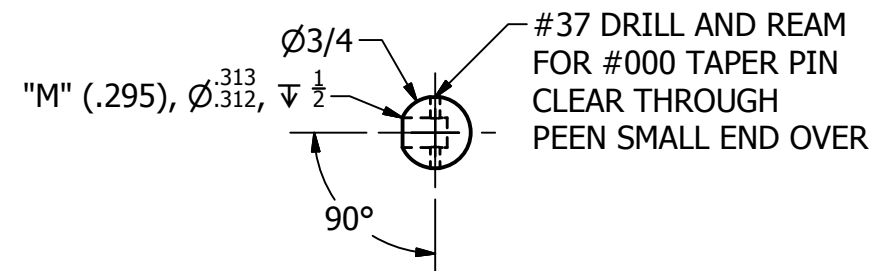


SPECIAL KEY
SCALE 1 / 2

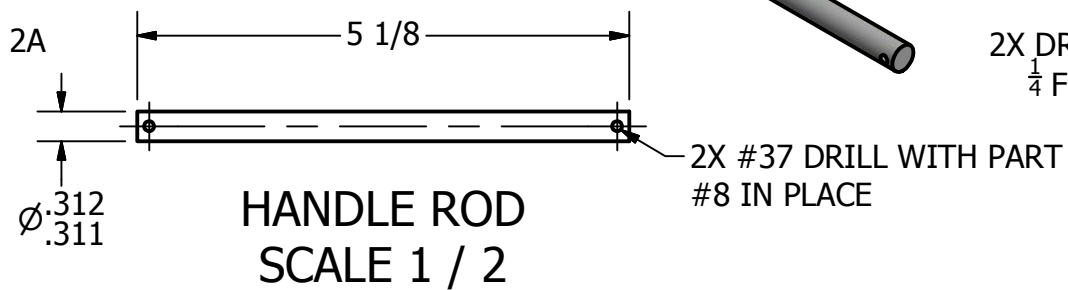
PARTS LIST		
ITEM	QTY	PART NUMBER
3	2	JAW PLATE
4	1	WISE SCREW
5	1	COLLAR
6	1	SPECIAL KEY
7	1	HANDLE ROD
8	2	HANDLE BALL
9	2	SLIDE KEY
10	2	SET SCREW



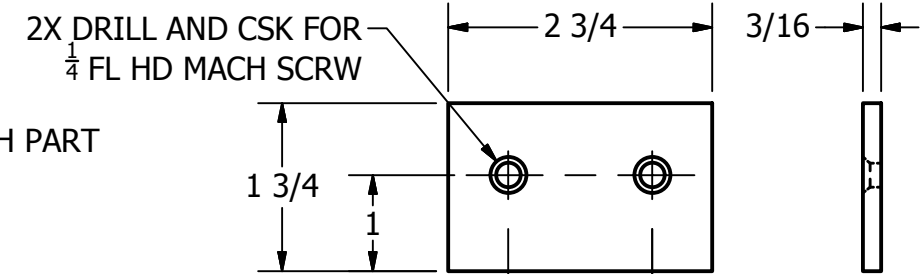
COLLAR
SCALE 1 : 1



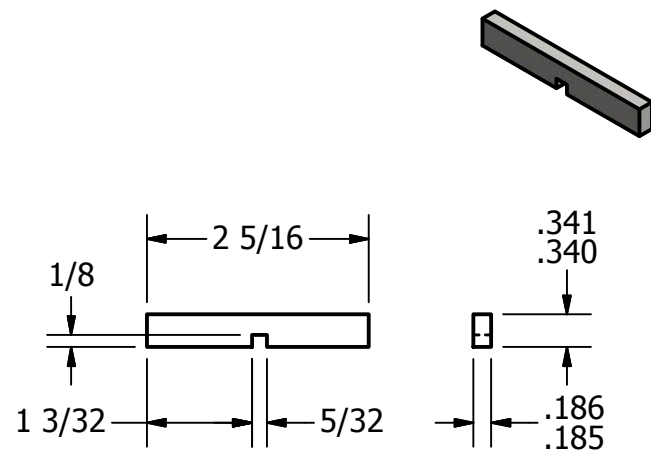
HANDLE BALL
SCALE 1 / 2



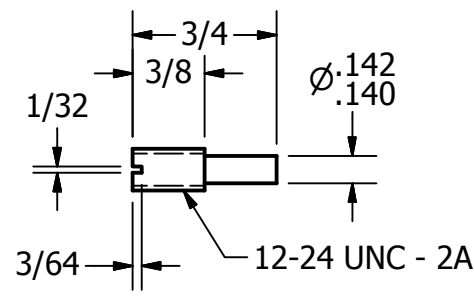
HANDLE ROD
SCALE 1 / 2



JAW PLATE
SCALE 1 / 2



SLIDE KEY
SCALE 1 / 2



SET SCREW
SCALE 1 : 1

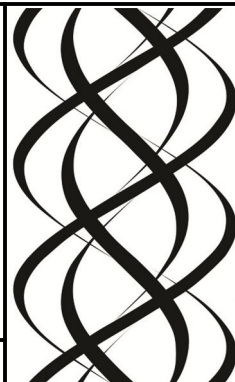
LEGEND:

- ∅ DIAMETER
- R RADIUS
- ° DEGREE
- ∇ DEPTH
- ┌ COUNTERBORE



DIGITAL DESIGN
GRAPHICS
TECHNOLOGY

WWW.DDGT.NET



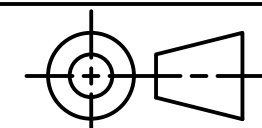
Alexzander Kuykendall

Draftsman and Graphic Designer

(707) 980-5920

alexjkuykendall@gmail.com

www.ddgt.net/StudentPages/akuykendall



TOLERANCES UNLESS SPECIFIED
DECIMAL INCHES:
X = ±.020
XX = ±.010
XXX = ±.005
FRACTIONAL ± 1/64"
ANGLES ± 1 DEGREE

SURFACES 32 ✓

COURSE: DDGT 240

INVENTOR DRAWING NAME:

MACHINE VISE

FIG #: 14-71

DRAFTER: A. KUYKENDALL

DATE: 9/21/2016

SCALE: AS NOTED

PAGE #: 6 OF 6