

PARTS LIST

ITEM #	QTY.	PART NAME	DESCRIPTION
1	1	SHAFT	
2	1	OILLESS BUSHING	
3	1	FRAME	
4	1	WHEEL	
5	2	SIDE PLATE	.12 THICK
6	1	COLLAR	
7	6	RIVET	Ø.31 RIVET
8	2	WASHER	
9	1	SPRING PIN	Ø.25 SPRING PIN

LEGEND:

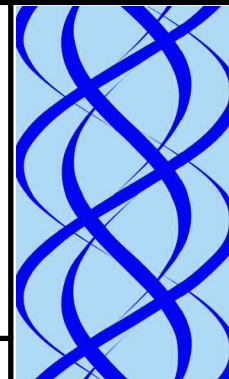
° DEGREES
 Ø DIAMETER
 R RADIUS

GENERAL NOTES: ALL ROUNDS AND FILLETS ARE .12
 MATERIALS TO BE DECIDED AT A LATER DATE.

DDGT

DIGITAL DESIGN
 GRAPHICS
 TECHNOLOGY

WWW.DDGT.NET



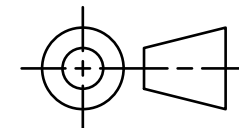
Alexzander Kuykendall

Draftsman and Graphic Designer

(707) 980-5920

alexjkuykendall@gmail.com

www.ddgt.net/StudentPages/akuykendall



TOLERANCES UNLESS SPECIFIED

DECIMAL INCHES:

X = ±.020

XX = ±.010

XXX = ±.005

FRACTIONAL ± 1/64"

ANGLES ±1 DEGREE

SURFACES 32/

COURSE: DDGT 121

AUTOCAD DRAWING NAME:

WHEEL ASSEMBLY

FIG#: 11-55

DRAFTER: A. KUYKENDALL

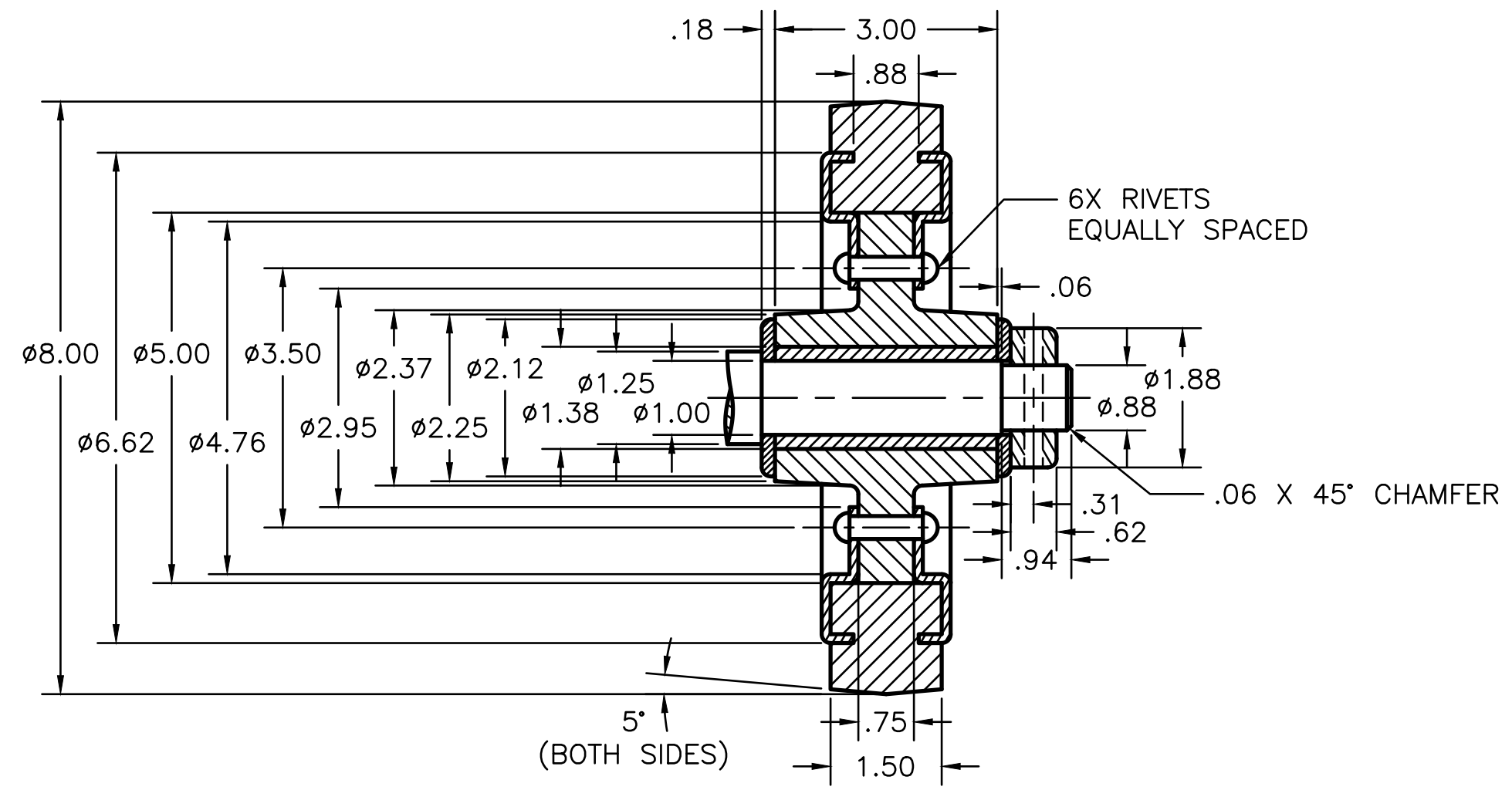
DATE: 11/26/2016

SCALE: 1:4

PAGE #: 1 OF 2

PARTS LIST

ITEM #	QTY.	PART NAME
1	1	SHAFT
2	1	OILLESS BUSHING
3	1	FRAME
4	1	WHEEL
5	2	SIDE PLATE
6	1	COLLAR
7	6	RIVET
8	2	WASHER
9	1	SPRING PIN



LEGEND:
 ° DEGREES
 Ø DIAMETER
 R RADIUS

DDGT
 DIGITAL DESIGN
 GRAPHICS
 TECHNOLOGY
 WWW.DDGT.NET

Alexzander Kuykendall
 Draftsman and Graphic Designer
 (707) 980-5920
 alexjkuykendall@gmail.com
 www.ddgt.net/StudentPages/akuykendall

TOLERANCES UNLESS SPECIFIED
 DECIMAL INCHES:
 X = ±.020
 XX = ±.010
 XXX = ±.005
 FRACTIONAL ± 1/64"
 ANGLES ±1 DEGREE
 SURFACES 32/√

COURSE: DDGT 121
 AUTOCAD DRAWING NAME:
 WHEEL ASSEMBLY
 FIG#: 11-55
 DRAFTER: A. KUYKENDALL
 DATE: 11/26/2016
 SCALE: 1:2
 PAGE #: 2 OF 2