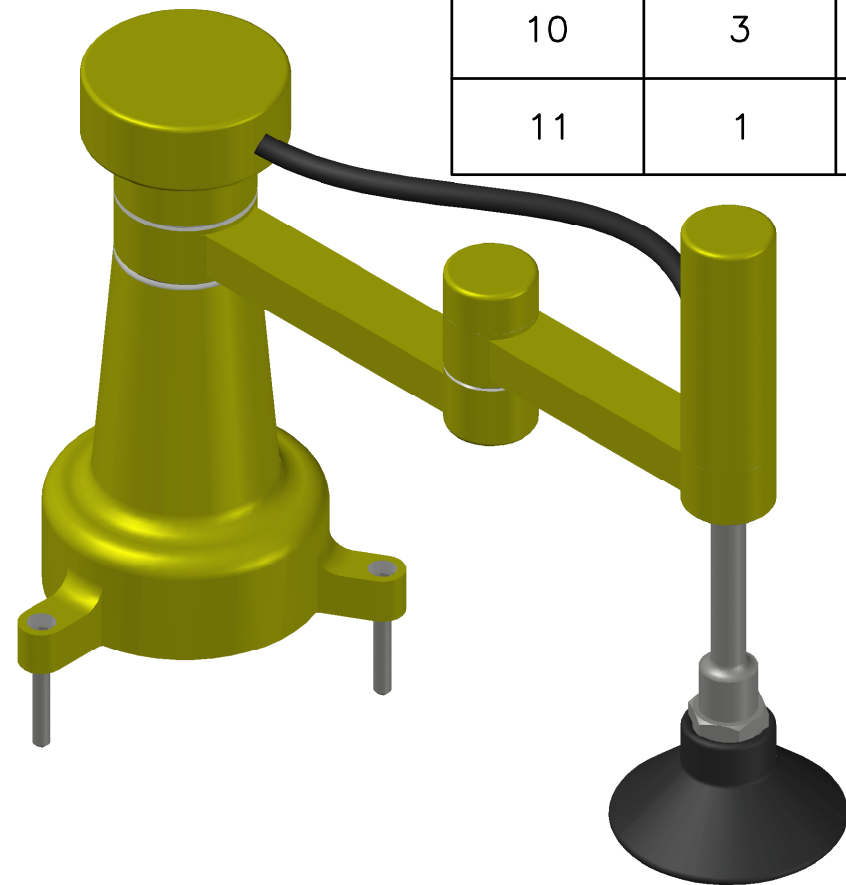


PARTS LIST

| ITEM | QTY | PART NAME | MATERIAL | DESCRIPTION |
|------|-----|------------------|----------|---|
| 1 | 1 | BASE 01 | ALUMINUM | PAINT FINISH |
| 2 | 1 | ARM 01 | ALUMINUM | PAINT FINISH |
| 3 | 1 | ARM 02 | ALUMINUM | PAINT FINISH |
| 4.1 | 1 | SLIDING TUBE | STEEL | |
| 4.2 | 1 | SLIDING TUBE END | STEEL | |
| 5 | 1 | VACUUM CONNECTOR | STEEL | |
| 6 | 1 | VACUUM CUP | RUBBER | |
| 7 | 1 | BASE CAP | ALUMINUM | |
| 8 | 1 | ELBOW CAP | ALUMINUM | |
| 9 | 1 | VACUUM CAP | ALUMINUM | |
| 10 | 3 | CAP SCREW | STEEL | 1 1/4" 10-36 UNC 1.25" LG |
| 11 | 1 | VACUUM LINE | RUBBER | O.D.Ø1.25", I.D.Ø.825", LENGTH 8.00" |



ROBOTIC ARM ASSEMBLED VIEW
SCALE 1:2

LEGEND:

- ∅ DIAMETER
- R RADIUS
- ° DEGREES
- SPOTFACE/COUNTERBORE
- ∇ DEPTH

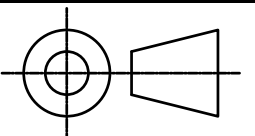
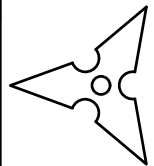
GENERAL NOTES:

ALL FILLETS AND ROUNDS .06" UNLESS OTHERWISE STATED.
 ALL CHAMFERS .02" X 45° UNLESS OTHERWISE STATED.
 ALL SHELLS ARE .13" UNIFORM THICKNESS UNLESS OTHERWISE STATED.



DIGITAL DESIGN
GRAPHICS
TECHNOLOGY

WWW.DDGT.NET



TOLERANCES UNLESS SPECIFIED:
 DECIMAL INCHES:
 X = ±.020
 XX = ±.010
 XXX = ±.005
 FRACTIONAL ±'/64"
 ANGLES ±1 DEGREE
 SURFACES 32/

CLASS: DDGT 241

ASSIGNMENT #: 08

AUTOCAD DRAWING NAME:
ROBOTIC ARM

FIG #: 1058

MANAGER: G. STROMMEN

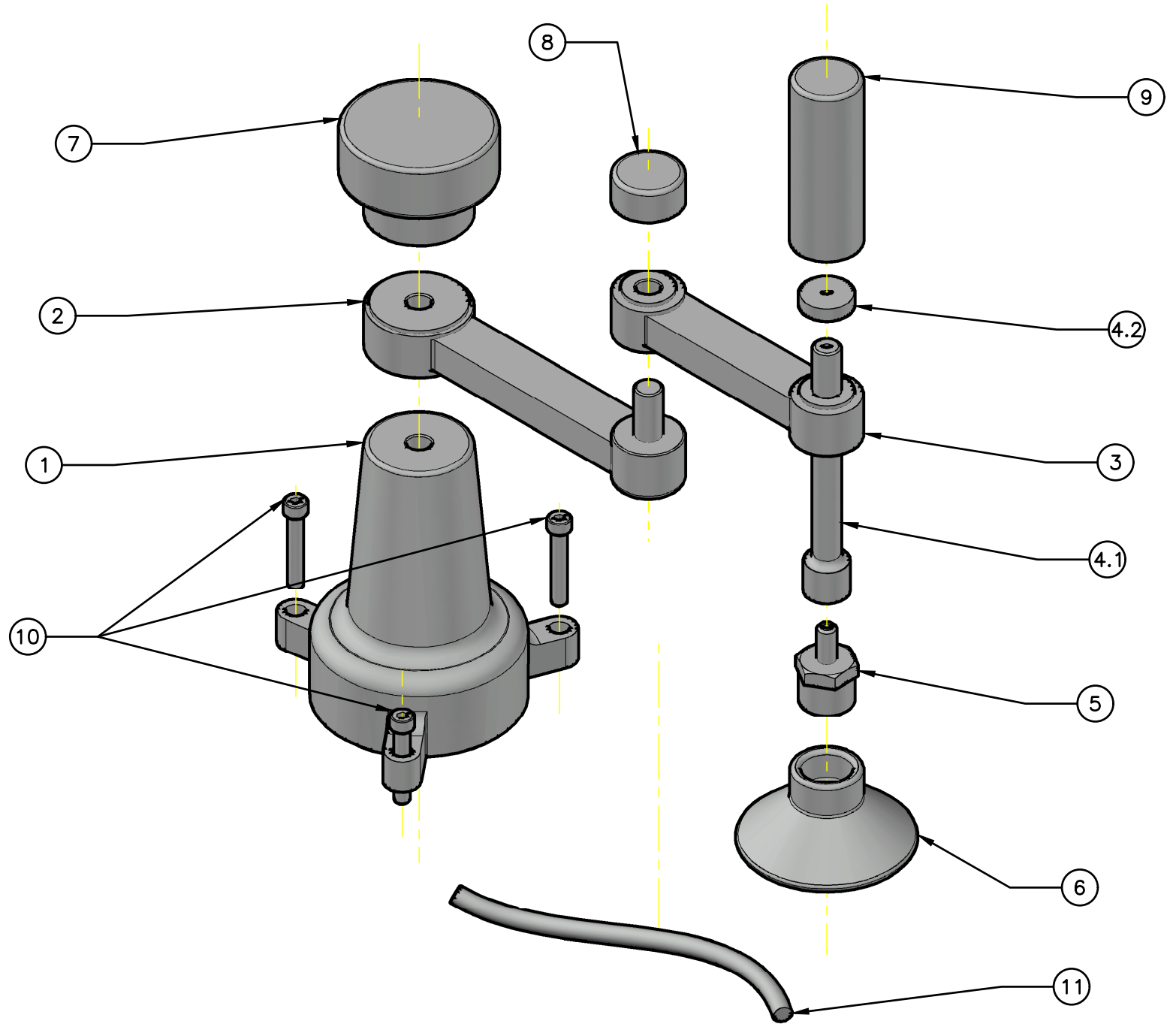
DRAFTER: A. MOSTAFA

DATE: 2/28/2024

SCALE: AS NOTED

PAGE #: 1 OF 5

Ahmed Drafting
 Ahmed Mostafa - Drafter
 Phone: (707) 492-7406
 omarmostafa74@yahoo.com
 http://ddgt.net/StudentPages/amostafa



ROBOTIC ARM ASSEMBLY EXPLODED VIEW
SCALE 1:2

GENERAL NOTES:

ALL FILLETS AND ROUNDS .06" UNLESS OTHERWISE STATED.
 ALL CHAMFERS .02" X 45° UNLESS OTHERWISE STATED.
 ALL SHELLS ARE .13" UNIFORM THICKNESS UNLESS OTHERWISE STATED.

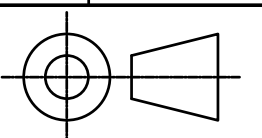
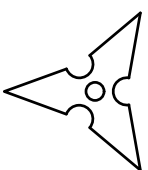
PARTS LIST

| ITEM | QTY | PART NAME |
|------|-----|------------------|
| 1 | 1 | BASE 01 |
| 2 | 1 | ARM 01 |
| 3 | 1 | ARM 02 |
| 4.1 | 1 | SLIDING TUBE |
| 4.2 | 1 | SLIDING TUBE END |
| 5 | 1 | VACUUM CONNECTOR |
| 6 | 1 | VACUUM CUP |
| 7 | 1 | BASE CAP |
| 8 | 1 | ELBOW CAP |
| 9 | 1 | VACUUM CAP |
| 10 | 3 | CAP SCREW |
| 11 | 1 | VACUUM LINE |



DIGITAL DESIGN
GRAPHICS
TECHNOLOGY

WWW.DDGT.NET



TOLERANCES UNLESS SPECIFIED:
 DECIMAL INCHES:
 X = ±.020
 XX = ±.010
 XXX = ±.005
 FRACTIONAL ±'/64"
 ANGLES ±1 DEGREE
 SURFACES 32/

Ahmed Drafting
 Ahmed Mostafa - Drafter
 Phone: (707) 492-7406
 omarmostafa74@yahoo.com
 http://ddgt.net/StudentPages/amostafa

CLASS: DDGT 241

ASSIGNMENT #: 08

AUTOCAD DRAWING NAME:
ROBOTIC ARM

FIG #: 1058

MANAGER: G. STROMMEN

DRAFTER: A. MOSTAFA

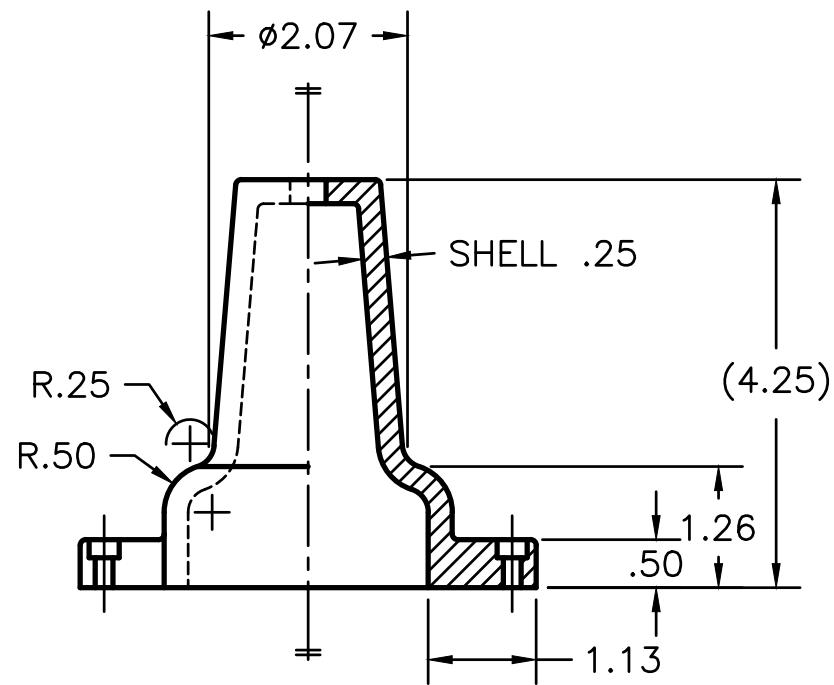
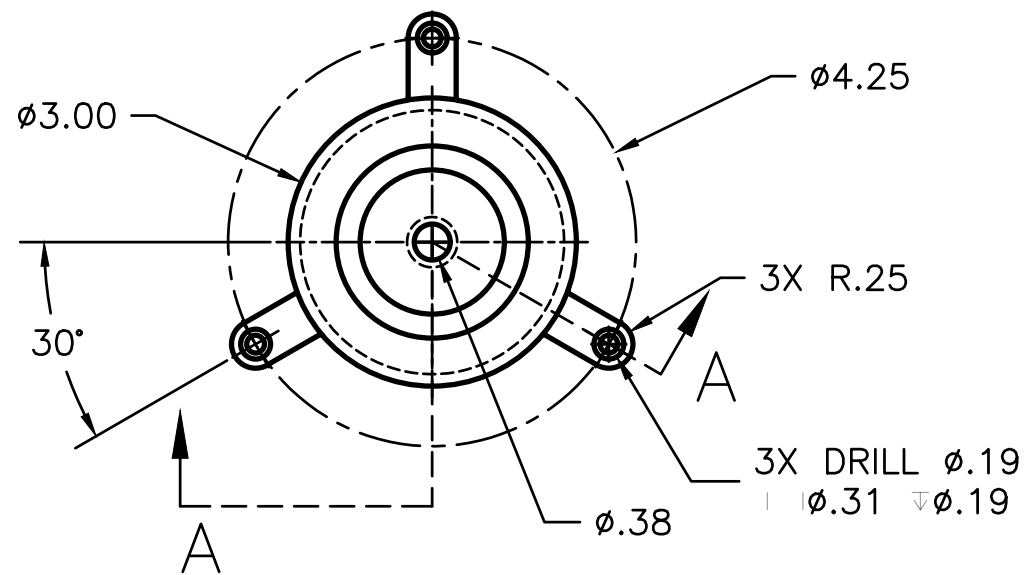
DATE: 2/28/2024

SCALE: AS NOTED

PAGE #: 2 OF 5

LEGEND:

- ∅ DIAMETER
- R RADIUS
- ° DEGREES
- | | SPOTFACE/COUNTERBORE
- ∇ DEPTH



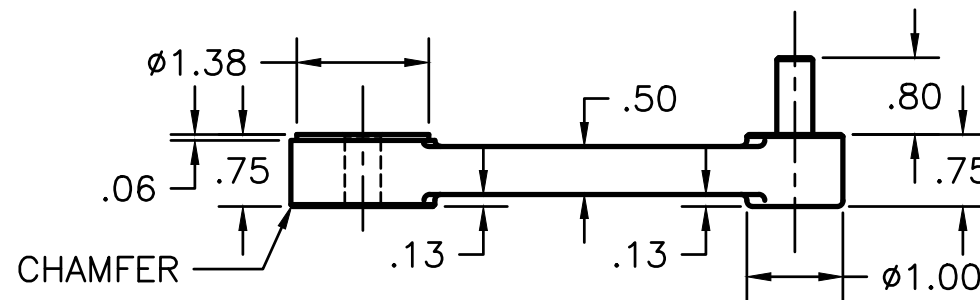
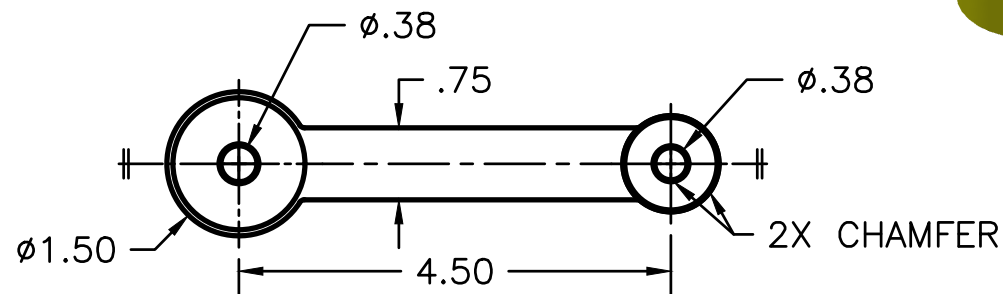
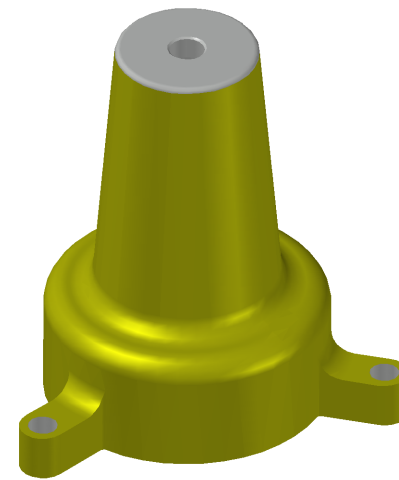
SECTION A-A

BASE 01

SCALE 1:2

GENERAL NOTES:

ALL FILLETS AND ROUNDS .06" UNLESS OTHERWISE STATED.
 ALL CHAMFERS .02" X 45° UNLESS OTHERWISE STATED.
 ALL SHELLS ARE .13" UNIFORM THICKNESS UNLESS OTHERWISE STATED.



ARM 01

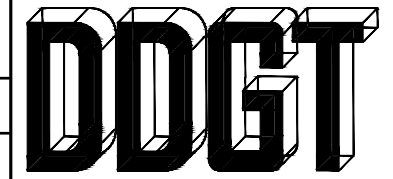
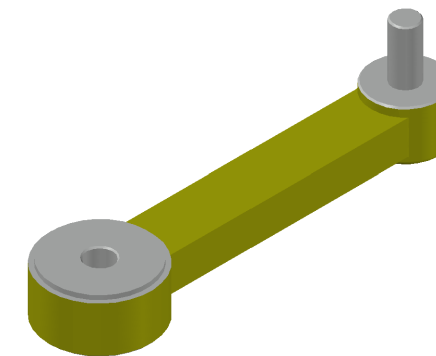
SCALE 1:2

PARTS LIST

| ITEM | QTY | PART NAME |
|------|-----|-----------|
| 1 | 1 | BASE 01 |
| 2 | 1 | ARM 01 |

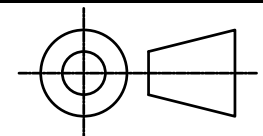
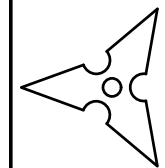
LEGEND:

- ∅ DIAMETER
- R RADIUS
- ° DEGREES
- | SPOTFACE/COUNTERBORE
- ∇ DEPTH



DIGITAL DESIGN
 GRAPHICS
 TECHNOLOGY

WWW.DDGT.NET



TOLERANCES UNLESS SPECIFIED:
 DECIMAL INCHES:
 X = ±.020
 XX = ±.010
 XXX = ±.005
 FRACTIONAL ±'/64"
 ANGLES ±1 DEGREE
 SURFACES 32/

CLASS: DDGT 241

ASSIGNMENT #: 08

AUTOCAD DRAWING NAME:
 ROBOTIC ARM

FIG #: 1058

MANAGER: G. STROMMEN

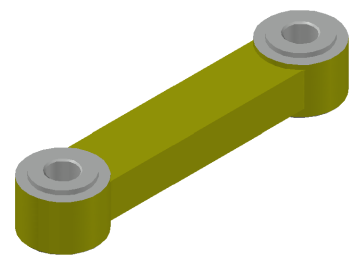
DRAFTER: A. MOSTAFA

DATE: 2/28/2024

SCALE: AS NOTED

PAGE #: 3 OF 5

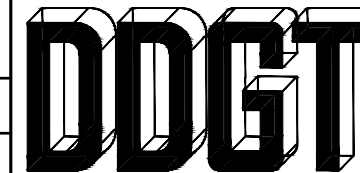
Ahmed Drafting
 Ahmed Mostafa - Drafter
 Phone: (707) 492-7406
 omarmostafa74@yahoo.com
 http://ddgt.net/StudentPages/amostafa



LEGEND:

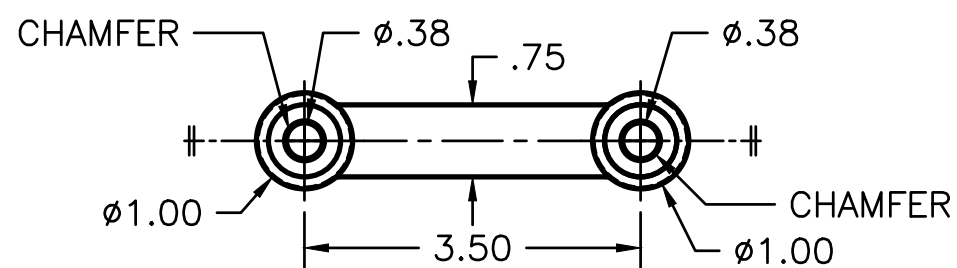
- ∅ DIAMETER
- R RADIUS
- DEGREES
- | SPOTFACE/COUNTERBORE
- ∇ DEPTH

| PARTS LIST | | |
|------------|-----|------------------|
| ITEM | QTY | PART NAME |
| 3 | 1 | ARM 02 |
| 4.1 | 1 | SLIDING TUBE |
| 4.2 | 1 | SLIDING TUBE END |
| 5 | 1 | VACUUM CONNECTOR |

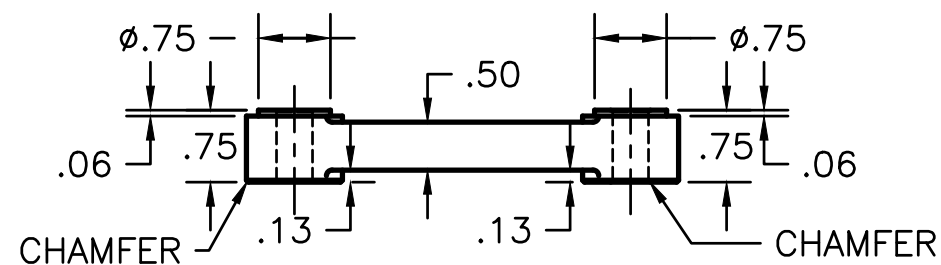


DIGITAL DESIGN
GRAPHICS
TECHNOLOGY

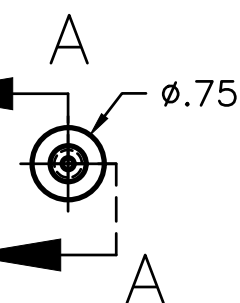
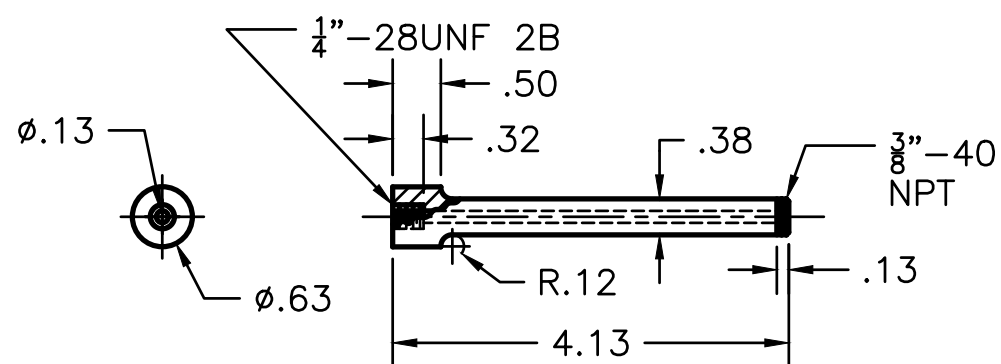
WWW.DDGT.NET



ARM 02
SCALE 1:2



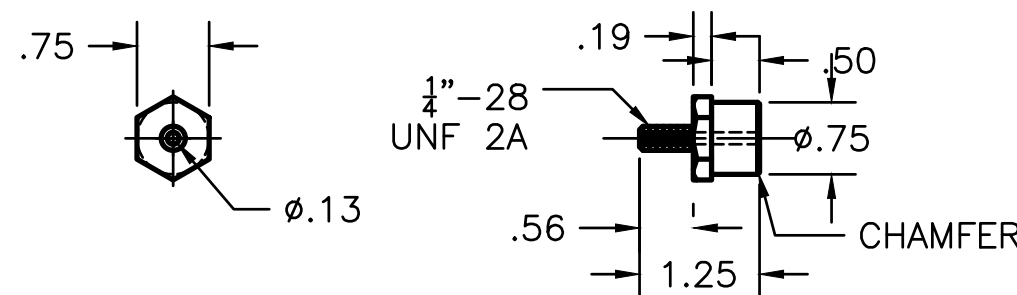
SLIDING TUBE
SCALE 1:2



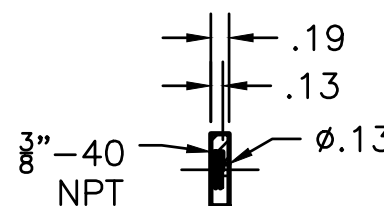
SLIDING TUBE END
SCALE 1:2

GENERAL NOTES:

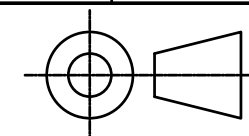
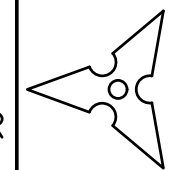
ALL FILLETS AND ROUNDS .06" UNLESS OTHERWISE STATED.
ALL CHAMFERS .02" X 45° UNLESS OTHERWISE STATED.
ALL SHELLS ARE .13" UNIFORM THICKNESS UNLESS OTHERWISE STATED.



VACUUM CONNECTOR
SCALE 1:2



SECTION A-A



TOLERANCES UNLESS SPECIFIED:
DECIMAL INCHES:
X = ±.020
XX = ±.010
XXX = ±.005
FRACTIONAL ±/64"
ANGLES ±1 DEGREE
SURFACES 32/

CLASS: DDGT 241

ASSIGNMENT #: 08

AUTOCAD DRAWING NAME:
ROBOTIC ARM

FIG #: 1058

MANAGER: G. STROMMEN

DRAFTER: A. MOSTAFA

DATE: 2/28/2024

SCALE: AS NOTED

PAGE #: 4 OF 5

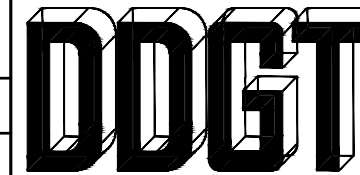
Ahmed Drafting
Ahmed Mostafa - Drafter
Phone: (707) 492-7406
omarmostafa74@yahoo.com
http://ddgt.net/StudentPages/amostafa

LEGEND:

- ∅ DIAMETER
- R RADIUS
- DEGREES
- | SPOTFACE/COUNTERBORE
- ∇ DEPTH

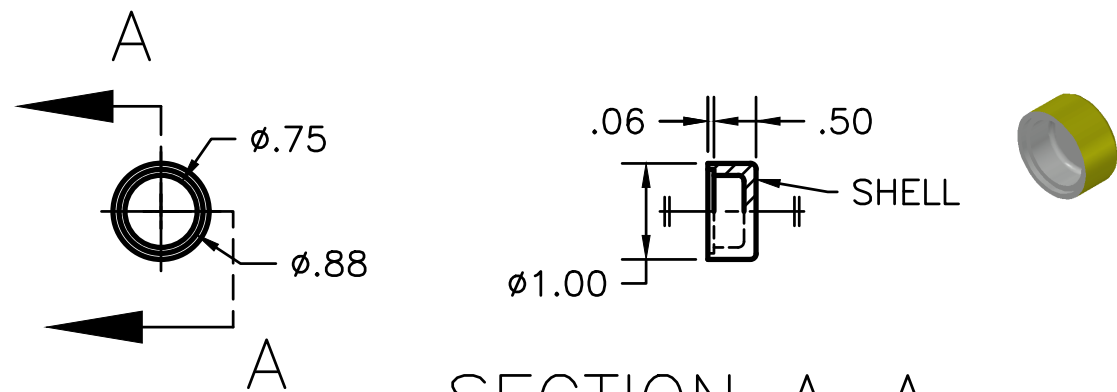
PARTS LIST

| ITEM | QTY | PART NAME |
|------|-----|------------|
| 6 | 1 | VACUUM CUP |
| 7 | 1 | BASE CAP |
| 8 | 1 | ELBOW CAP |
| 9 | 1 | VACUUM CAP |

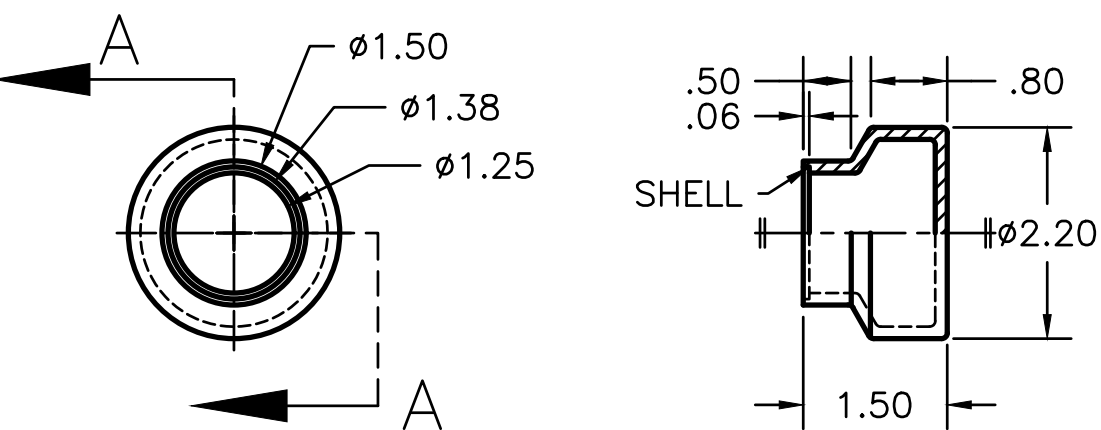


DIGITAL DESIGN
GRAPHICS
TECHNOLOGY

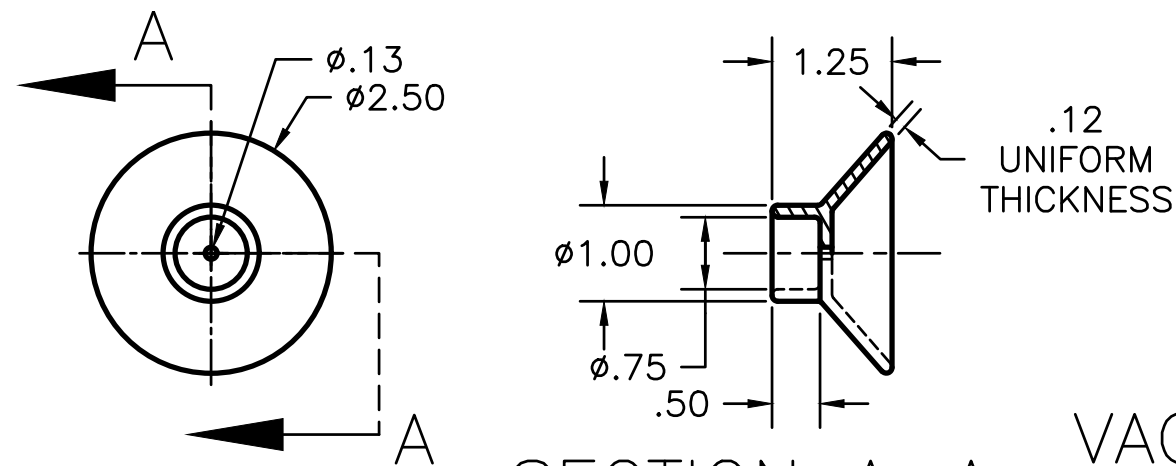
WWW.DDGT.NET



SECTION A-A
ELBOW CAP
SCALE 1:2



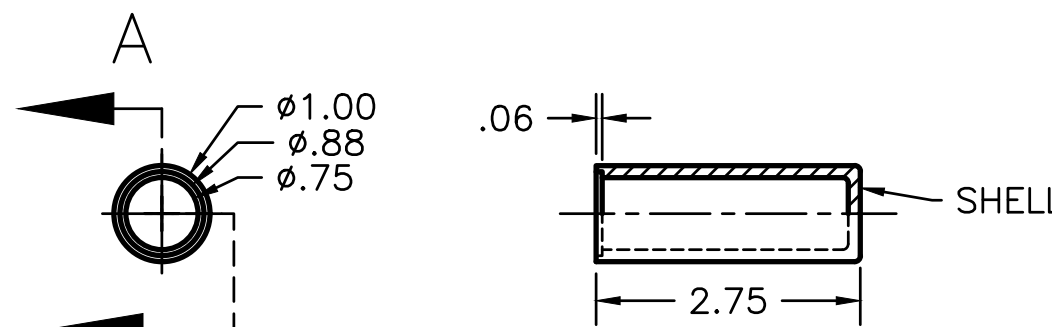
SECTION A-A
BASE CAP
SCALE 1:2



SECTION A-A
VACUUM CUP
SCALE 1:2

GENERAL NOTES:

ALL FILLETS AND ROUNDS .06" UNLESS OTHERWISE STATED.
ALL CHAMFERS .02" X 45° UNLESS OTHERWISE STATED.
ALL SHELLS ARE .13" UNIFORM THICKNESS UNLESS OTHERWISE STATED.



SECTION A-A
VACUUM CAP
SCALE 1:2

Ahmed Drafting
Ahmed Mostafa - Drafter
Phone: (707) 492-7406
omarmostafa74@yahoo.com
http://ddgt.net/StudentPages/amostafa

TOLERANCES UNLESS SPECIFIED:
DECIMAL INCHES:
X = ±.020
XX = ±.010
XXX = ±.005
FRACTIONAL ±/64"
ANGLES ±1 DEGREE
SURFACES 32/

CLASS: DDGT 241

ASSIGNMENT #: 08

AUTOCAD DRAWING NAME:
ROBOTIC ARM

FIG #: 1058

MANAGER: G. STROMMEN

DRAFTER: A. MOSTAFA

DATE: 2/28/2024

SCALE: AS NOTED

PAGE #: 5 OF 5