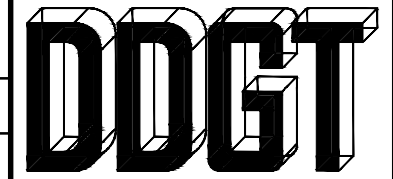


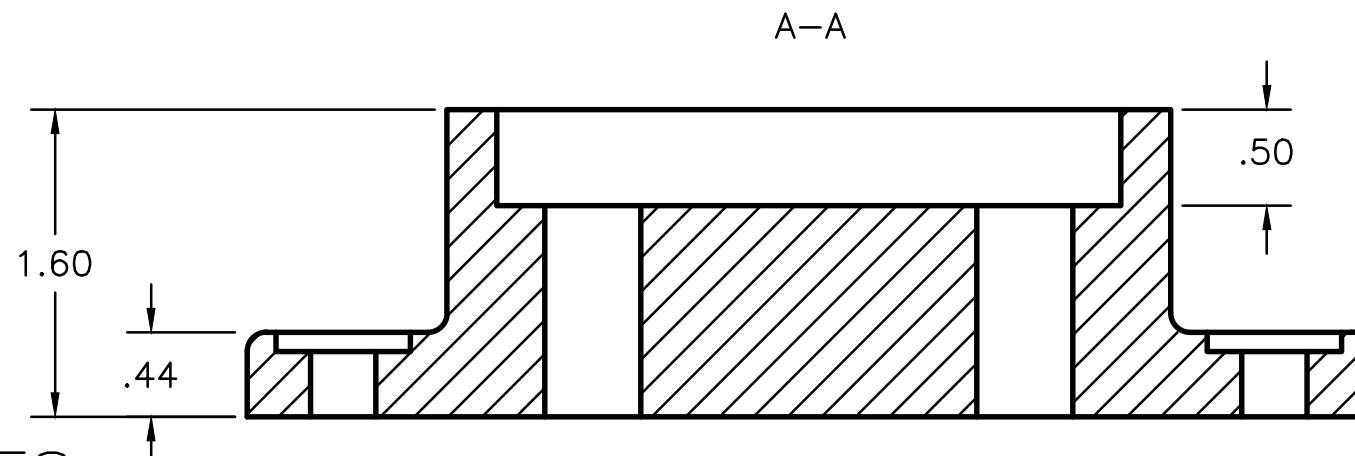
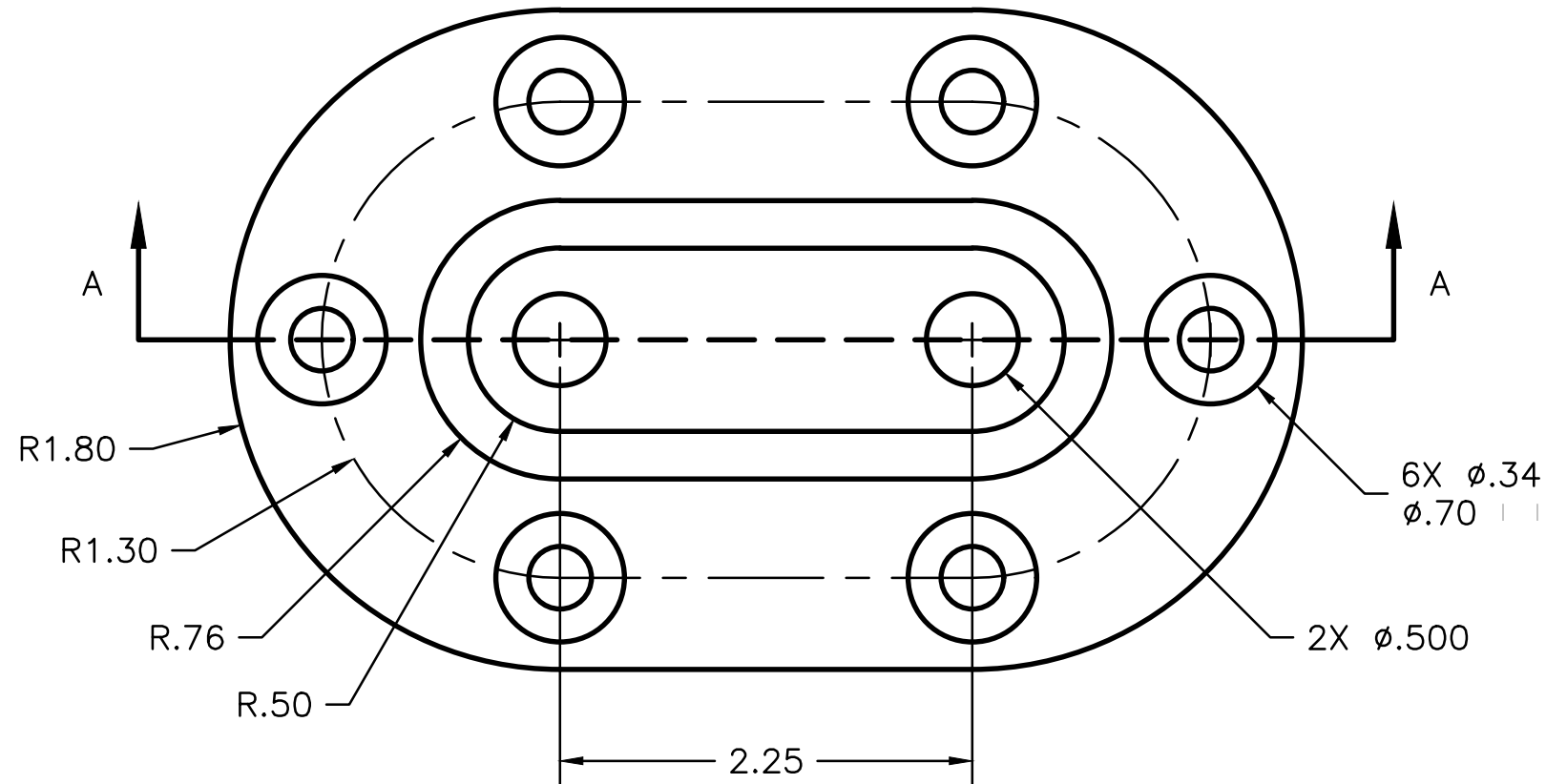
PARTS LIST

ITEM	QTY	PART NAME	MATERIAL
1	1	SHAFT BASE	MALLEABLE IRON



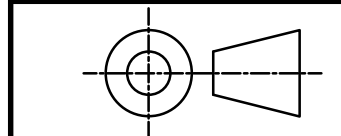
DIGITAL DESIGN
GRAPHICS
TECHNOLOGY

WWW.DDGT.NET



GENERAL NOTES:
ROUNDS AND FILLETS R .10

LEGEND:
 ϕ DIAMETER
 R RADIUS
 ° DEGREES
 || SPOTFACE



TOLERANCES UNLESS SPECIFIED:
 DECIMAL INCHES:
 X = ± 0.020
 XX = ± 0.010
 XXX = ± 0.005
 FRACTIONAL $\pm 1/64$ "
 ANGLES ± 1 DEGREE
 SURFACES $32/$

CLASS: DDGT 120

ASSIGNMENT #: 56

AUTOCAD DRAWING NAME:
SHAFT BASE

FIG #: 9-35

MANAGER: G. STROMMEN

DRAFTER: A. MOSTAFA

DATE: 10/11/2022

SCALE: 1:1

PAGE #: 1 OF 1