

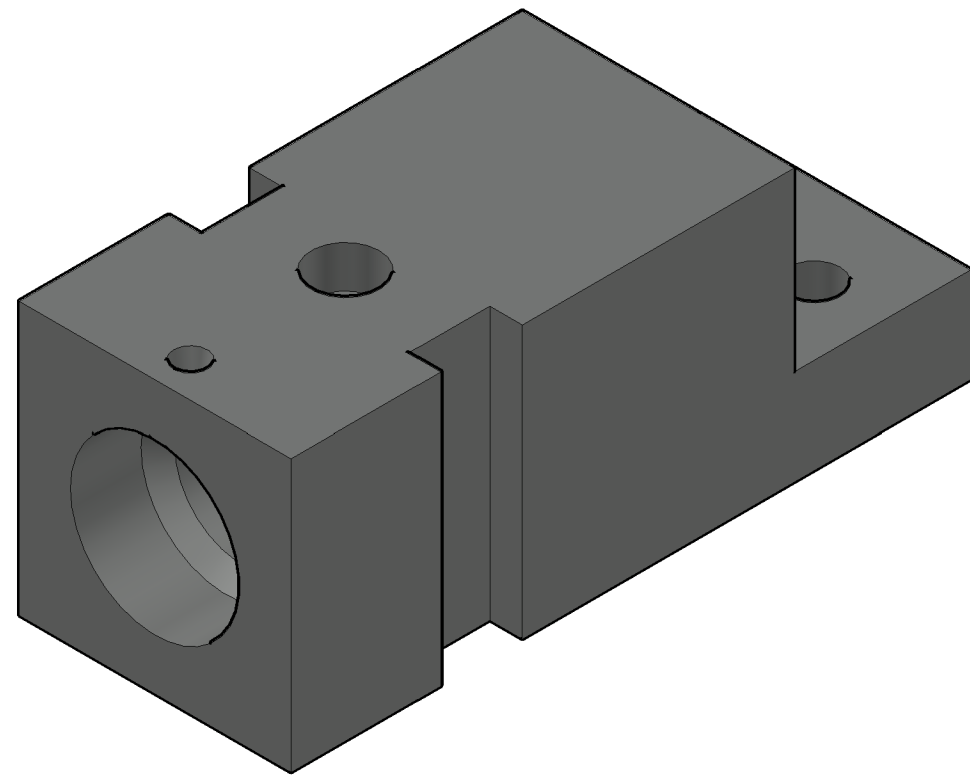
PARTS LIST

ITEM	QTY	PART NAME	MATERIAL
1	1	CASING	SAE 1012

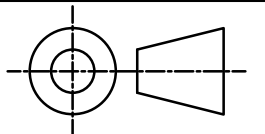


DIGITAL DESIGN
GRAPHICS
TECHNOLOGY

WWW.DDGT.NET



CASING 3D VIEW



TOLERANCES UNLESS SPECIFIED:
DECIMAL INCHES:
X = ±.020
XX = ±.010
XXX = ±.005
FRACTIONAL ±'/64"
ANGLES ±1 DEGREE
SURFACES 32/

CLASS: DDGT 120

ASSIGNMENT #: 57

AUTOCAD DRAWING NAME:

CASING

FIG #: 9-39

MANAGER: G. STROMMEN

DRAFTER: A. MOSTAFA

DATE: 4/10/2023

SCALE: 1:1

PAGE #: 1 OF 3

LEGEND:

- ∅ DIAMETER
- R RADIUS
- ° DEGREES
- | | COUNTERBORE
- ∇ DEPTH

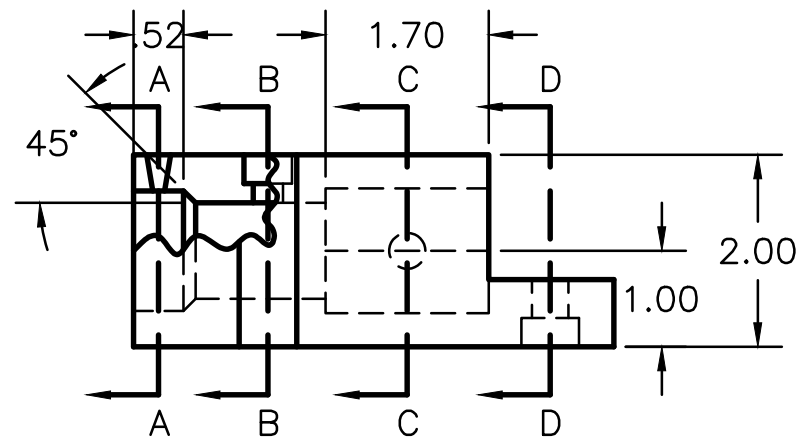
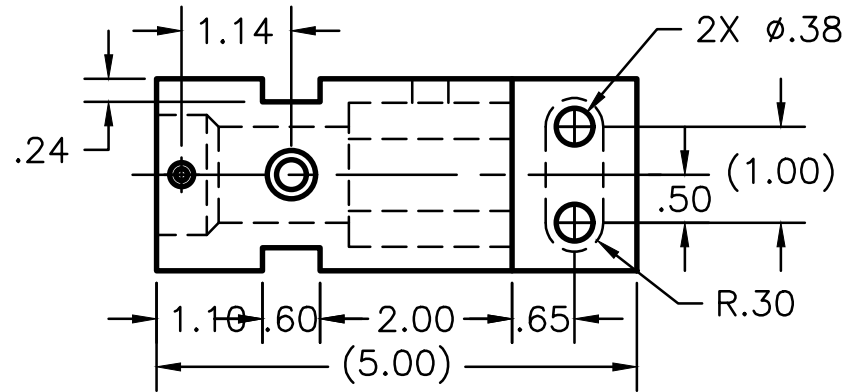
PARTS LIST

ITEM	QTY	PART NAME	MATERIAL
1	1	CASING	SAE 1012

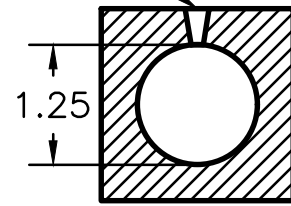


DIGITAL DESIGN
GRAPHICS
TECHNOLOGY

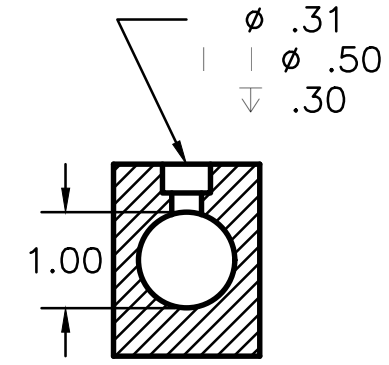
WWW.DDGT.NET



HOLE FOR #4 TAPER PIN

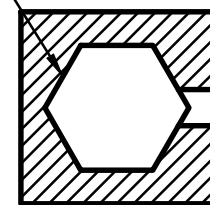


A-A

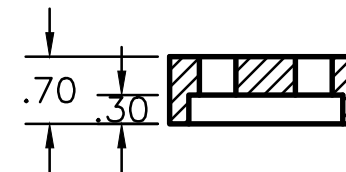


B-B

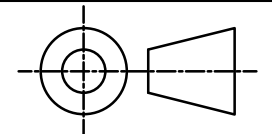
HEX 1.50 ACROSS CORNERS
ø .375
FAR SIDE ONLY



C-C



D-D



TOLERANCES UNLESS SPECIFIED:
DECIMAL INCHES:
X = ±.020
XX = ±.010
XXX = ±.005
FRACTIONAL ±'/64"
ANGLES ±1 DEGREE
SURFACES 32/

CLASS: DDGT 120

ASSIGNMENT #: 57

AUTOCAD DRAWING NAME:
CASING

FIG #: 9-39

MANAGER: G. STROMMEN

DRAFTER: A. MOSTAFA

DATE: 4/10/2023

SCALE: 1:2

PAGE #: 2 OF 3

LEGEND:

- ø DIAMETER
- R RADIUS
- ° DEGREES
- | | COUNTERBORE
- ∇ DEPTH

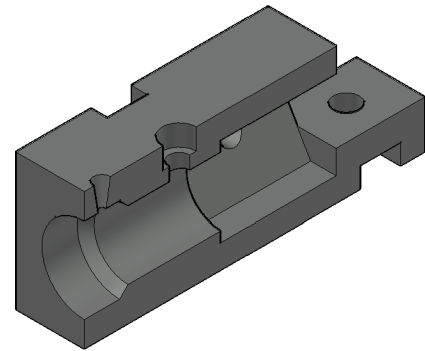
PARTS LIST

ITEM	QTY	PART NAME	MATERIAL
1	1	CASING	SAE 1012

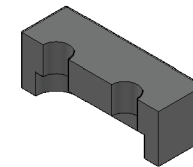


DIGITAL DESIGN
GRAPHICS
TECHNOLOGY

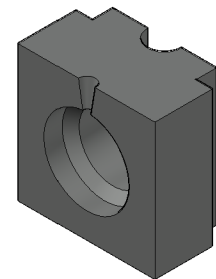
WWW.DDGT.NET



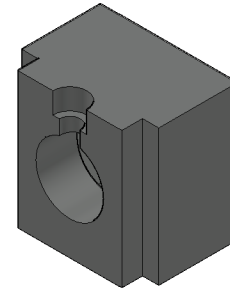
CASING 1/4 SECTION



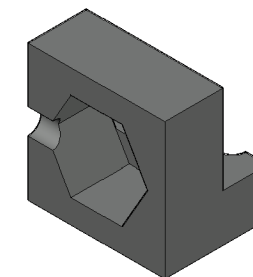
CASING SECTION D-D



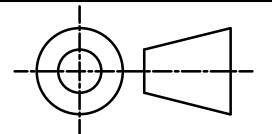
CASING SECTION A-A



CASING SECTION B-B



CASING SECTION C-C



TOLERANCES UNLESS SPECIFIED:
DECIMAL INCHES:
X = ±.020
XX = ±.010
XXX = ±.005
FRACTIONAL ±'/64"
ANGLES ±1 DEGREE
SURFACES 32/

CLASS: DDGT 120

ASSIGNMENT #: 57

AUTOCAD DRAWING NAME:

CASING

FIG #: 9-39

MANAGER: G. STROMMEN

DRAFTER: A. MOSTAFA

DATE: 4/10/2023

SCALE: 1:2

PAGE #: 3 OF 3