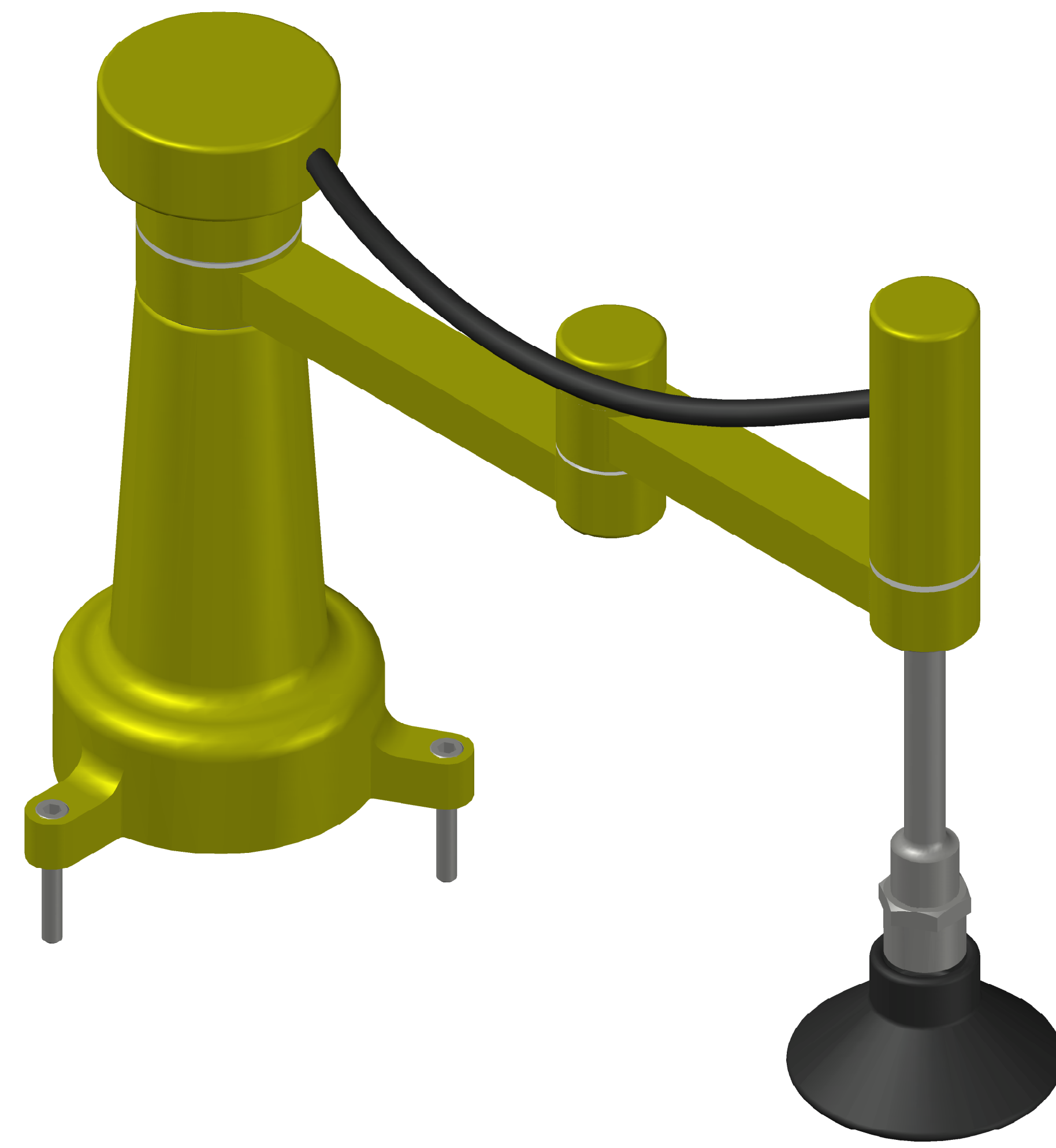


PARTS LIST

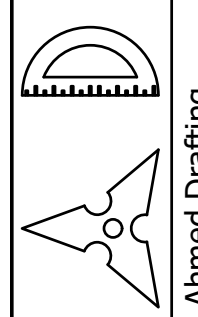
ITEM	QTY	PART NAME	MATERIAL	DESCRIPTION
1	1	BASE 01	ALUMINUM	PAINT FINISH
2	1	ARM 01	ALUMINUM	PAINT FINISH
3	1	ARM 02	ALUMINUM	PAINT FINISH
4.1	1	SLIDING TUBE	STEEL	
4.2	1	SLIDING TUBE END	STEEL	
5	1	VACUUM CONNECTOR	STEEL	
6	1	VACUUM CUP	RUBBER	
7	1	BASE CAP	ALUMINUM	
8	1	ELBOW CAP	ALUMINUM	
9	1	VACUUM CAP	ALUMINUM	
10	3	CAP SCREW	STEEL	1 1/4" 10-36 UNC 1.25" LG
11	1	VACUUM LINE	RUBBER	O.D.Ø1.25", I.D.Ø.825", LENGTH 8.50"



ROBOTIC ARM ASSEMBLED  
SCALE 1:1

LEGEND:

- ∅ DIAMETER
- R RADIUS
- DEGREES
- | SPOTFACE/COUNTERBORE
- ∇ DEPTH



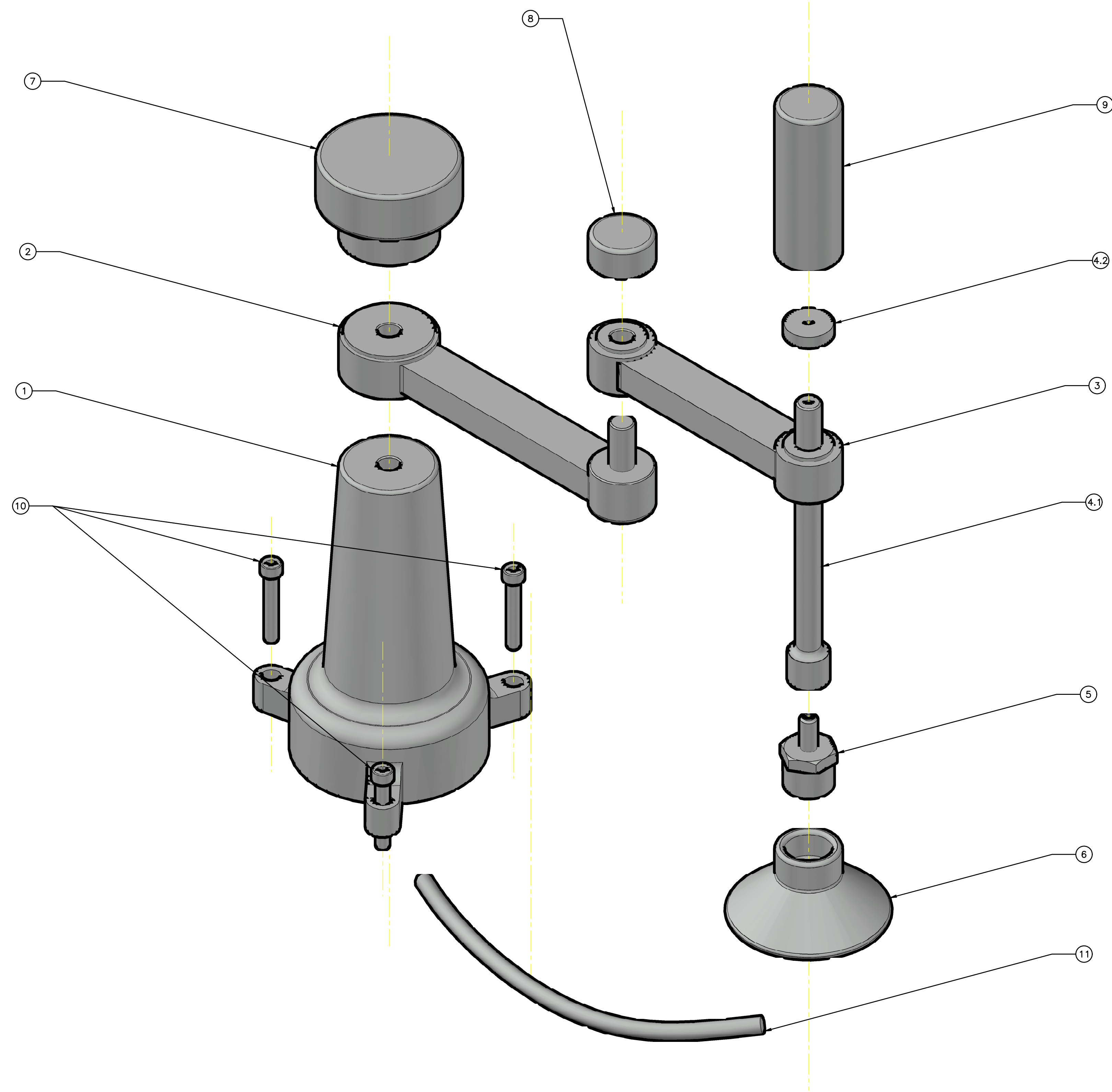
Ahmed Drafting  
Ahmed Mostafa - Drafter  
Phone: (707) 492-7406  
amarmostafa74@yahoo.com  
http://ddgt.net/StudentPages/amostafa

TOLERANCES UNLESS SPECIFIED:  
DECIMAL INCHES:  
X = ±.020  
XX = ±.010  
XXX = ±.005  
FRACTIONAL: ±7/64"  
ANGLES ±1 DEGREE  
SURFACES 3/32"

REV	DATE	DESCRIPTION	APPROVED	SHEET
4	2/23/2024	CHANGED SLIDING TUBE TOTAL LENGTH FROM 4.19" TO 5.19"	G. STROMMEN	3
3	2/22/2024	CHANGED ARM 02 LENGTH FROM 3.50" TO 4.00"	G. STROMMEN	3
2	2/21/2024	CHANGED ARM 01 LENGTH FROM 4.50" TO 5.00"	G. STROMMEN	3
1	2/20/2024	CHANGED BASE 01 LENGTH FROM 3.00" TO 4.00"	G. STROMMEN	3

REVISION TABLE

CLASS:	DDGT 241
ASSIGNMENT #:	09
AUTOCAD DRAWING NAME:	ROBOTIC ARM
FIG #:	1058
MANAGER:	G. STROMMEN
DRAFTER:	A. MOSTAFA
DATE:	2/28/2024
SCALE:	AS NOTED
PAGE #:	1 OF 4



ROBOTIC ARM ASSEMBLY EXPLODED  
SCALE 1:1

PARTS LIST		
ITEM	QTY	PART NAME
1	1	BASE_01
2	1	ARM_01
3	1	ARM_02
4.1	1	SLIDING TUBE
4.2	1	SLIDING TUBE END
5	1	VACUUM CONNECTOR
6	1	VACUUM CUP
7	1	BASE CAP
8	1	ELBOW CAP
9	1	VACUUM CAP
10	3	CAP SCREW
11	1	VACUUM LINE

**DDGT**  
DIGITAL DESIGN  
GRAPHICS  
TECHNOLOGY  
WWW.DDGT.NET

GENERAL NOTES:  
ALL FILLETS AND  
ROUNDS .06"  
UNLESS OTHERWISE  
STATED.  
ALL CHAMFERS .02"  
X 45° UNLESS  
OTHERWISE STATED.  
ALL SHELLS ARE  
.13" UNIFORM  
THICKNESS UNLESS  
OTHERWISE STATED.

Ahmed Drafting  
Ahmed Mostafa - Drafter  
Phone: (707) 492-7406  
omarmostafa74@yahoo.com  
http://ddgt.net/StudentPages/amostafa

TOLERANCES UNLESS SPECIFIED:  
DECIMAL INCHES:  
X = ±.020  
XX = ±.010  
XXX = ±.005  
FRACTIONAL: ±1/64"  
ANGLES ±1 DEGREE  
SURFACES  $\sqrt{R}$

CLASS: DDGT 241  
ASSIGNMENT #: 09  
AUTOCAD DRAWING NAME: ROBOTIC ARM  
FIG #: 1058  
MANAGER: G. STROMMEN  
DRAFTER: A. MOSTAFA  
DATE: 2/28/2024  
SCALE: AS NOTED  
PAGE #: 2 OF 4

**LEGEND:**  
∅ DIAMETER  
R RADIUS  
° DEGREES  
| SPOTFACE/COUNTERBORE  
↓ DEPTH

PARTS LIST

ITEM	QTY	PART NAME
1	1	BASE 01
2	1	ARM 01
3	1	ARM 02
4.1	1	SLIDING TUBE
4.2	1	SLIDING TUBE END

LEGEND:

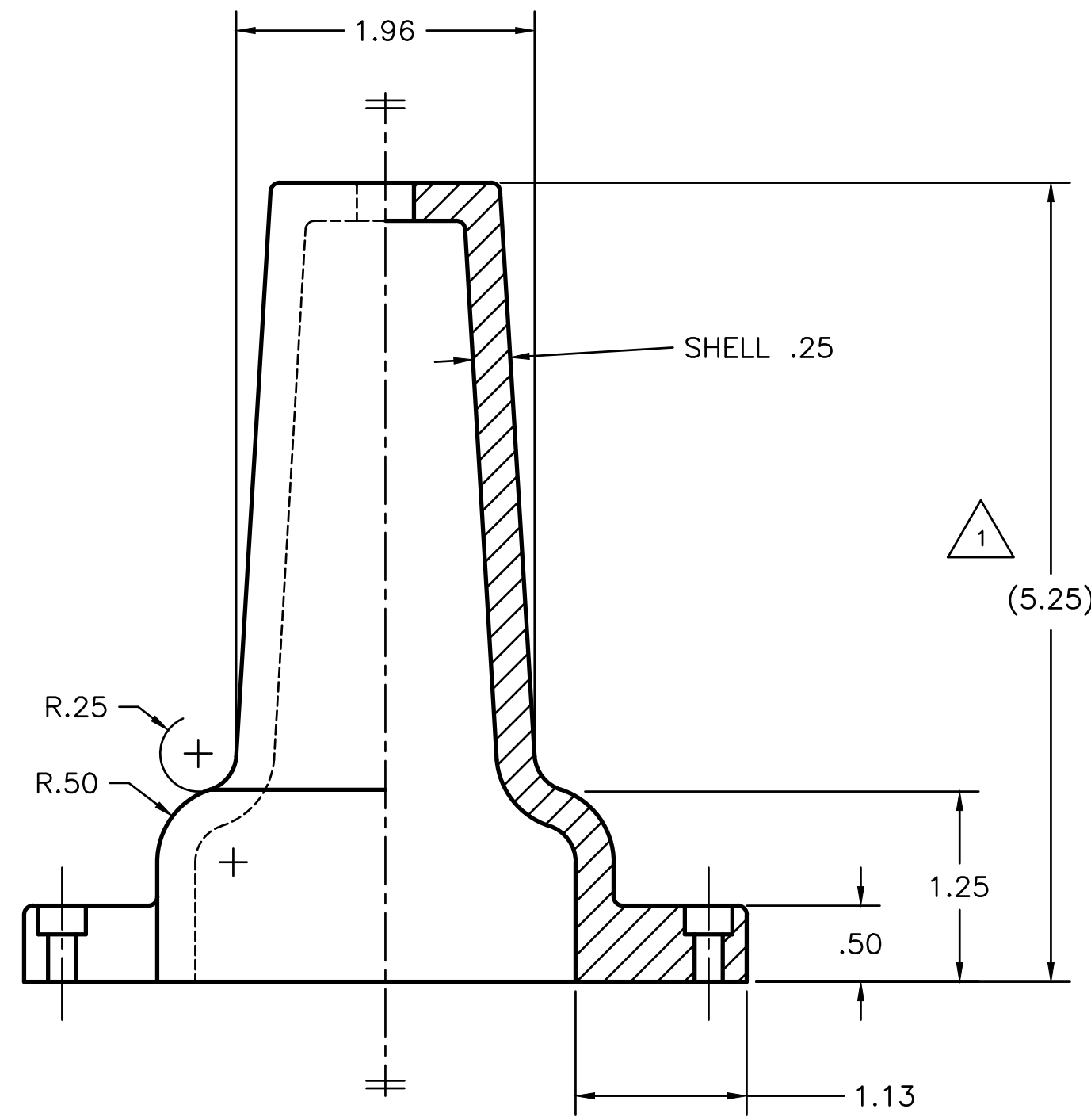
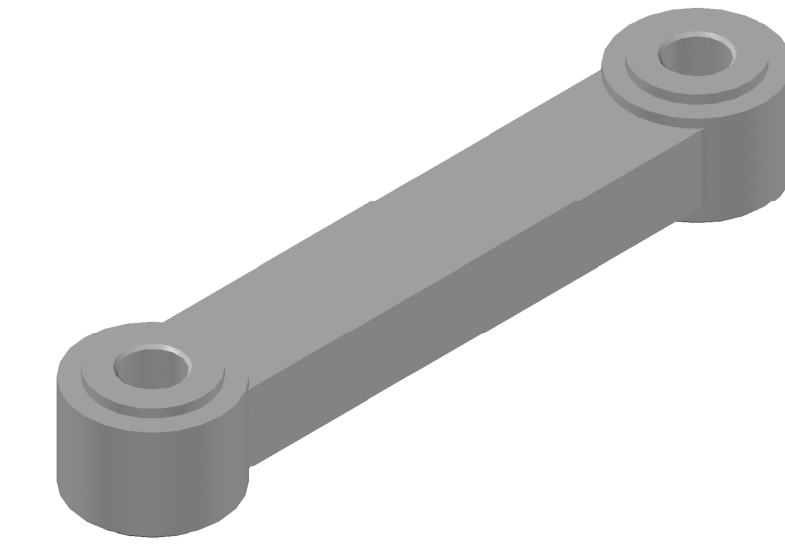
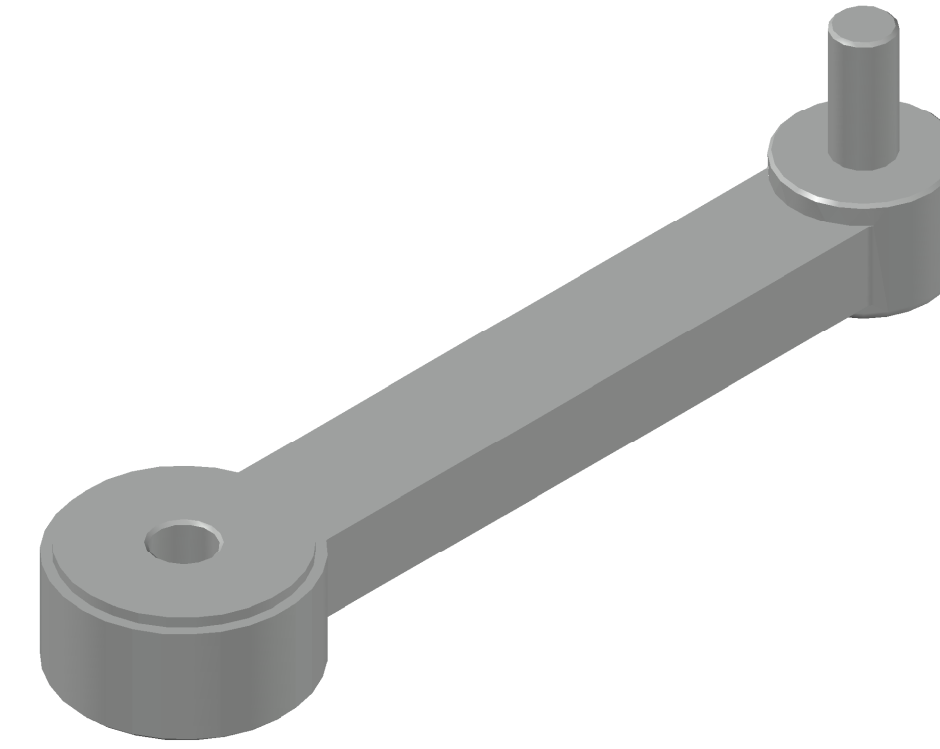
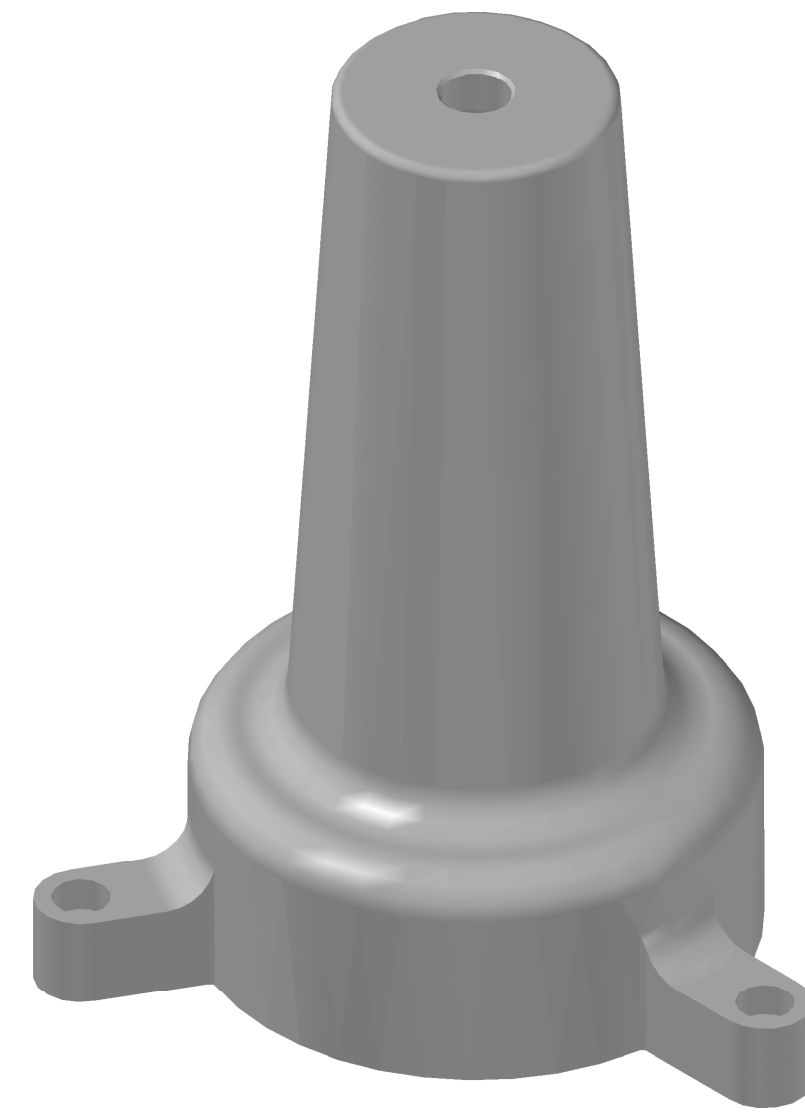
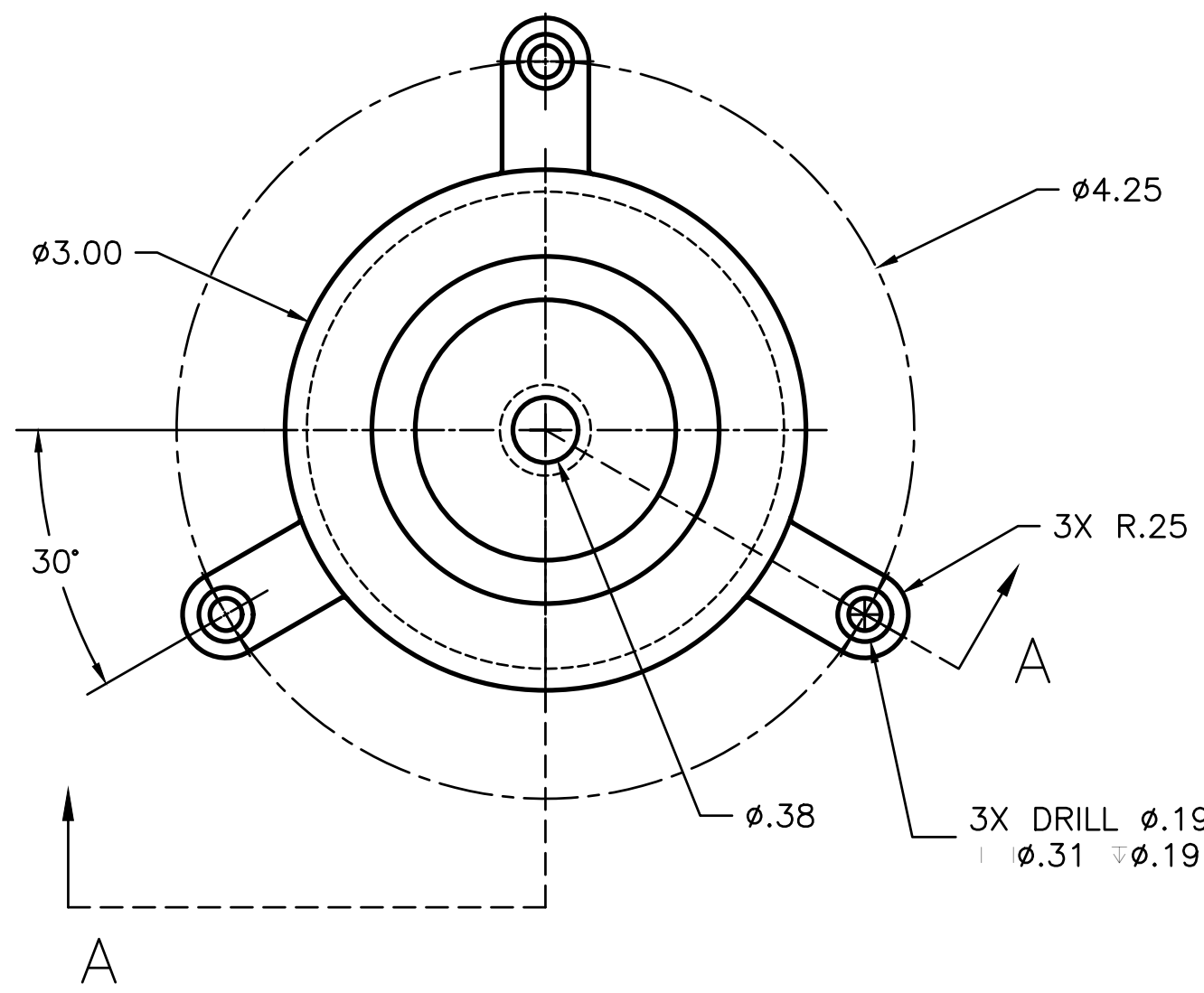
- ∅ DIAMETER
- R RADIUS
- ° DEGREES
- | SPOTFACE/COUNTERBORE
- ▽ DEPTH

GENERAL NOTES:

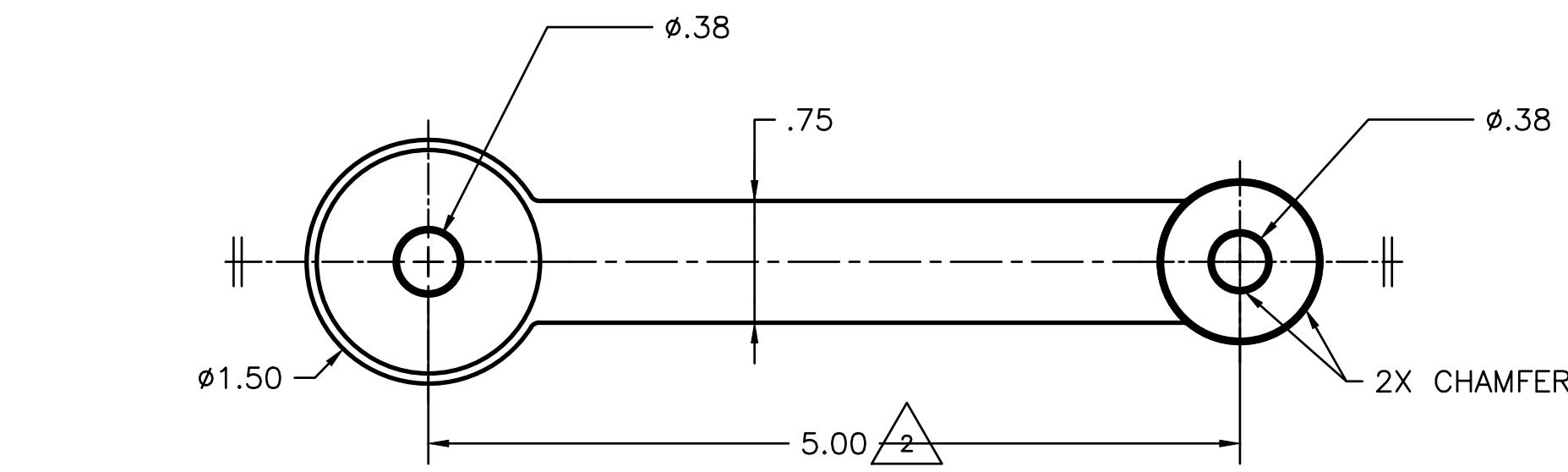
ALL FILLETS AND ROUNDS .06" UNLESS OTHERWISE STATED.

ALL CHAMFERS .02" X 45° UNLESS OTHERWISE STATED.

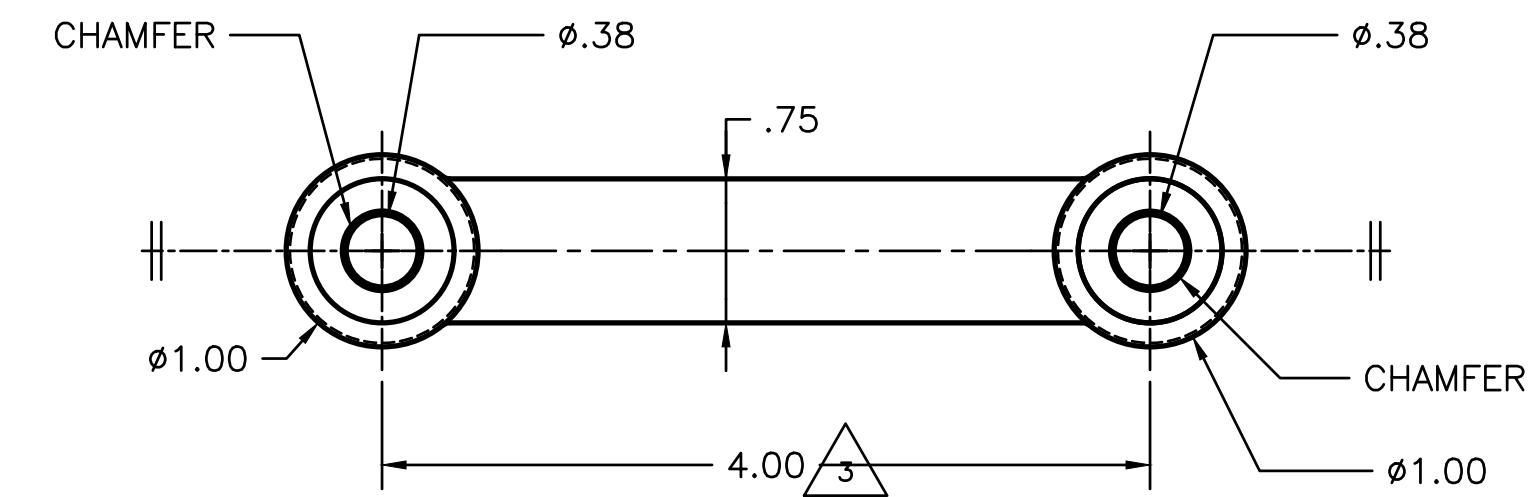
ALL SHELLS ARE .13" UNIFORM THICKNESS UNLESS OTHERWISE STATED.



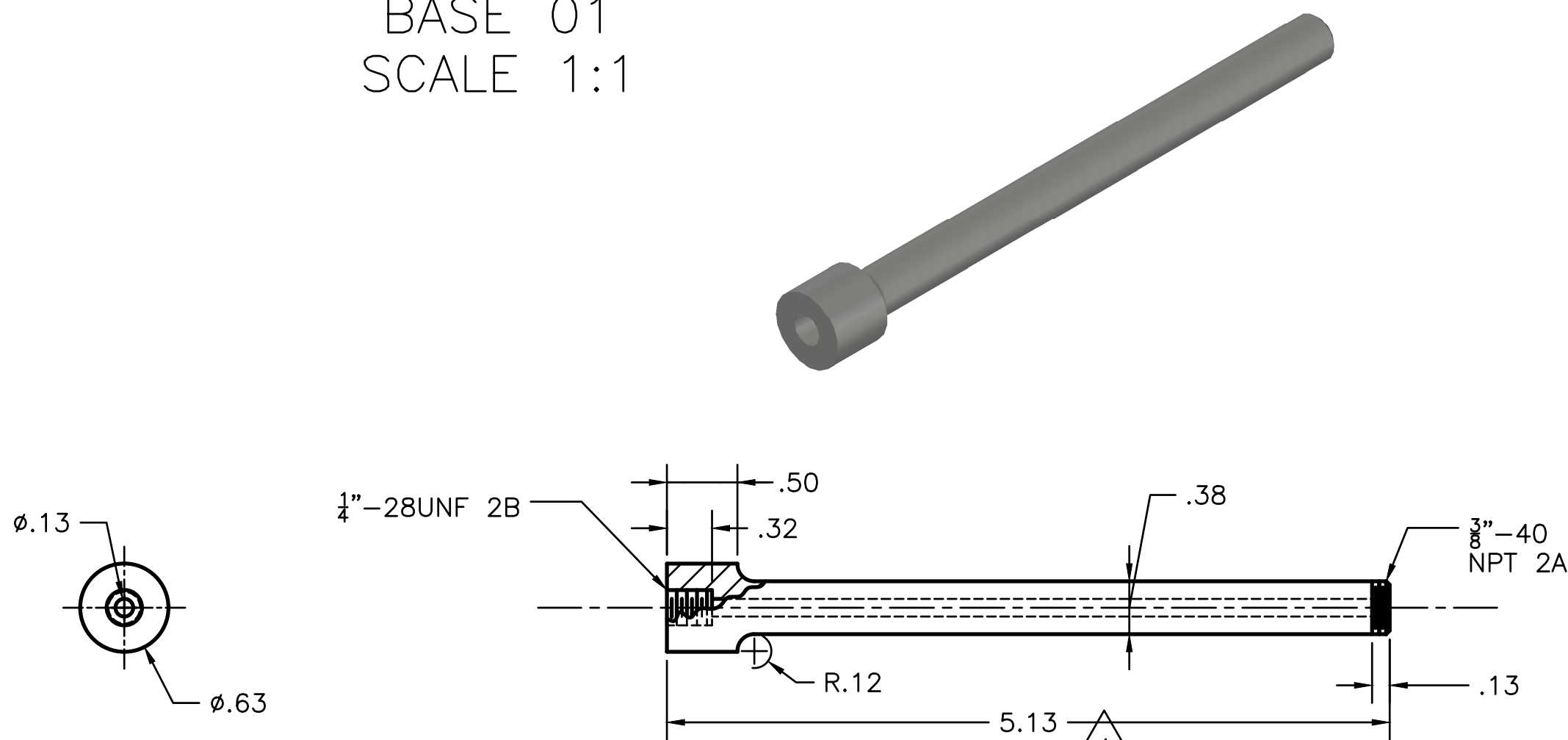
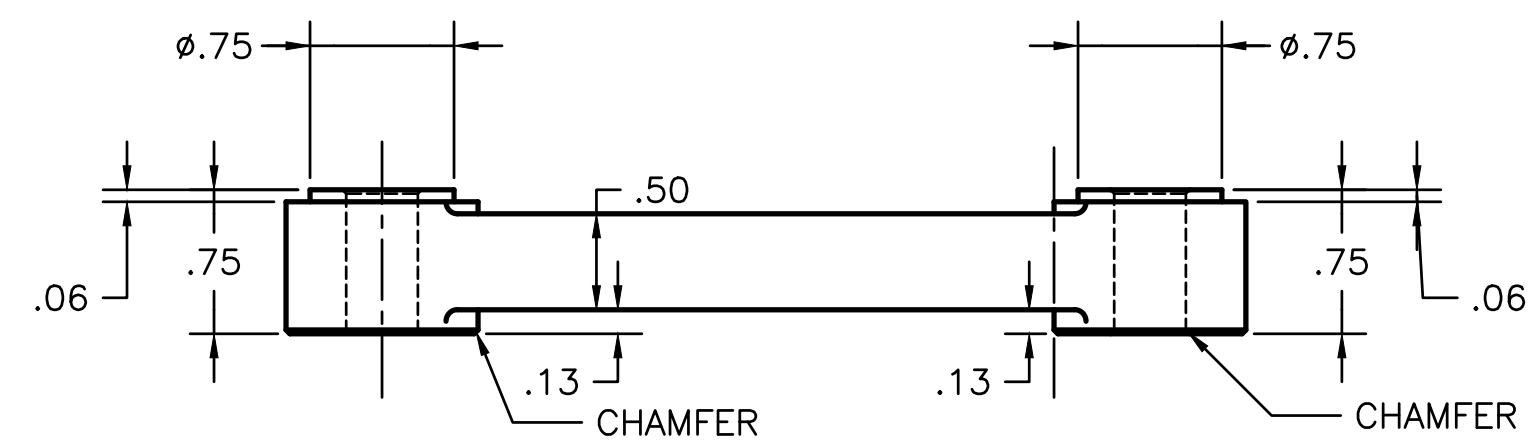
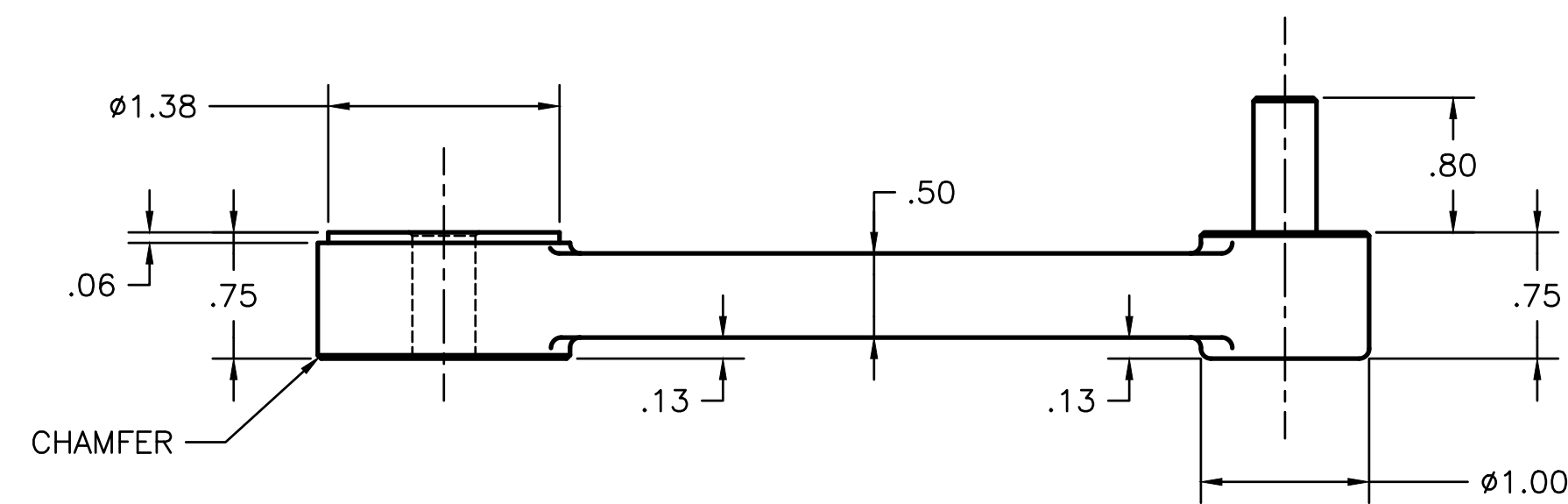
SECTION A-A  
BASE 01  
SCALE 1:1



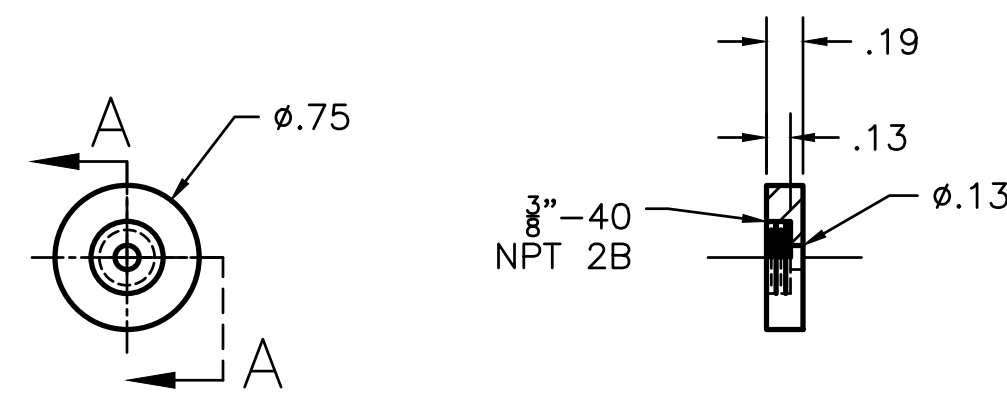
ARM 01  
SCALE 1:1



ARM 02  
SCALE 1:1



SLIDING TUBE  
SCALE 1:1

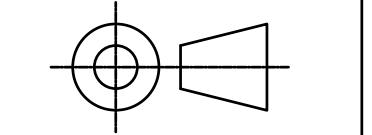


SLIDING TUBE END  
SCALE 1:1

REV	DATE	DESCRIPTION	APPROVED	SHEET
4	2/23/2024	CHANGED SLIDING TUBE TOTAL LENGTH FROM 4.19" TO 5.19"	G. STROMMEN	3
3	2/22/2024	CHANGED ARM 02 LENGTH FROM 3.50" TO 4.00"	G. STROMMEN	3
2	2/21/2024	CHANGED ARM 01 LENGTH FROM 4.50" TO 5.00"	G. STROMMEN	3
1	2/20/2024	CHANGED BASE 01 LENGTH FROM 3.00" TO 4.00"	G. STROMMEN	3

REVISION TABLE

Ahmed Drafting  
Ahmed Mostafa - Drafter  
Phone: (707) 492-7406  
omarmostafa74@yahoo.com  
http://ddgt.net/StudentPages/amostafa



TOLERANCES UNLESS SPECIFIED:  
DECIMAL INCHES:  
X = ±.020  
XX = ±.010  
XXX = ±.005  
FRACTIONAL: ±1/64"  
ANGLES ±1 DEGREE  
SURFACES 3/32"

CLASS: DDGT 241  
ASSIGNMENT #: 09  
AUTOCAD DRAWING NAME: ROBOTIC ARM  
FIG #: 1058  
MANAGER: G. STROMMEN  
DRAFTER: A. MOSTAFA  
DATE: 2/28/2024  
SCALE: AS NOTED  
PAGE #: 3 OF 4

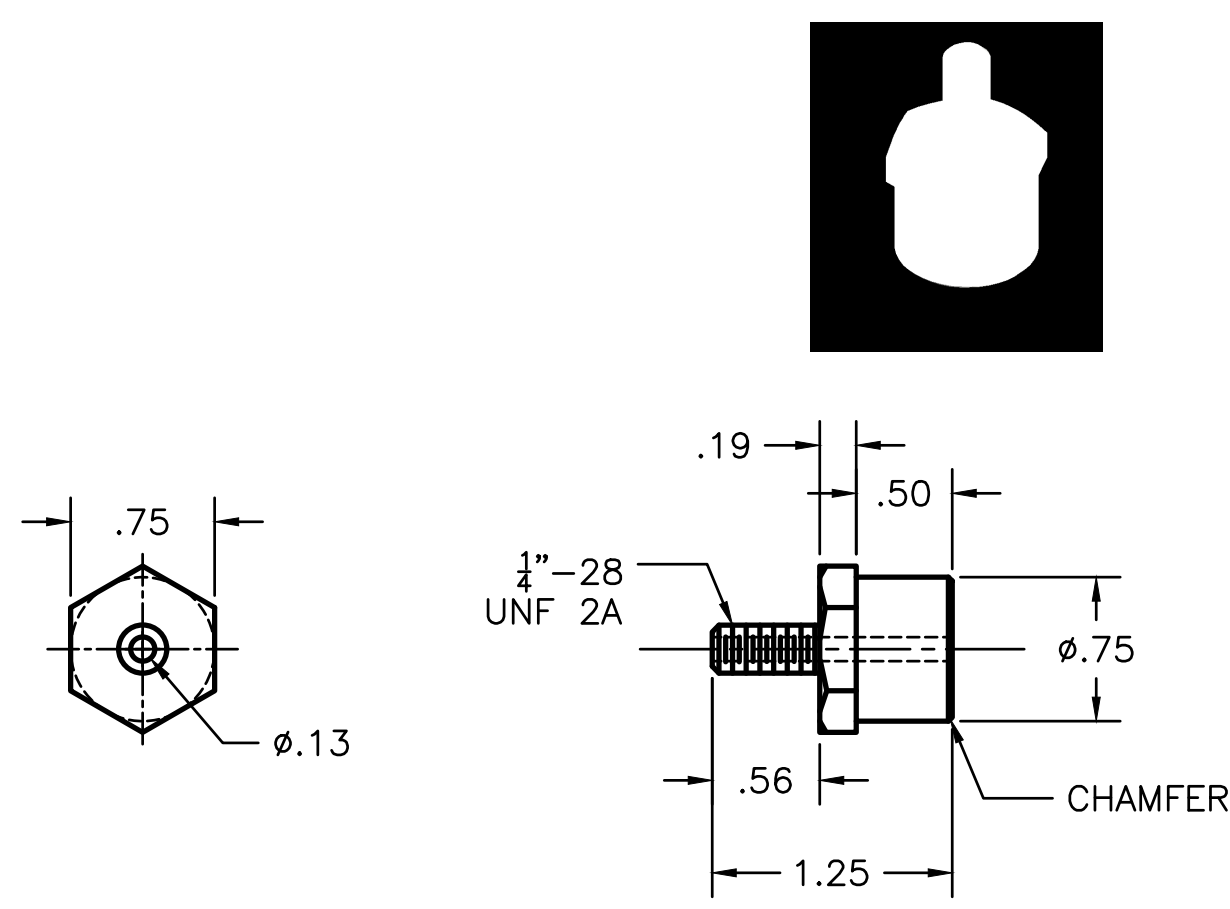


PARTS LIST		
ITEM	QTY	PART NAME
5	1	VACUUM CONNECTOR
6	1	VACUUM CUP
7	1	BASE CAP
8	1	ELBOW CAP
9	1	VACUUM CAP

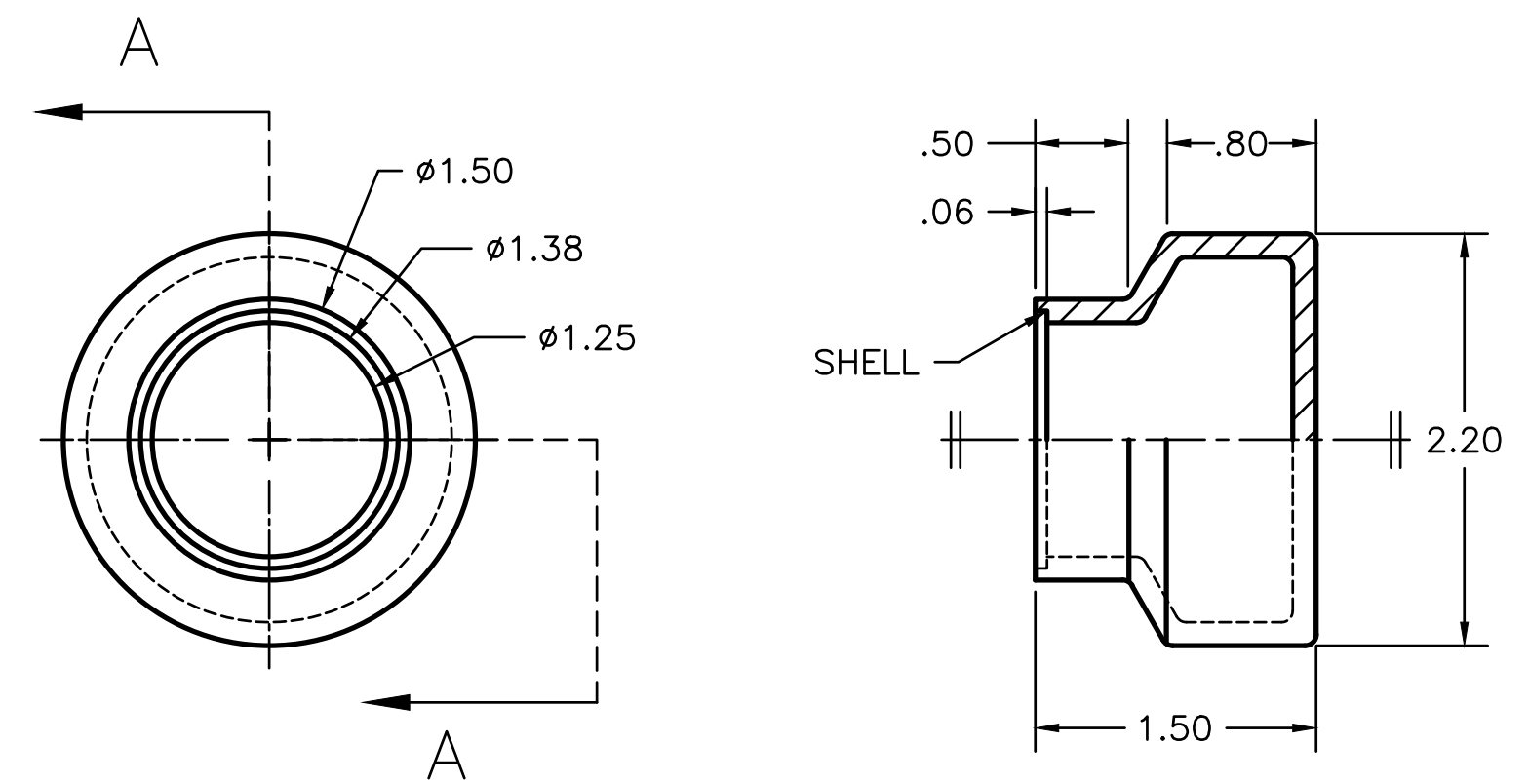
GENERAL NOTES:  
ALL FILLETS AND ROUNDS .06" UNLESS OTHERWISE STATED.

ALL CHAMFERS .02" X 45° UNLESS OTHERWISE STATED.

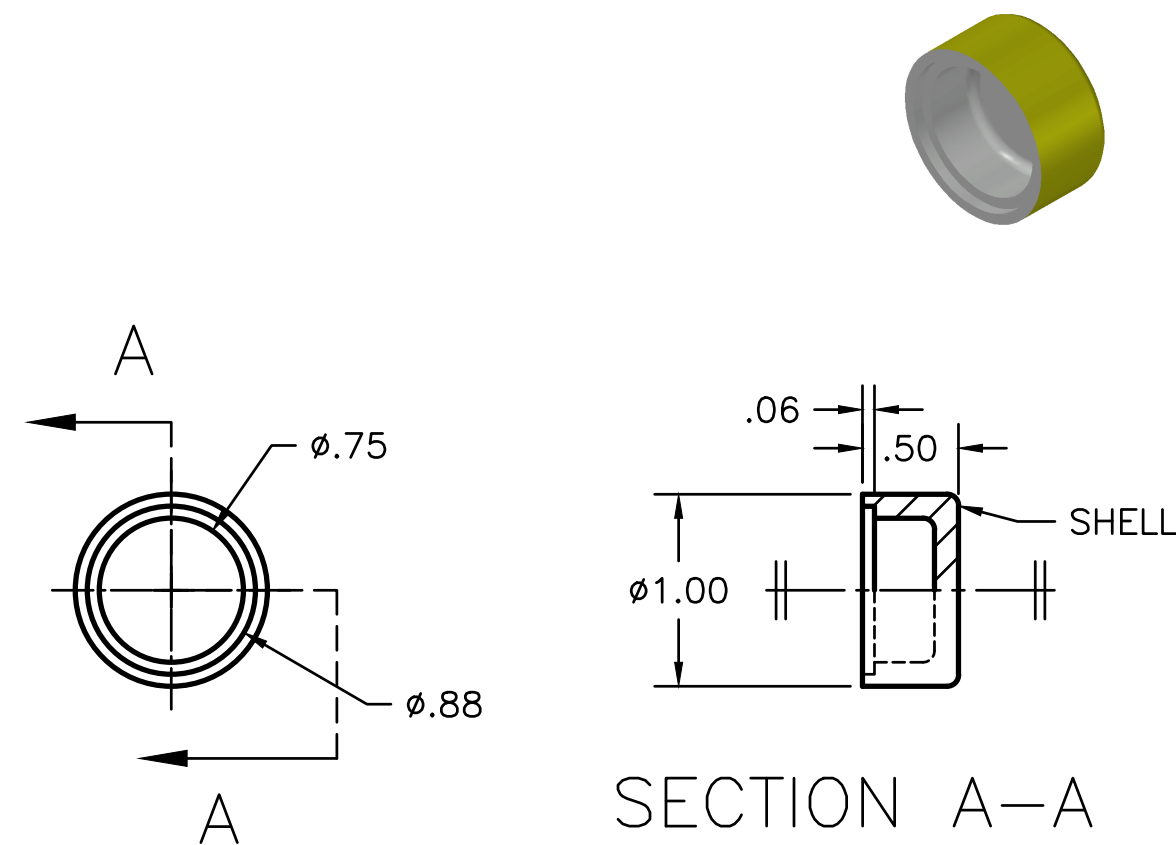
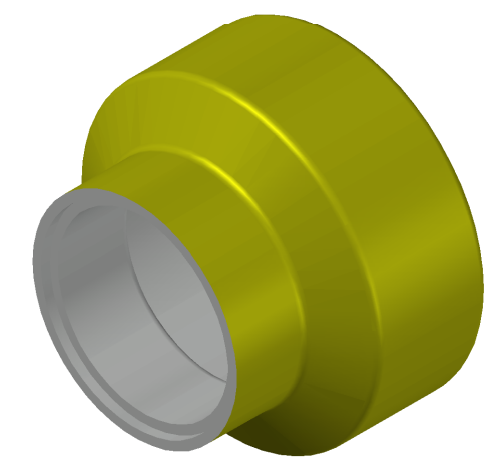
ALL SHELLS ARE .13" UNIFORM THICKNESS UNLESS OTHERWISE STATED.



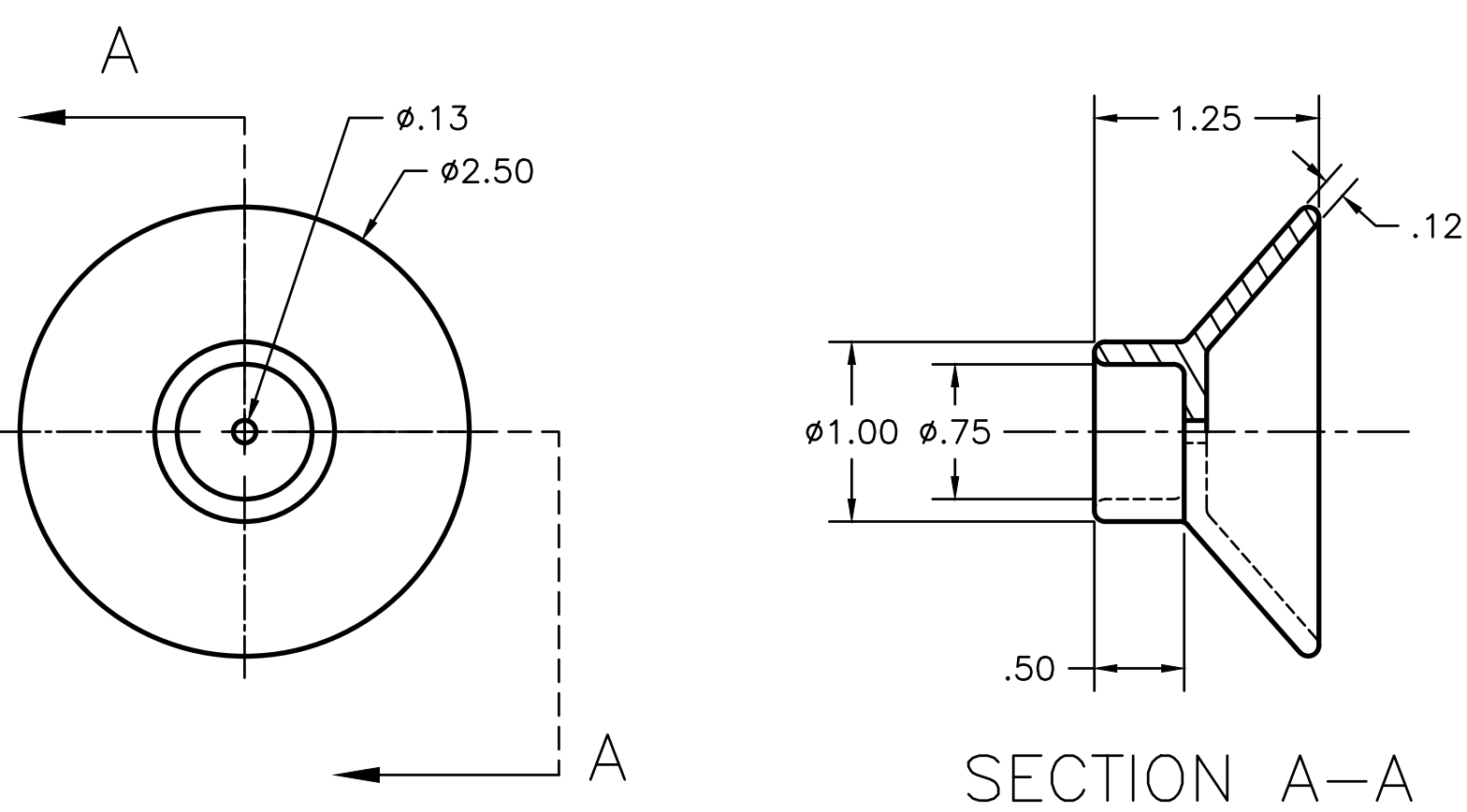
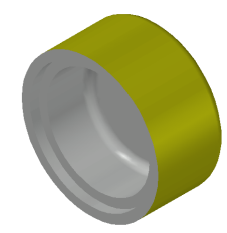
VACUUM CONNECTOR  
SCALE 1:1



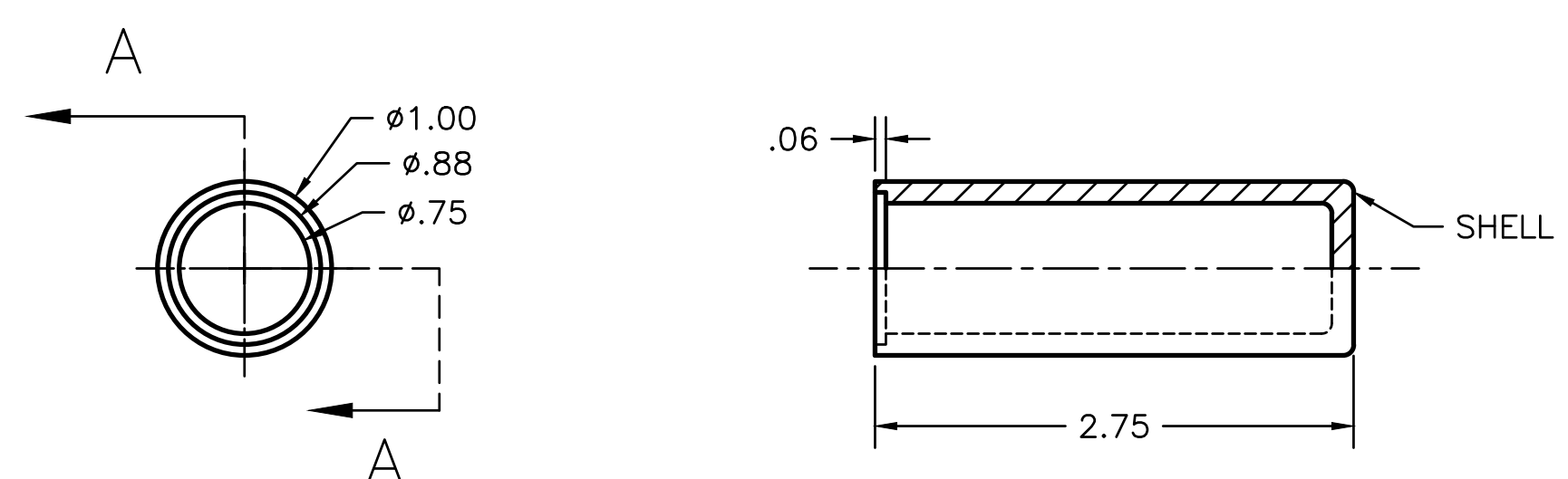
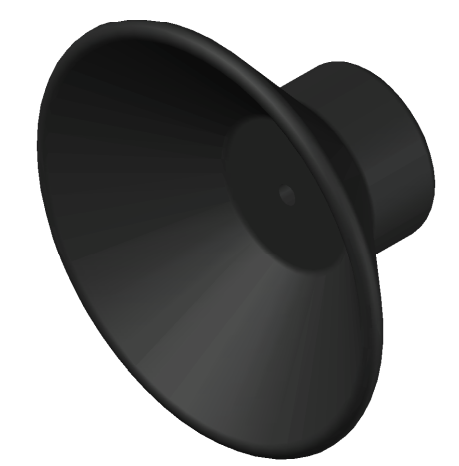
SECTION A-A  
BASE CAP  
SCALE 1:1



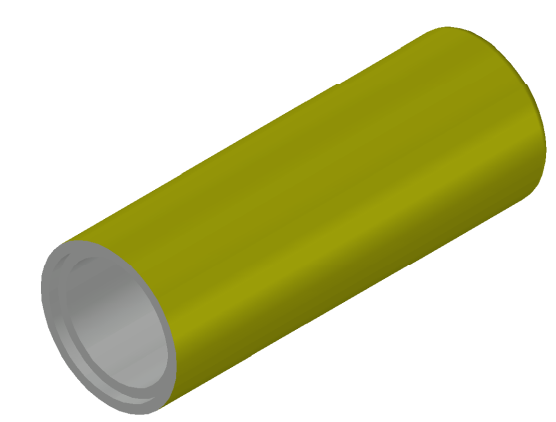
SECTION A-A  
ELBOW CAP  
SCALE 1:1



SECTION A-A  
VACUUM CUP  
SCALE 1:1

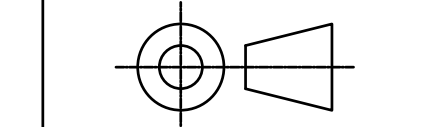


SECTION A-A  
VACUUM CAP  
SCALE 1:1



**LEGEND:**  
 ø DIAMETER  
 R RADIUS  
 ° DEGREES  
 | SPOTFACE/COUNTERBORE  
 ∇ DEPTH

Ahmed Drafting  
 Ahmed Mostafa - Drafter  
 Phone: (707) 492-7406  
 amarmostafa74@yahoo.com  
 http://ddgt.net/StudentPages/amostafa



TOLERANCES UNLESS SPECIFIED:  
 DECIMAL INCHES:  
 X = ±.020  
 XX = ±.010  
 XXX = ±.005  
 FRACTIONAL: ±1/64"  
 ANGLES ±1 DEGREE  
 SURFACES ±1/32"

CLASS: DDGT 241

ASSIGNMENT #: 09

AUTOCAD DRAWING NAME:  
ROBOTIC ARM

FIG #: 1058

MANAGER: G. STROMMEN

DRAFTER: A. MOSTAFA

DATE: 2/28/2024

SCALE: AS NOTED

PAGE #: 4 OF 4