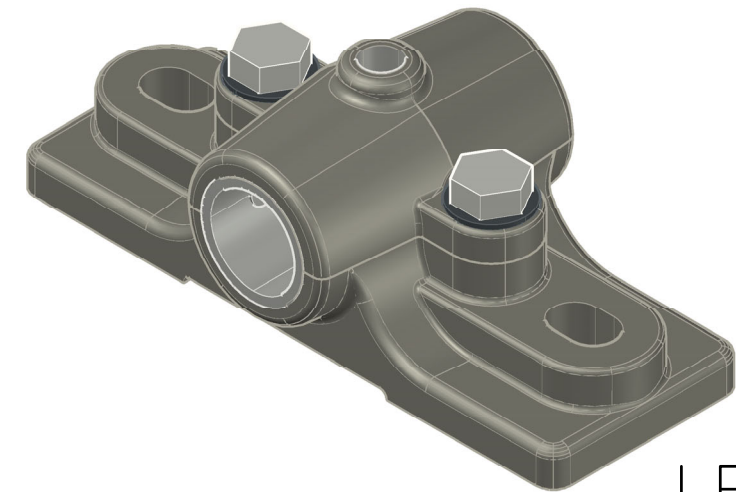
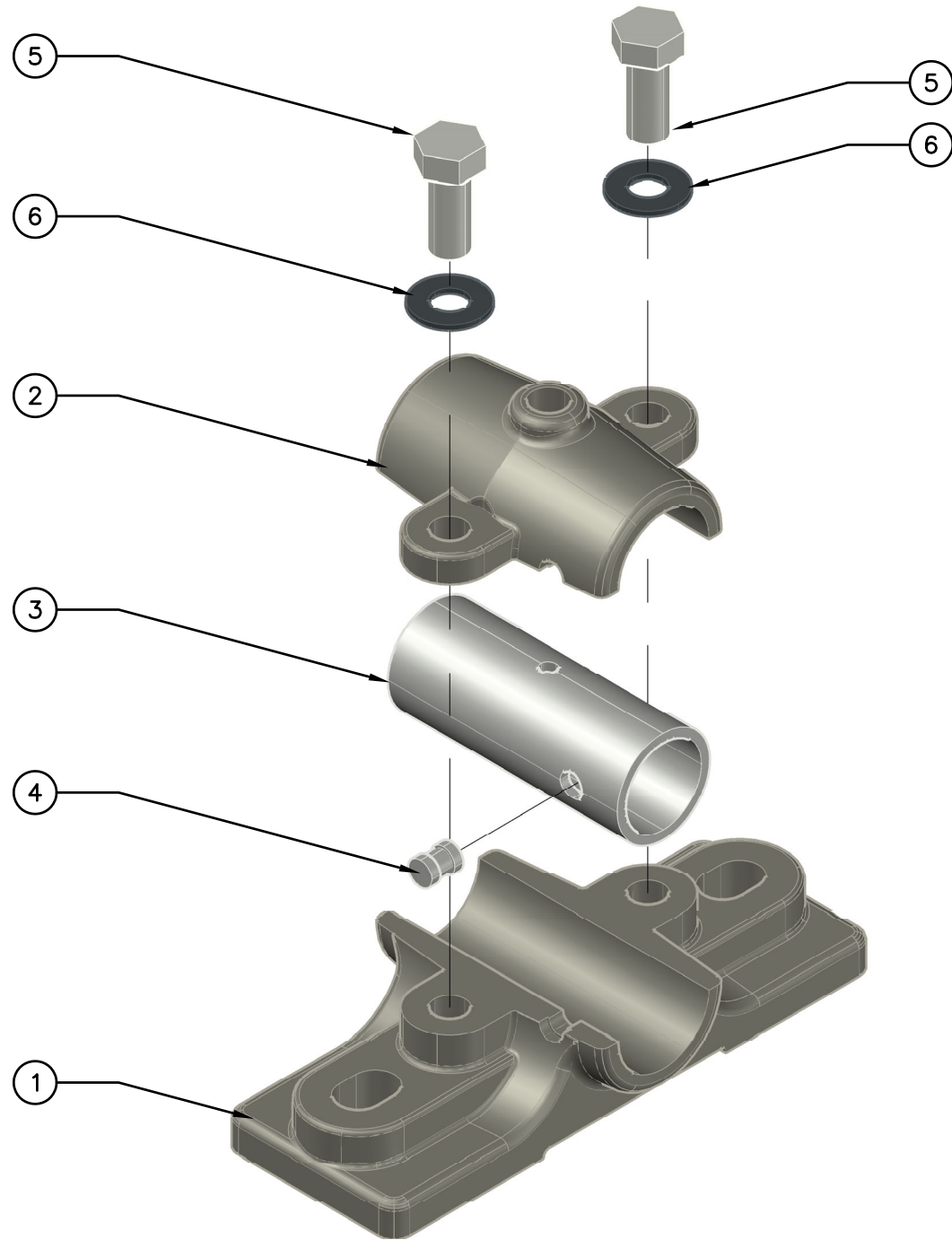


PARTS LIST

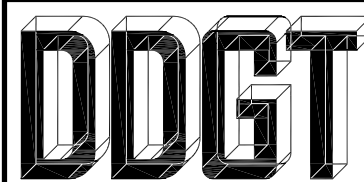
ITEM	QTY.	PART NAME	MATERIAL	DESCRIPTION
1	1	LOWER JOURNAL BEARING	CAST STEEL	
2	1	UPPER JOURNAL BEARING	CAST STEEL	
3	1	SLEEVE	316 SS	
4	1	ALIGNMENT PIN	316 SS	
5	2	BOLT	STEEL	1/2-13 UNF
6	2	WASHER	STEEL	ø0.50 ID X ø1.00 OD X 0.0625" THICK



LEGEND:
 ° DEGREES
 ø DIAMETER
 R RADIUS

GENERAL NOTES:

ALL ROUNDS AND FILLETS
 .0625 UNLESS OTHERWISE
 SPECIFIED



DIGITAL DESIGN
 GRAPHICS
 TECHNOLOGY

WWW.DDGT.NET

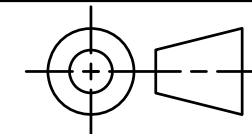


Connor McCall
 Designer

(707)287-6180

connorm.1440@gmail.com

www.ddgt.net/studentpages/cmccall



TOLERANCES UNLESS SPECIFIED:

DECIMAL INCHES:

X = ±.020

XX = ±.010

XXX = ±.005

FRACTIONAL ±1/64

ANGLES ±1 DEGREE

SURFACES 32/√

COURSE: DDGT 240

AUTOCAD DRAWING NAME:

JOURNAL BEARING

FIG #: N/A

DRAFTER: C. MCCALL

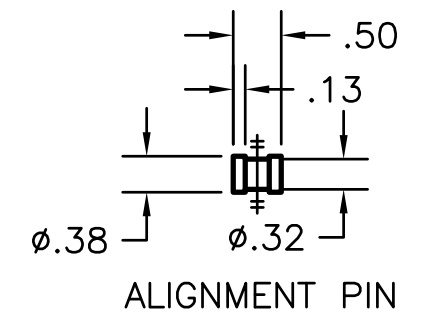
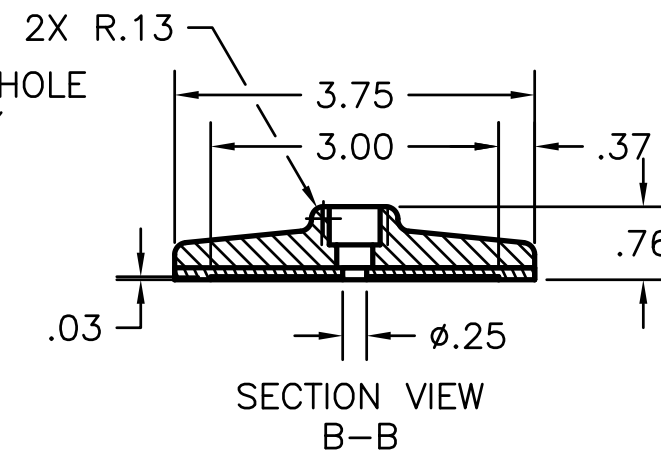
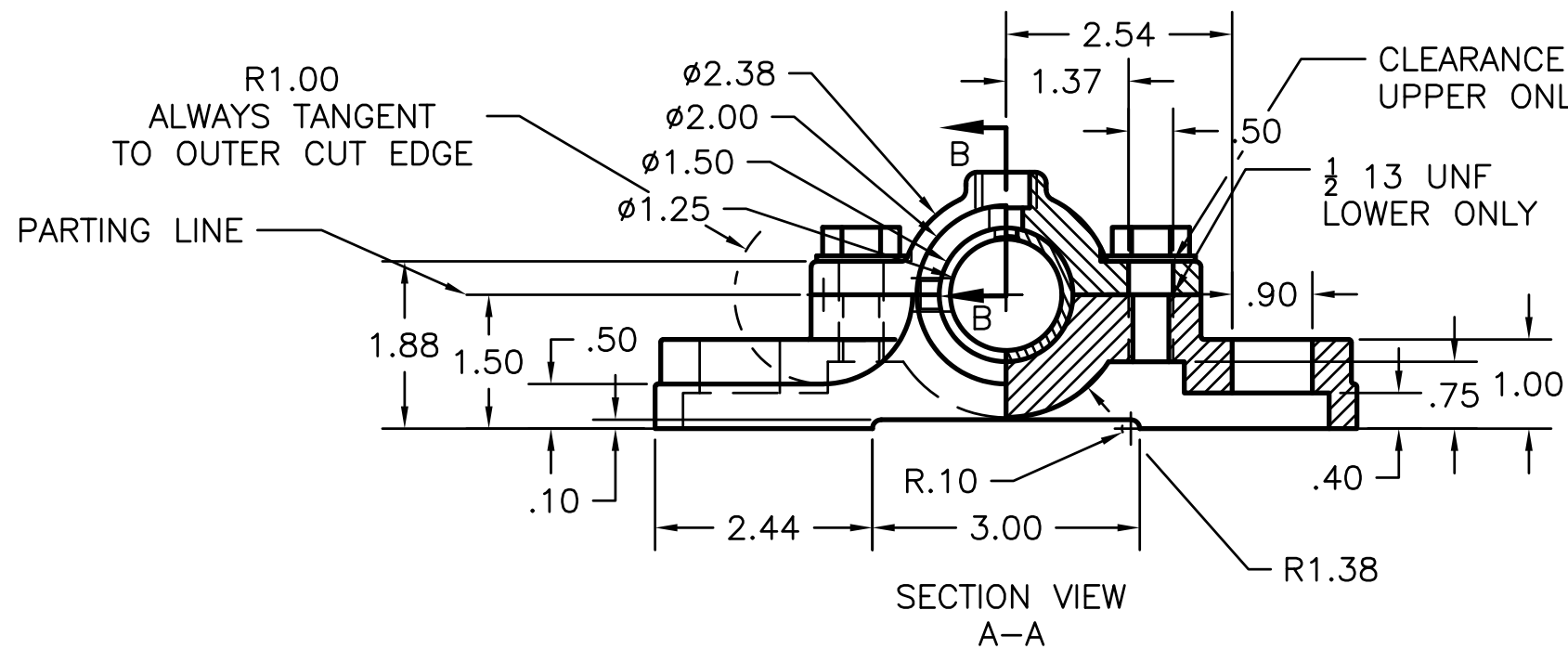
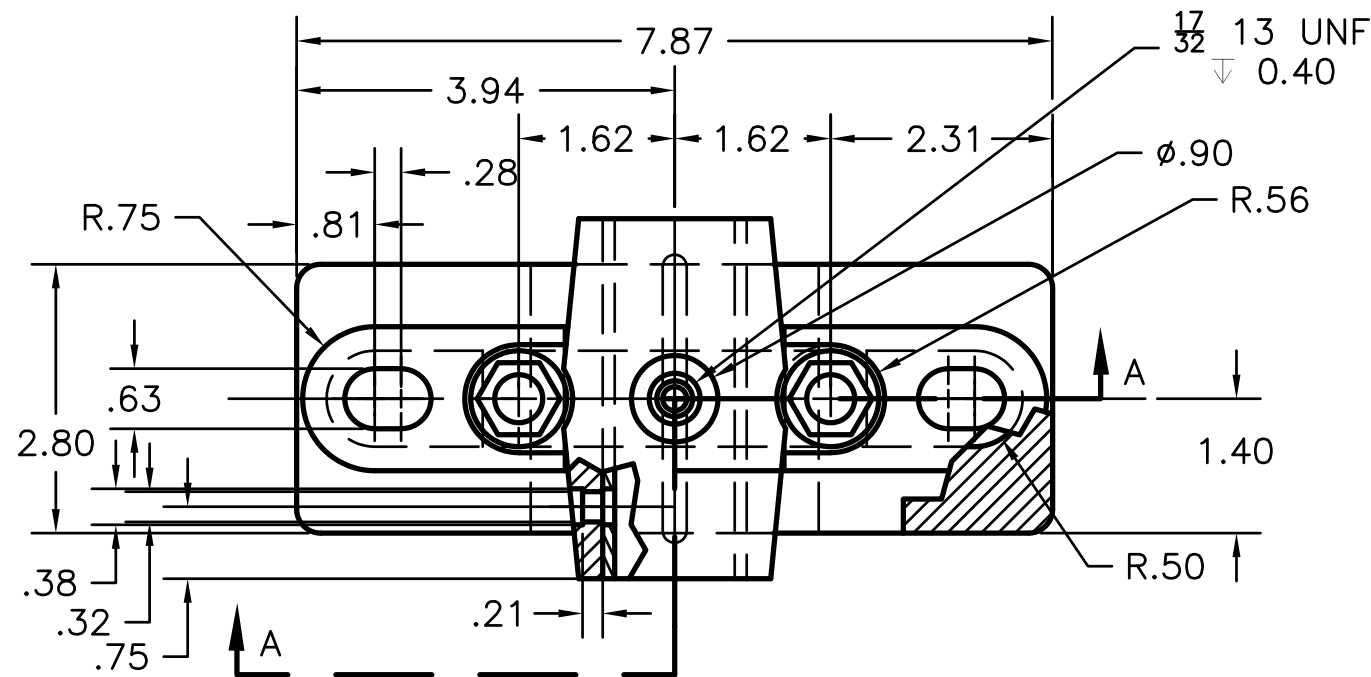
DATE: 6/24/2019

SCALE: 1:2

PAGE #: 1 OF 2

PARTS LIST

ITEM	QTY.	PART NAME
1	1	LOWER
2	1	UPPER
3	1	SLEEVE
4	1	ALIGNMENT PIN
5	2	BOLT
6	2	WASHER

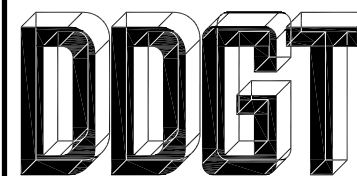


LEGEND:

- ° DEGREES
- ϕ DIAMETER
- R RADIUS

GENERAL NOTES:

ALL ROUNDS AND FILLETS
.0625 UNLESS OTHERWISE
SPECIFIED



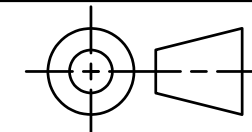
DIGITAL DESIGN
GRAPHICS
TECHNOLOGY

WWW.DDGT.NET



Connor McCall
Designer
(707)287-6180
connorm.1440@gmail.com

www.ddgt.net/studentpages/cmccall



TOLERANCES UNLESS SPECIFIED:
DECIMAL INCHES:
X = \pm .020
XX = \pm .010
XXX = \pm .005
FRACTIONAL \pm 1/64
ANGLES \pm 1 DEGREE
SURFACES 32/

COURSE: DDGT 240

AUTOCAD DRAWING NAME:
JOURNAL BEARING

FIG #: N/A

DRAFTER: C. MCCALL

DATE: 6/24/2019

SCALE: 1:2

PAGE #: 2 OF 2