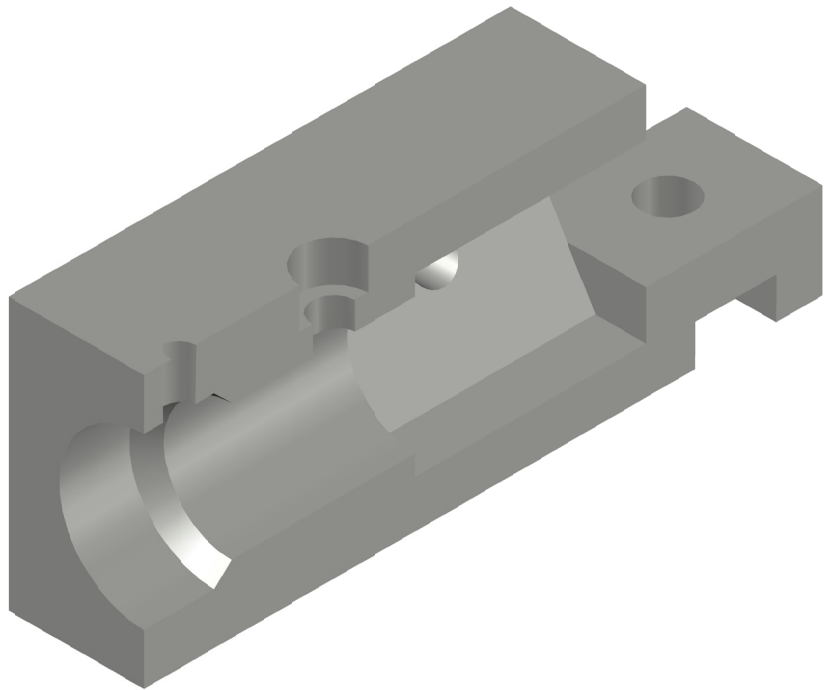
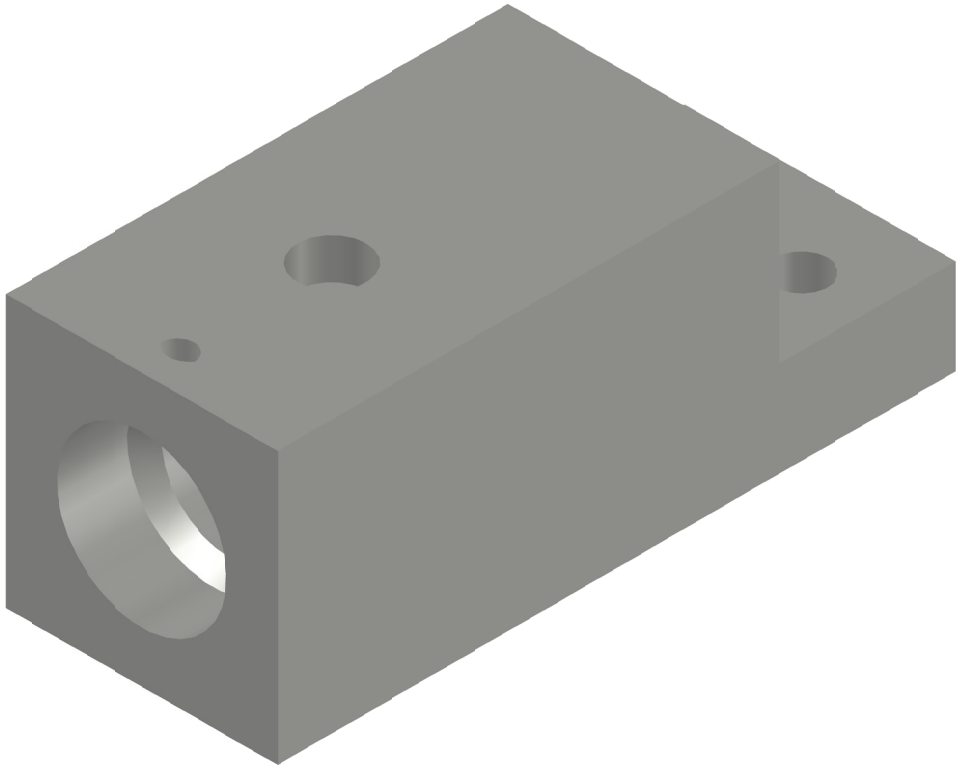


PARTS LIST

ITEM	QTY.	PART NAME	MATERIAL
1	1	CASING	SAE 1012



CASING SECTIONED



CASING

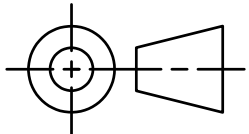
LEGEND:

- ° DEGREES
- ∅ DIAMETER
- R RADIUS
- SPOTFACE
- ∇ DEPTH
- SQUARE

DDGT
 DIGITAL DESIGN
 GRAPHICS
 TECHNOLOGY
 WWW.DDGT.NET

**McCall
 Custom
 Design**
CD

Connor McCall
 Designer
 (707)287-6180
 connorm.1440@gmail.com
 www.ddgt.net/studentpages/cmccall

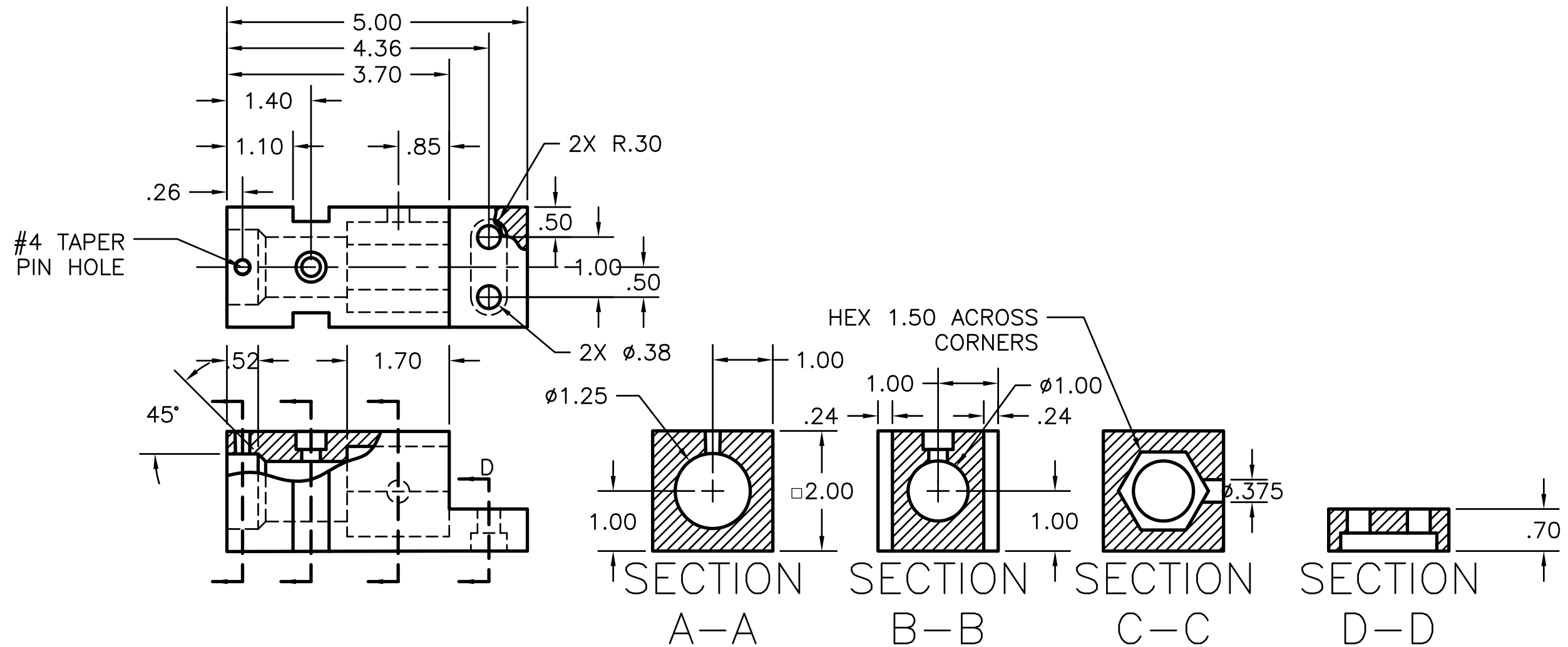


TOLERANCES UNLESS SPECIFIED:
 DECIMAL INCHES:
 X = ±.020
 XX = ±.010
 XXX = ±.005
 FRACTIONAL ±1/64
 ANGLES ±1 DEGREE
 SURFACES 32/√

COURSE:	DDGT 120
AUTOCAD DRAWING NAME:	CASING
FIG #:	9-39
DRAFTER:	C. MCCALL
DATE:	11/6/2018
SCALE:	1:1
PAGE #:	1 OF 2

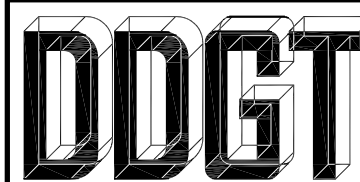
PARTS LIST

ITEM	QTY.	PART NAME
1	1	CASING



LEGEND:

- ° DEGREES
- ∅ DIAMETER
- R RADIUS
- SPOTFACE
- ∇ DEPTH
- SQUARE



DIGITAL DESIGN
GRAPHICS
TECHNOLOGY

WWW.DDGT.NET

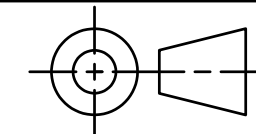


Connor McCall
Designer

(707)287-6180

connorm.1440@gmail.com

www.ddgt.net/studentpages/cmccall



TOLERANCES UNLESS SPECIFIED:

DECIMAL INCHES:

X = ±.020

XX = ±.010

XXX = ±.005

FRACTIONAL ±1/64

ANGLES ±1 DEGREE

SURFACES 32/

COURSE: DDGT 120

AUTOCAD DRAWING NAME:

CASING

FIG #: 9-39

DRAFTER: C. MCCALL

DATE: 11/6/2018

SCALE: 1:2

PAGE #: 2 OF 2