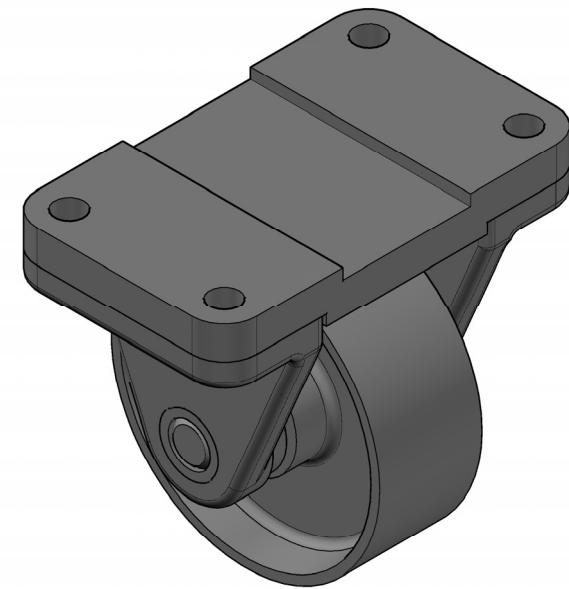
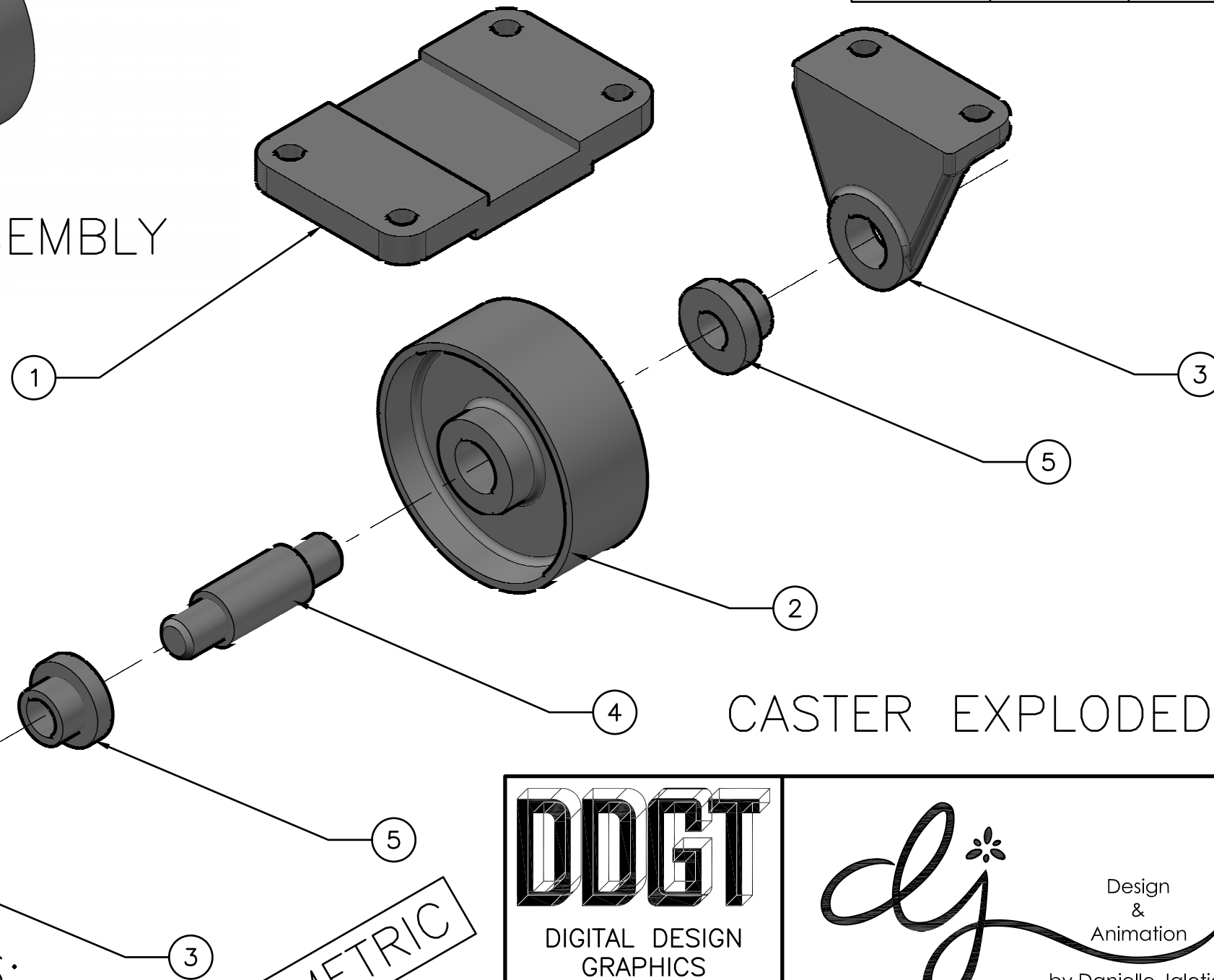


# PARTS LIST

ITEM	QTY.	PART NAME	MATERIAL
1	1	TOP PLATE	MALLEABLE IRON
2	1	WHEEL	MALLEABLE IRON
3	2	AXLE SUPPORT	MALLEABLE IRON
4	1	AXLE	SAE 1020
5	2	BUSHING	BRONZE



CASTER ASSEMBLY



CASTER EXPLODED ASSEMBLY

## LEGEND:

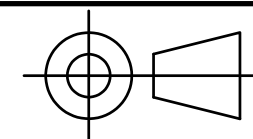
- ° DEGREES
- φ DIAMETER
- R RADIUS
- SPOTFACE

GENERAL NOTES:  
 ROUNDS AND FILLETS R3

METRIC

**DDGT**  
 DIGITAL DESIGN  
 GRAPHICS  
 TECHNOLOGY  
 WWW.DDGT.NET

*dj*  
 Design  
 &  
 Animation  
 by Danielle Jalotjot  
 (707)208-7773 | dl.sipin@gmail.com | www.ddgt.net/StudentPages/djalotjot



TOLERANCES UNLESS SPECIFIED:  
 MILLIMETERS:  
 WHOLE NUMBERS = ±0.5  
 X = ±0.25  
 XX = ±0.12  
 ANGLES ±1'  
 SURFACES 32✓

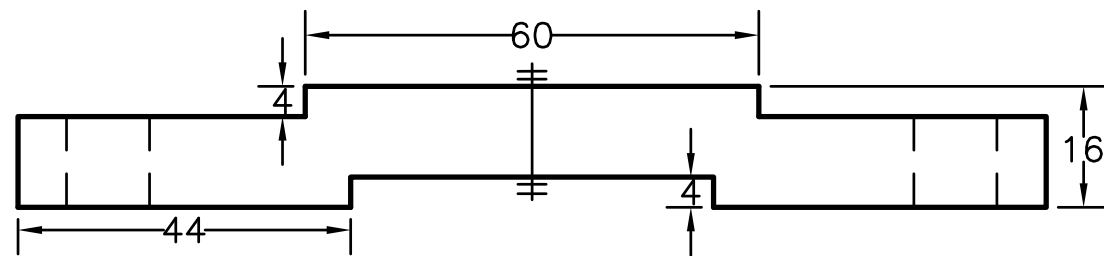
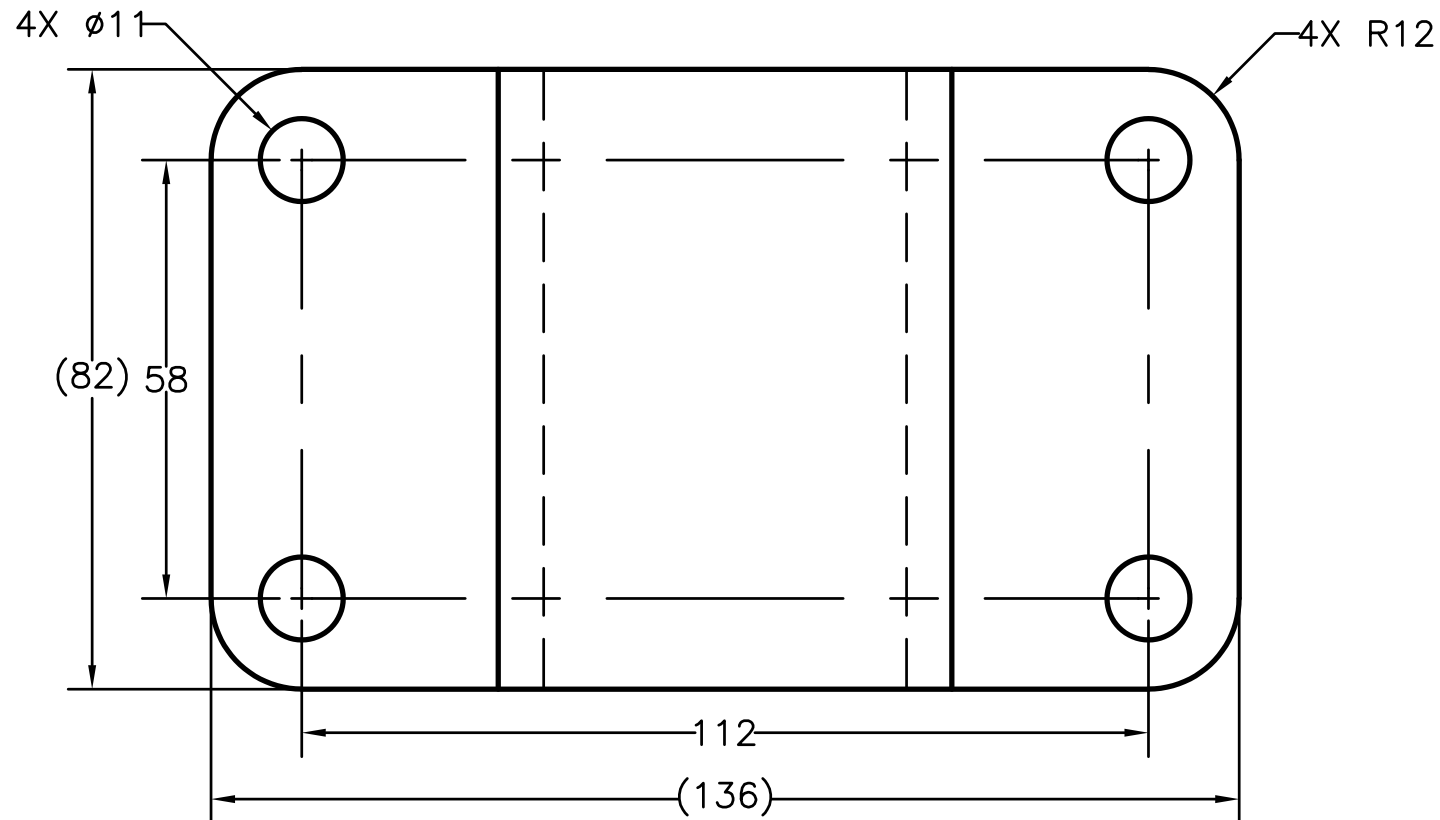
COURSE:	DDGT 120
AUTOCAD DRAWING NAME:	CASTER
FIG#:	9-51
DRAFTER:	D. JALOTJOT
DATE:	12/7/2017
SCALE:	1:2
PAGE#:	1 OF 3

# PARTS LIST

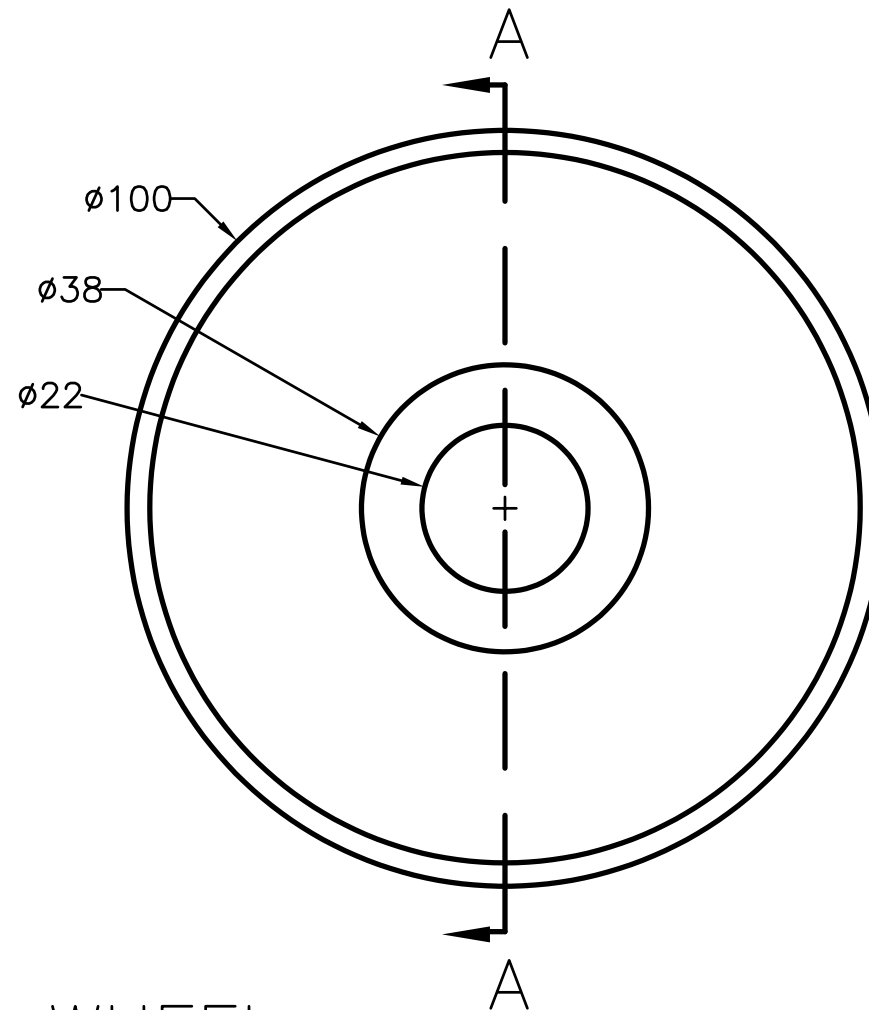
ITEM	QTY.	PART NAME
1	1	TOP PLATE
2	1	WHEEL

## LEGEND:

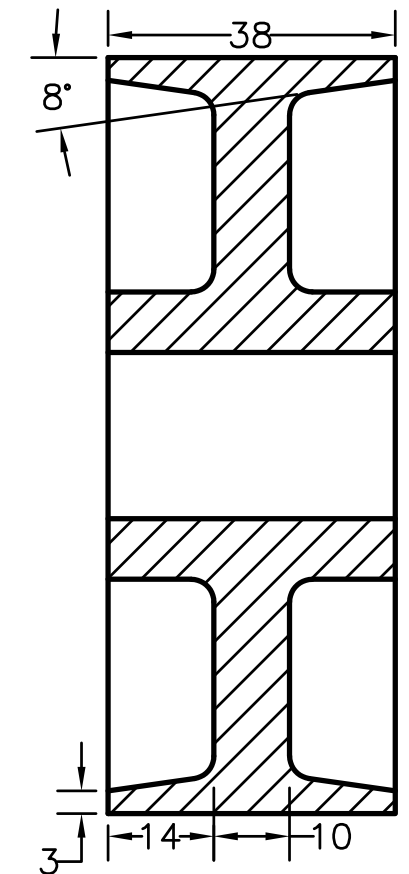
- ° DEGREES
- φ DIAMETER
- R RADIUS
- SPOTFACE



TOP PLATE



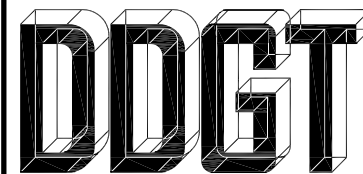
WHEEL



SECTION A-A

GENERAL NOTES:  
 ROUNDS AND FILLETS R3

METRIC

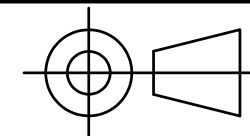


DIGITAL DESIGN  
 GRAPHICS  
 TECHNOLOGY

WWW.DDGT.NET



(707)208-7773 | dl.sipin@gmail.com | www.ddgt.net/StudentPages/djalotjot



TOLERANCES UNLESS SPECIFIED:  
 MILLIMETERS:  
 WHOLE NUMBERS = ±0.5  
 X = ±0.25  
 XX = ±0.12

ANGLES ±1°  
 SURFACES 32/

COURSE: DDGT 120

AUTOCAD DRAWING NAME:

CASTER

FIG#: 9-51

DRAFTER: D. JALOTJOT

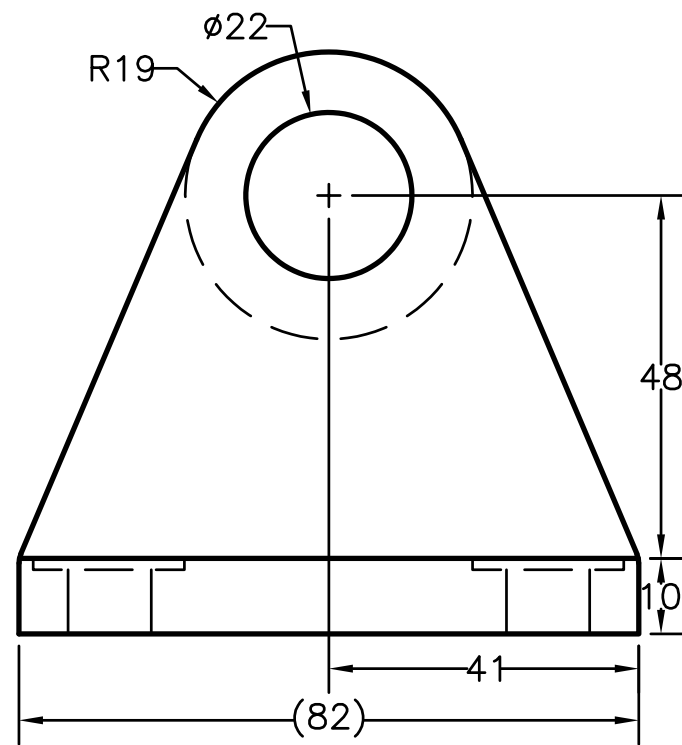
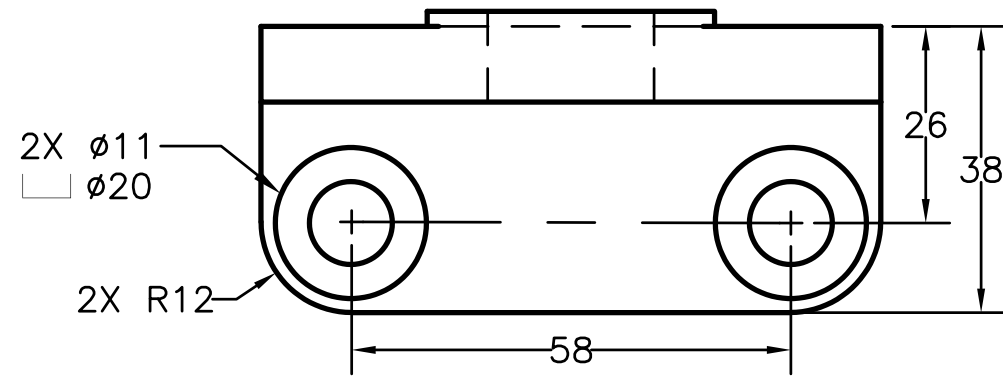
DATE: 12/7/2017

SCALE: 1:1

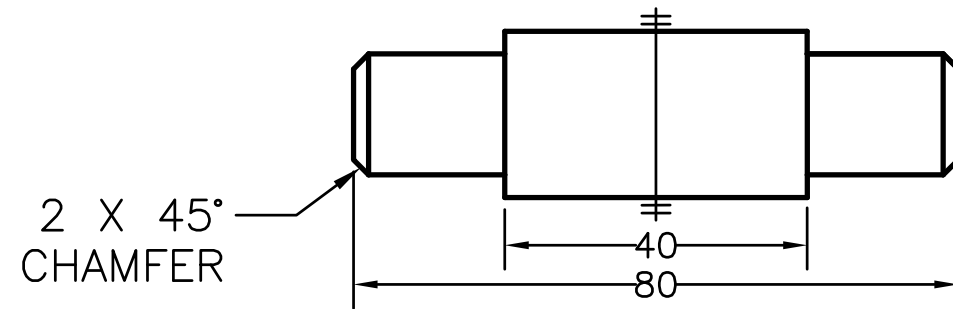
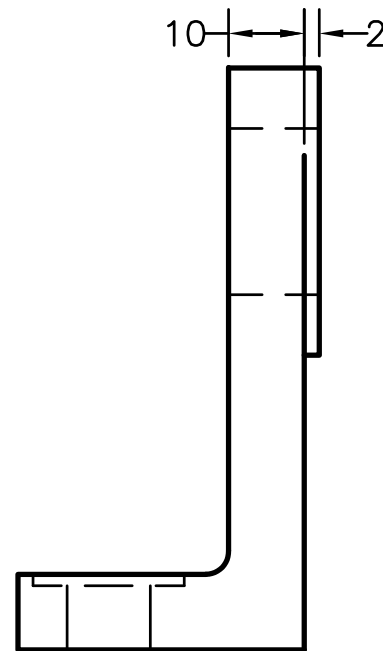
PAGE#: 2 OF 3

# PARTS LIST

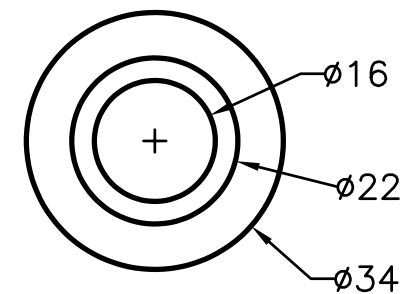
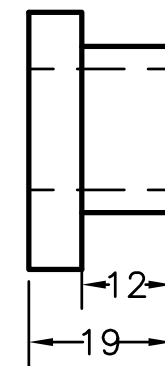
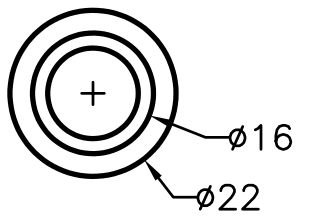
ITEM	QTY.	PART NAME
3	2	AXLE SUPPORT
4	1	AXLE
5	2	BUSHING



AXLE SUPPORT



AXLE



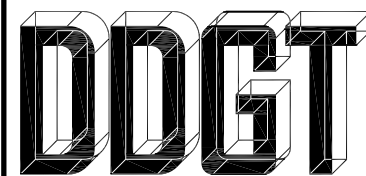
BUSHING

## LEGEND:

- ° DEGREES
- Ø DIAMETER
- R RADIUS
- SPOTFACE

GENERAL NOTES:  
 ROUNDS AND FILLETS R3

METRIC



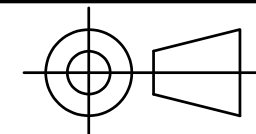
DIGITAL DESIGN  
 GRAPHICS  
 TECHNOLOGY

WWW.DDGT.NET



Design  
 &  
 Animation  
 by Danielle Jalotjot

(707)208-7773 | dl.sipin@gmail.com | www.ddgt.net/StudentPages/djalotjot



TOLERANCES UNLESS SPECIFIED:  
 MILLIMETERS:  
 WHOLE NUMBERS = ±0.5  
 X = ±0.25  
 XX = ±0.12  
 ANGLES ±1°  
 SURFACES 32/

COURSE: DDGT 120

AUTOCAD DRAWING NAME:

CASTER

FIG#: 9-51

DRAFTER: D. JALOTJOT

DATE: 12/7/2017

SCALE: 1:1

PAGE#: 3 OF 3