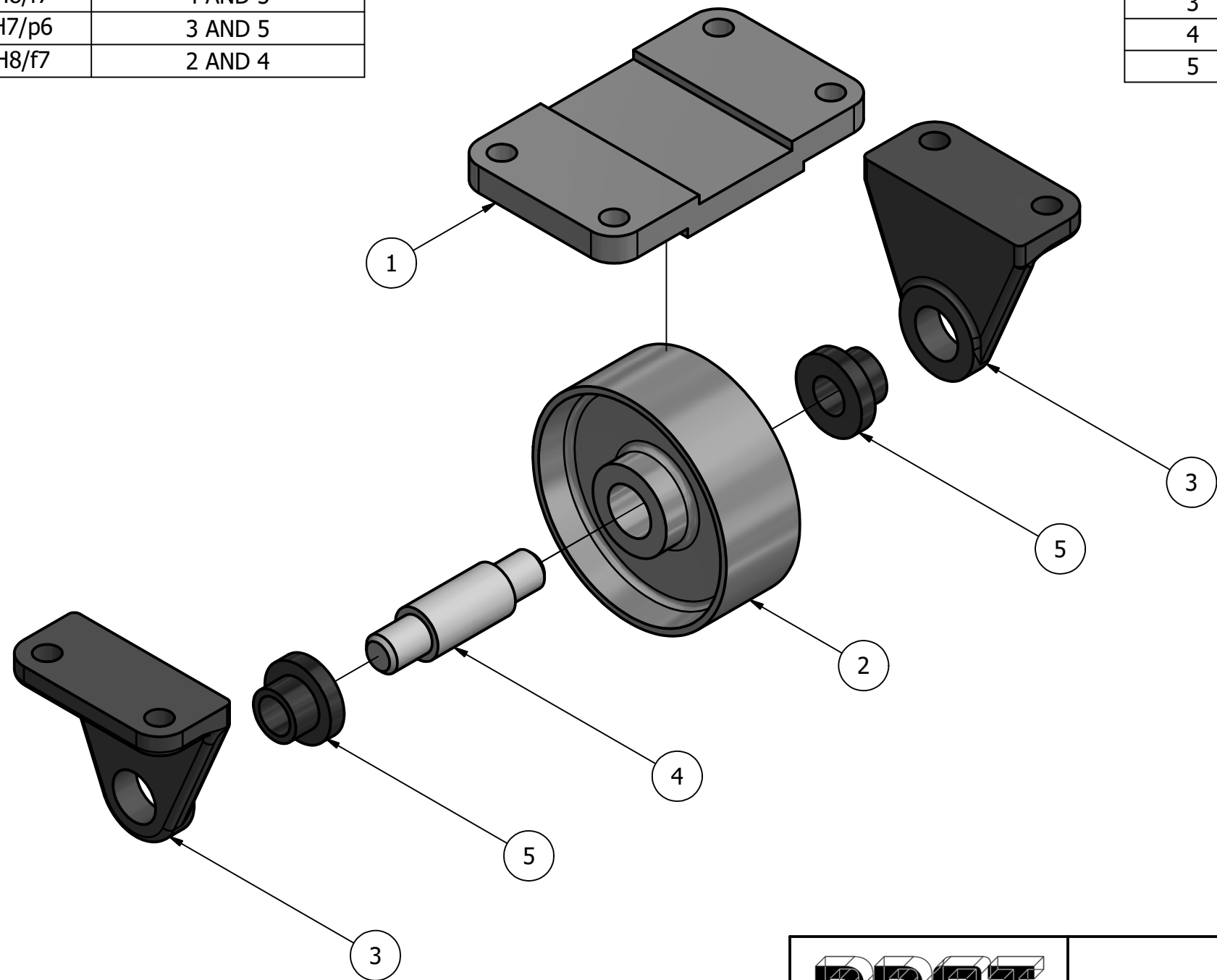
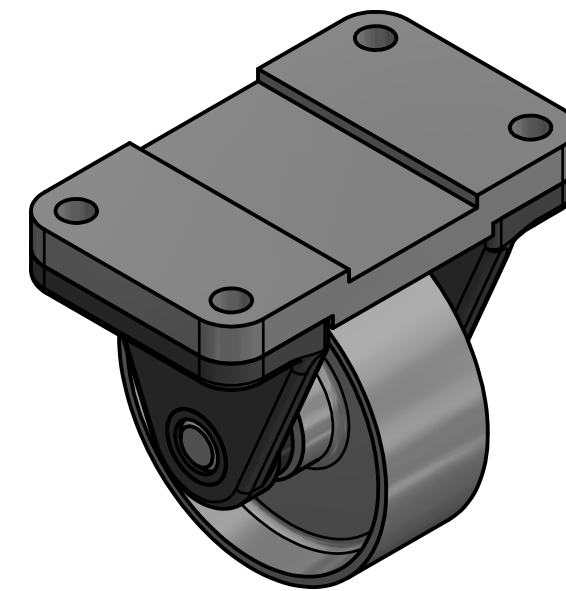


FIT	BETWEEN PARTS
H8/f7	4 AND 5
H7/p6	3 AND 5
H8/f7	2 AND 4

PARTS LIST			
ITEM	QTY	PART NUMBER	MATERIAL
1	1	TOP PLATE	MALLEABLE IRON
2	1	WHEEL	MALLEABLE IRON
3	2	AXLE SUPPORT	MALLEABLE IRON
4	1	AXLE	SAE 1020
5	2	BUSHING	BRONZE



CASTER EXPLODED ASSEMBLY
SCALE 1 / 2



CASTER ASSEMBLY
SCALE 1 / 2

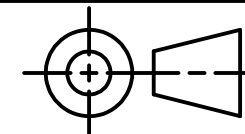
LEGEND:

- ∅ DIAMETER
- R RADIUS
- ° DEGREES
- ⌊ SPOTFACE



DIGITAL DESIGN
GRAPHICS
TECHNOLOGY

WWW.DDGT.NET



TOLERANCES UNLESS SPECIFIED:
MILLIMETERS:
WHOLE NUMBER = ±.5
X = ±.25
XX = ±.12

ANGLES ±1 DEGREE

SURFACES 32 ✓

COURSE: DDGT120

INVENTOR DRAWING NAME:
CASTER

FIG #: 9-51

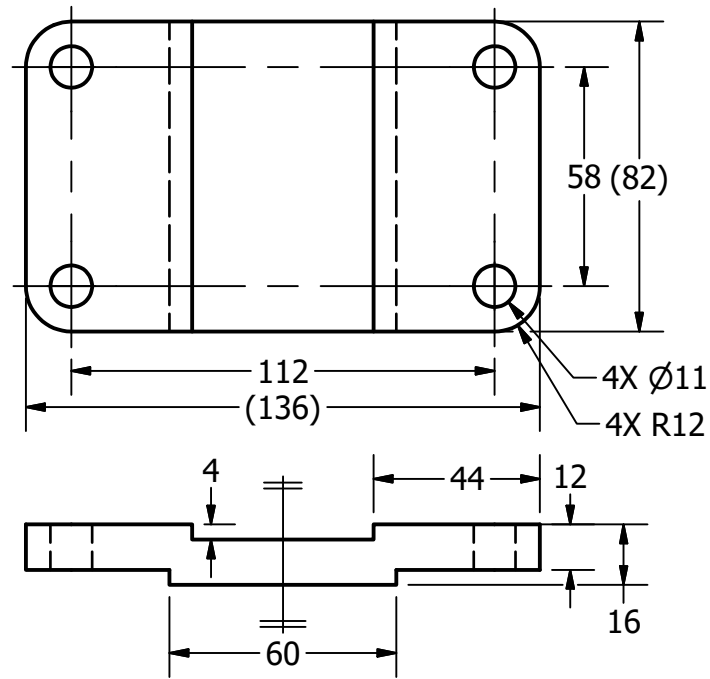
DRAFTER: F. MORALES

DATE: 11/29/2017

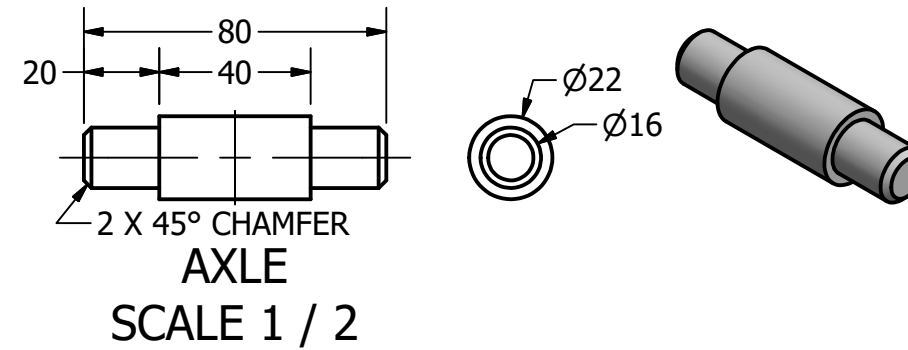
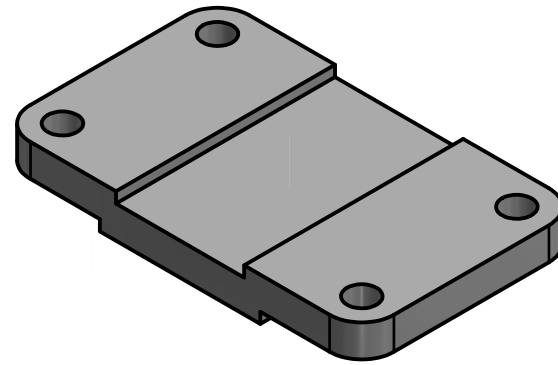
SCALE: AS NOTED

PAGE #: 1 OF 3

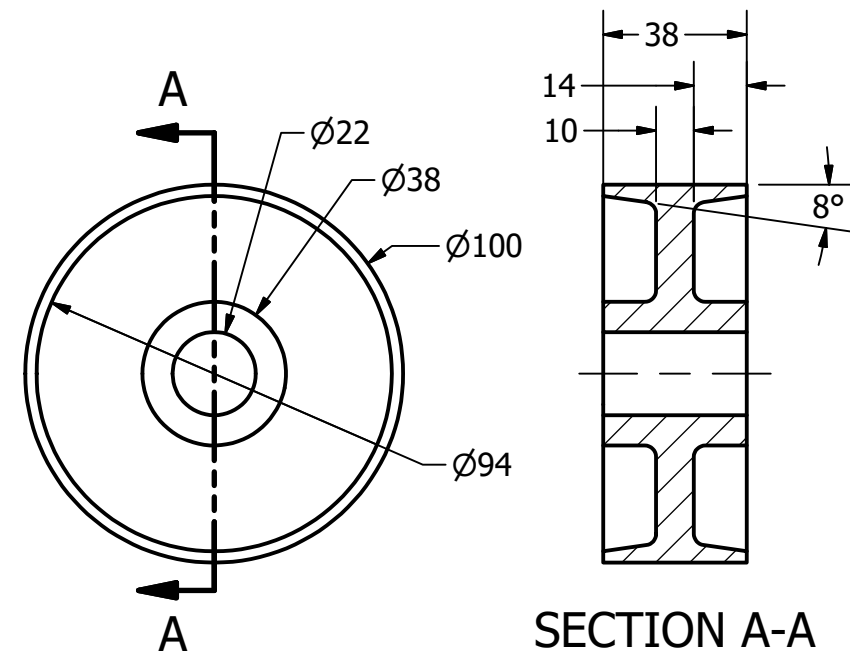
PARTS LIST		
ITEM	QTY	PART NUMBER
1	1	TOP PLATE
2	1	WHEEL
4	1	AXLE



TOP PLATE
SCALE 1 / 2

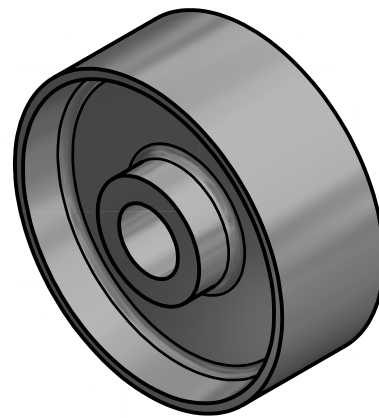


AXLE
SCALE 1 / 2



WHEEL
SCALE 1 / 2

SECTION A-A
SCALE 1 / 2



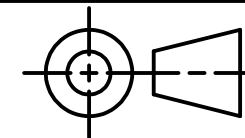
METRIC

LEGEND:
 Ø DIAMETER
 R RADIUS
 ° DEGREES
 □ SPOTFACE

DDGT

DIGITAL DESIGN
 GRAPHICS
 TECHNOLOGY

WWW.DDGT.NET



TOLERANCES UNLESS SPECIFIED:
 MILLIMETERS:
 WHOLE NUMBER = ±.5
 X = ±.25
 XX = ±.12

ANGLES ±1 DEGREE

SURFACES 32 ✓

COURSE: DDGT120

INVENTOR DRAWING NAME:
 CASTER

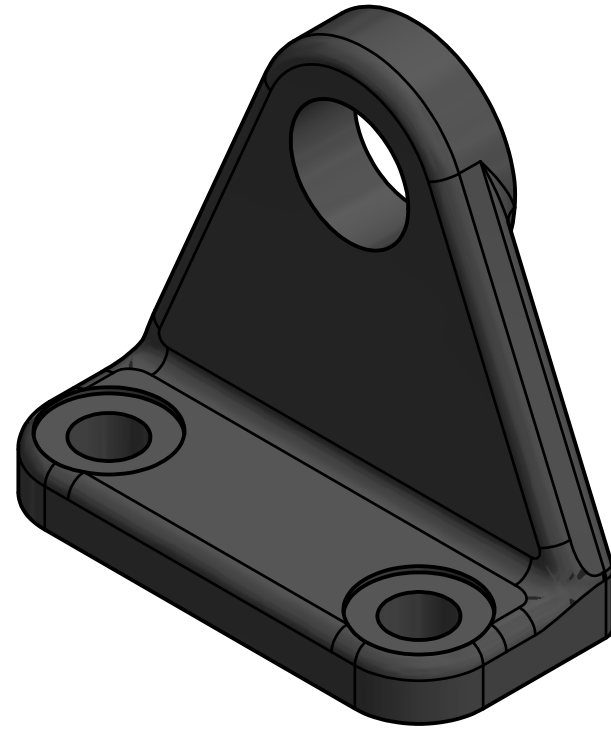
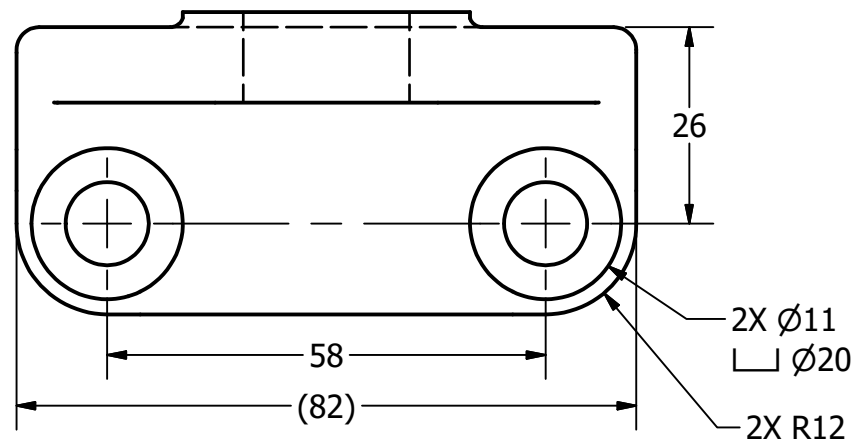
FIG #: 9-51

DRAFTER: F. MORALES

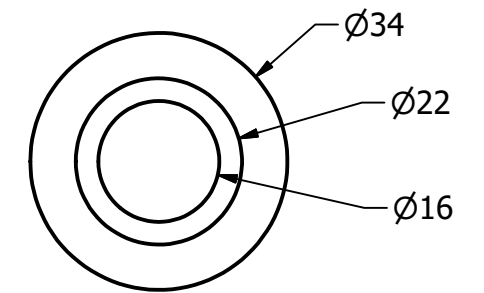
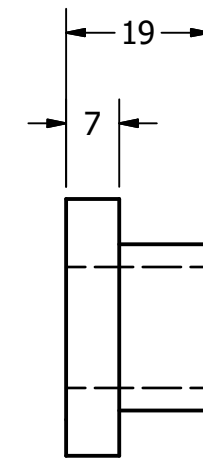
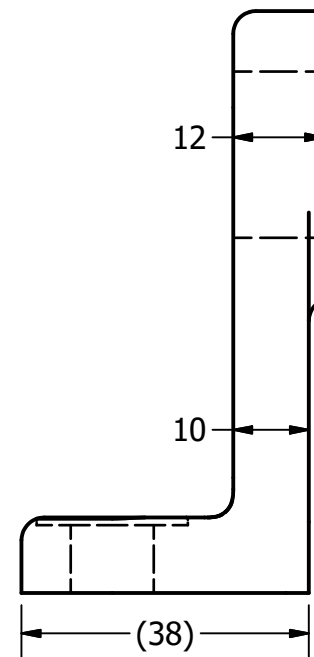
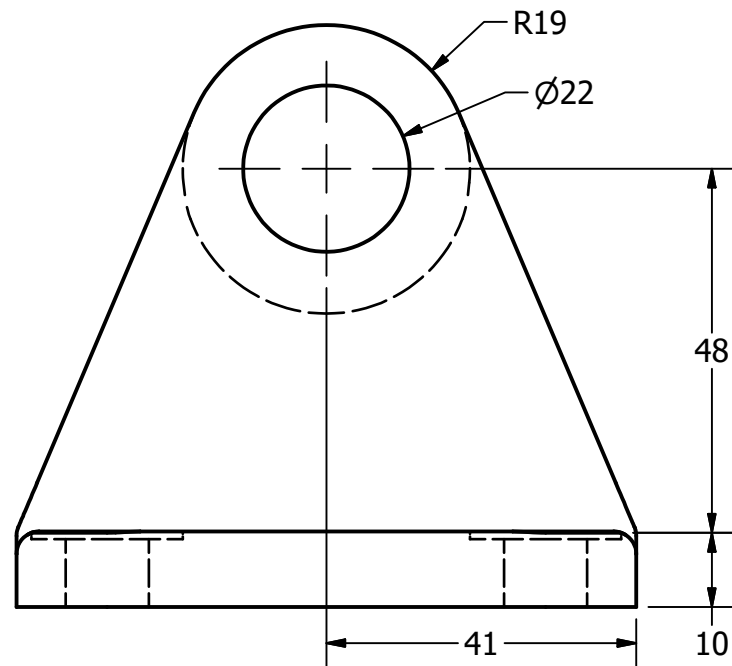
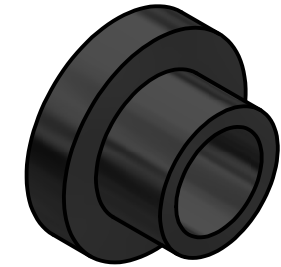
DATE: 11/29/2017

SCALE: AS NOTED

PAGE #: 2 OF 3



PARTS LIST		
ITEM	QTY	PART NUMBER
3	2	AXLE SUPPORT
5	2	BUSHING



LEGEND:

- Ø DIAMETER
- R RADIUS
- ° DEGREES
- ┌ SPOTFACE

BUSHING
SCALE 1 : 1

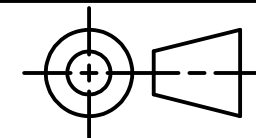
METRIC

AXLE SUPPORT
SCALE 1 : 1



DIGITAL DESIGN
GRAPHICS
TECHNOLOGY

WWW.DDGT.NET



TOLERANCES UNLESS SPECIFIED:
MILLIMETERS:
WHOLE NUMBER = ±.5
X = ±.25
XX = ±.12

ANGLES ±1 DEGREE

SURFACES 32 ✓

COURSE: DDGT120

INVENTOR DRAWING NAME:
CASTER

FIG #: 9-51

DRAFTER: F. MORALES

DATE: 11/29/2017

SCALE: AS NOTED

PAGE #: 3 OF 3