

GENERAL NOTES:

ROUND AND FILLETS R 10 UNLESS OTHERWISE STATED

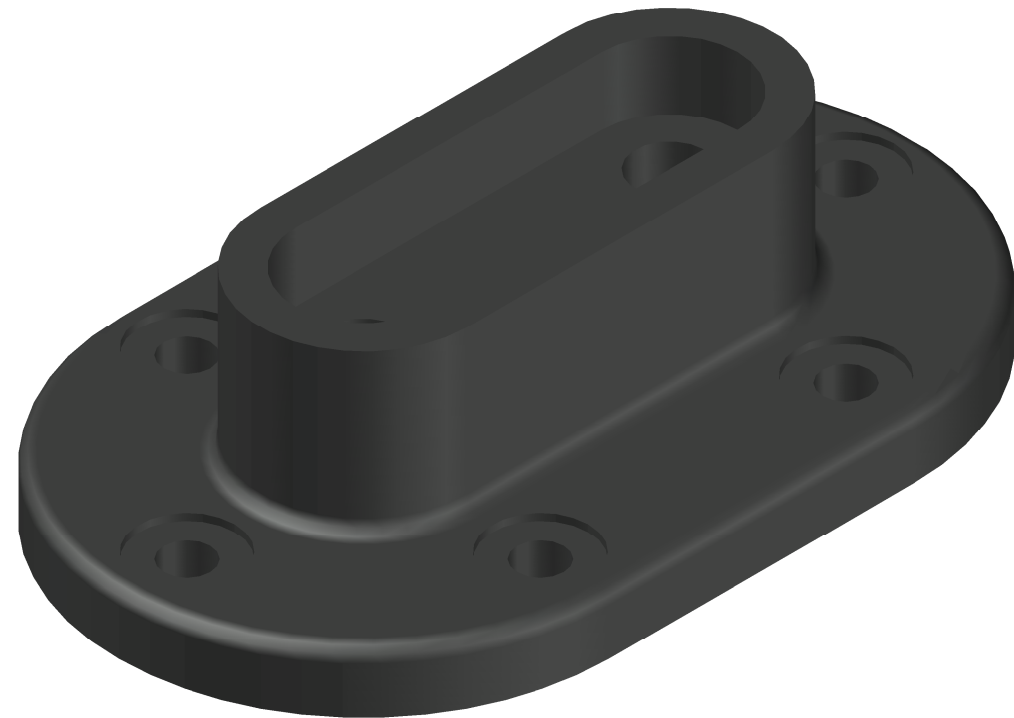


DIGITAL DESIGN
GRAPHIC
TECHNOLOGY

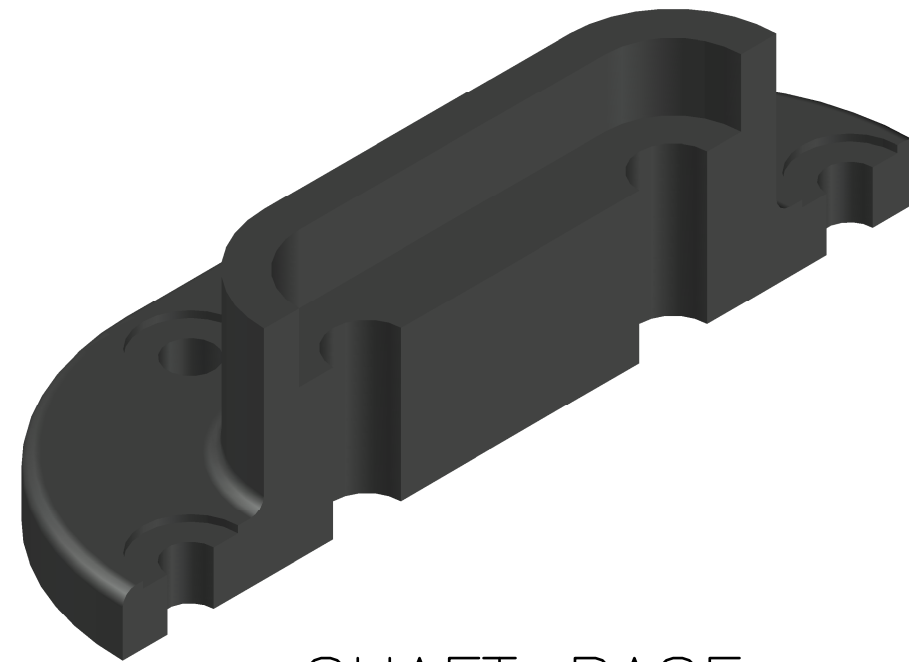
WWW.DDGT.NET

LEGEND:

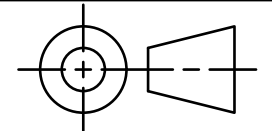
- ∅ DIAMETER
- R RADIUS
- | SPOTFACE/COUNTERBORE



SHAFT BASE
SCALE 1:1



SHAFT BASE
SECTION VIEW
SCALE 1:1



TOLERANCE UNLESS SPECIFIED:
DECIMAL INCHES:
X = ±.020
XX = ±.010
XXX = ±.005
FRACTIONAL ±1/16"
ANGLES ±1 DEGREE
SURFACES ^{32/}/_{62/}

CLASS: DDGT 120

ASSIGNMENT #: 56

AUTOCAD DRAWING NAME:
SHAFT BASE

FIG #: 9-35

MANAGER: G STROMMEN

DRAFTER: G SILVA

DATE: 5/25/2023

SCALE: AS NOTED

PAGE #: 1 OF 2

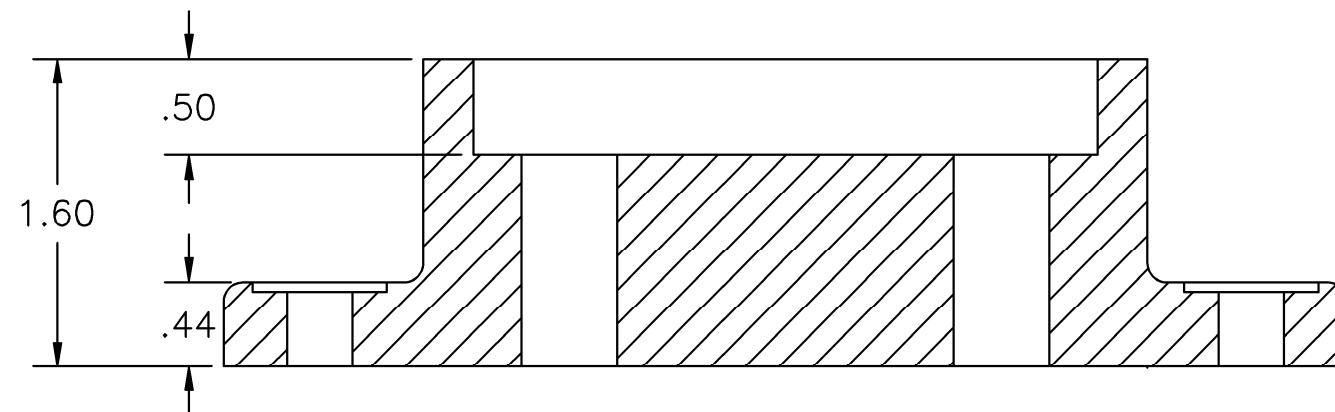
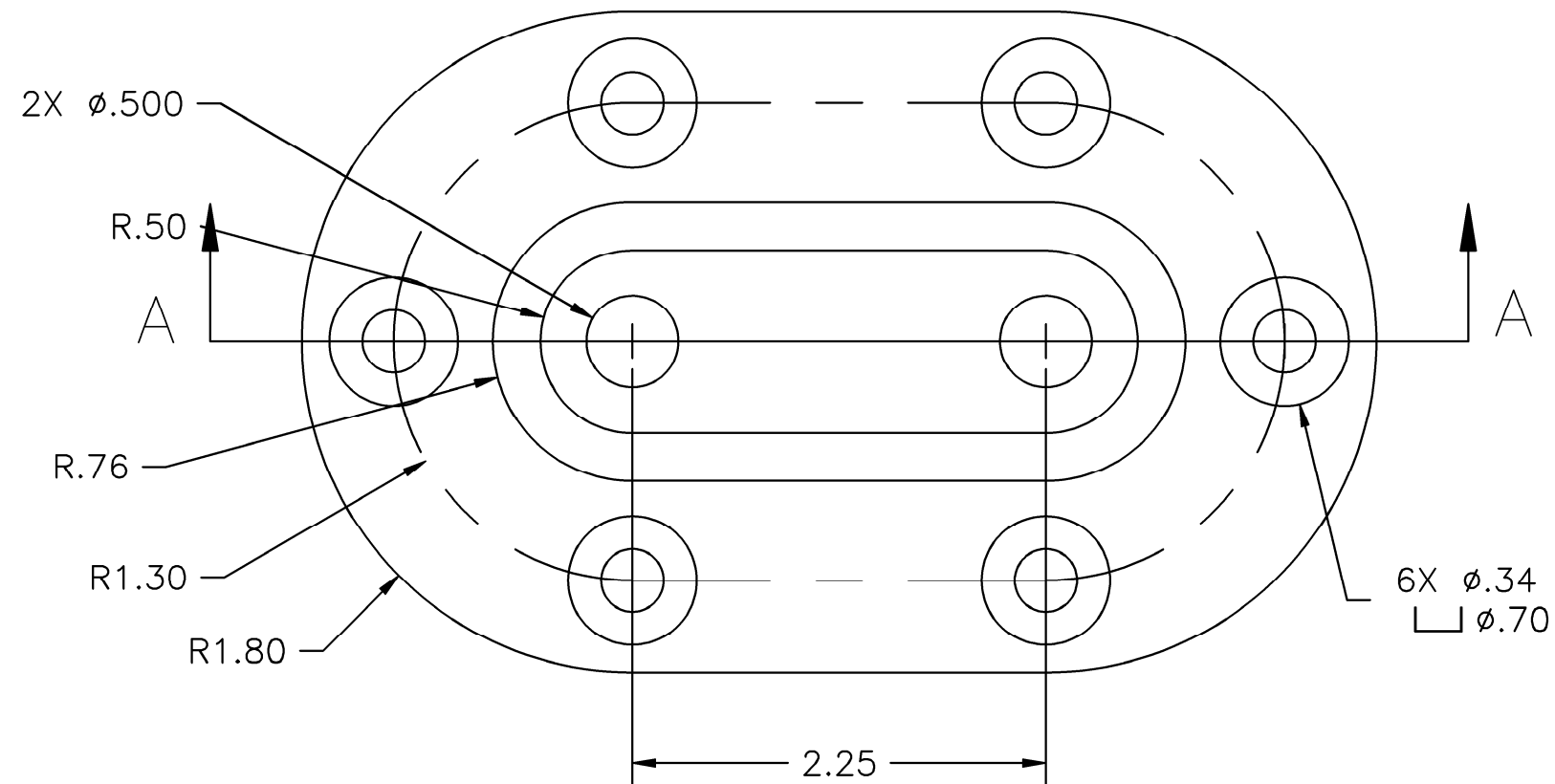
GENERAL NOTES:

ROUND AND FILLETS R 10 UNLESS OTHERWISE STATED



DIGITAL DESIGN
GRAPHIC
TECHNOLOGY

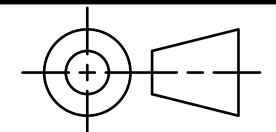
WWW.DDGT.NET



SECTION A-A

LEGEND:

- Ø DIAMETER
- R RADIUS
- | SPOTFACE/COUNTERBORE



TOLERANCE UNLESS SPECIFIED:
DECIMAL INCHES:
X = ±.020
XX = ±.010
XXX = ±.005
FRACTIONAL ±1/16"
ANGLES ±1 DEGREE
SURFACES 32/82/

CLASS: DDGT 120

ASSIGNMENT #: 56

AUTOCAD DRAWING NAME:
SHAFT BASE

FIG #:

MANAGER: G STROMMEN

DRAFTER: G SILVA

DATE: 5/25/2023

SCALE: AS NOTED

PAGE #: 2 OF 2