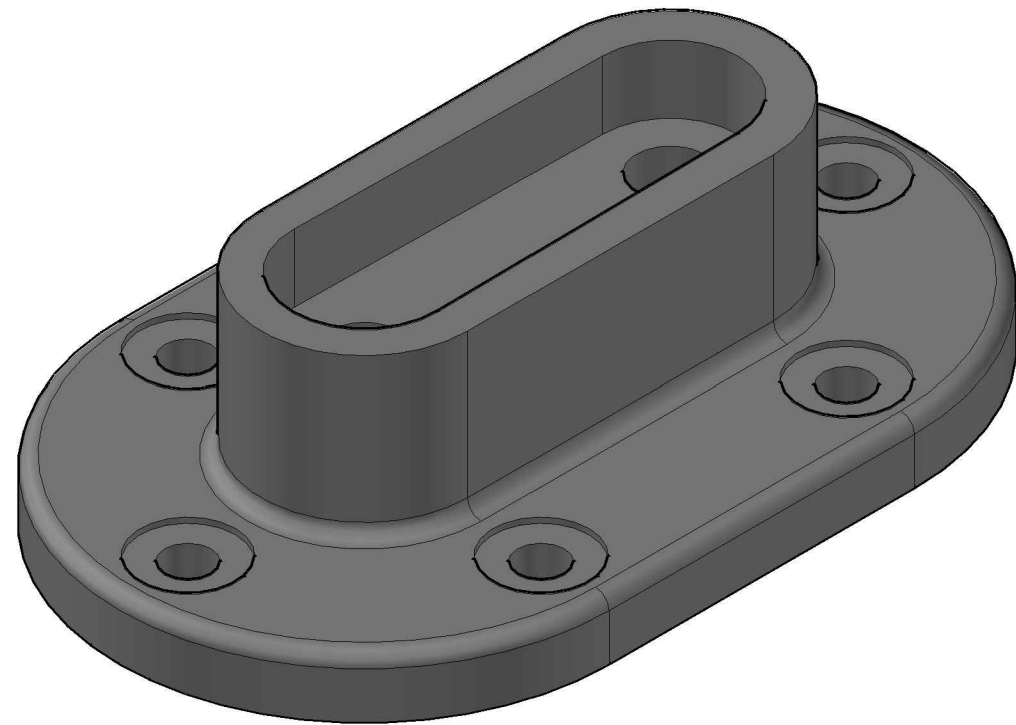
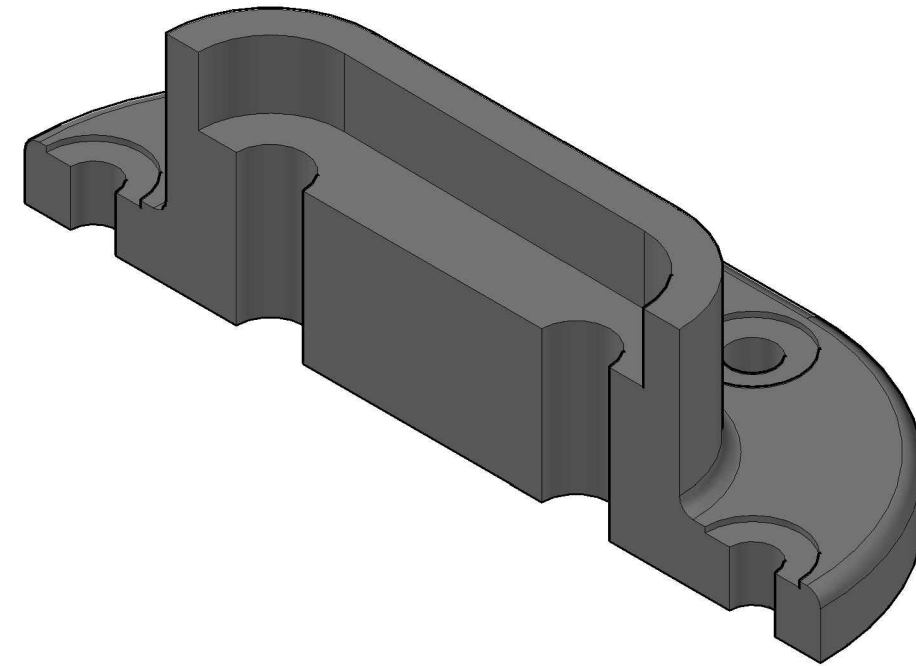


PARTS LIST

ITEM	QTY	PART NAME	MATERIAL
1	1	SHAFT BASE	MALLEABLE IRON



SHAFT BASE

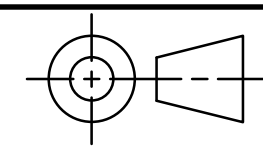
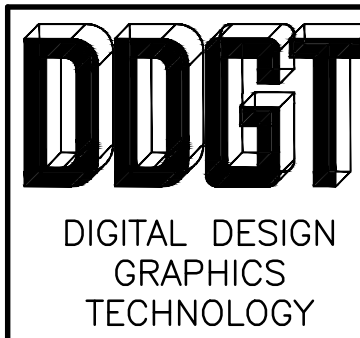


SHAFT BASE SECTION

LEGEND:

- ∅ DIAMETER
- R RADIUS
- ° DEGREES
- | SPOTFACE

GENERAL NOTES:
 ROUNDS AND FILETS R.10

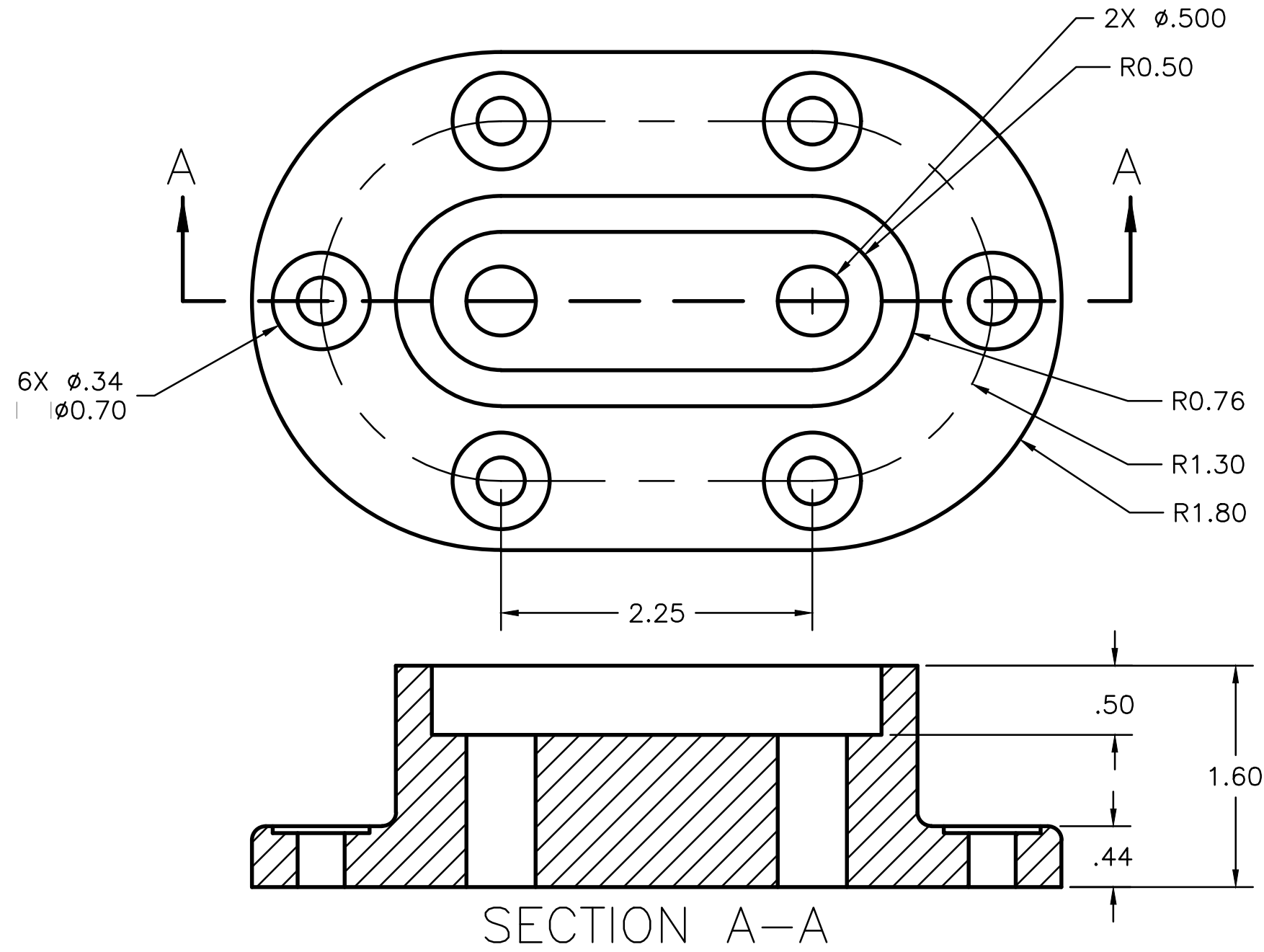


TOLERANCES UNLESS SPECIFIED:
 DECIMAL INCHES:
 X = ±.020
 XX = ±.010
 XXX = ±.005
 FRACTIONAL ±1/64"
 ANGLES ±1 DEGREE
 SURFACES 32/

COURSE:	DDGT120
AUTOCAD DRAWING NAME:	SHAFT BASE
FIG #:	9-35
DRAFTER:	J. BARKER
DATE:	10/24/2019
SCALE:	1:1
PAGE #:	1 OF 2

PRODUCED BY AN AUTODESK STUDENT VERSION

PRODUCED BY AN AUTODESK STUDENT VERSION



PARTS LIST		
ITEM	QTY	PART NAME
1	1	SHAFT BASE

LEGEND:
 ∅ DIAMETER
 R RADIUS
 ° DEGREES
 | SPOTFACE

GENERAL NOTES:
 ROUNDS AND FILETS R.10

DDGT
 DIGITAL DESIGN
 GRAPHICS
 TECHNOLOGY
 WWW.DDGT.NET

TOLERANCES UNLESS SPECIFIED:
 DECIMAL INCHES:
 X = ±.020
 XX = ±.010
 XXX = ±.005
 FRACTIONAL ±1/64"
 ANGLES ±1 DEGREE
 SURFACES 32/

COURSE:	DDGT120
AUTOCAD DRAWING NAME:	SHAFT BASE
FIG #:	9-35
DRAFTER:	J. BARKER
DATE:	10/24/2019
SCALE:	1:1
PAGE #:	2 OF 2