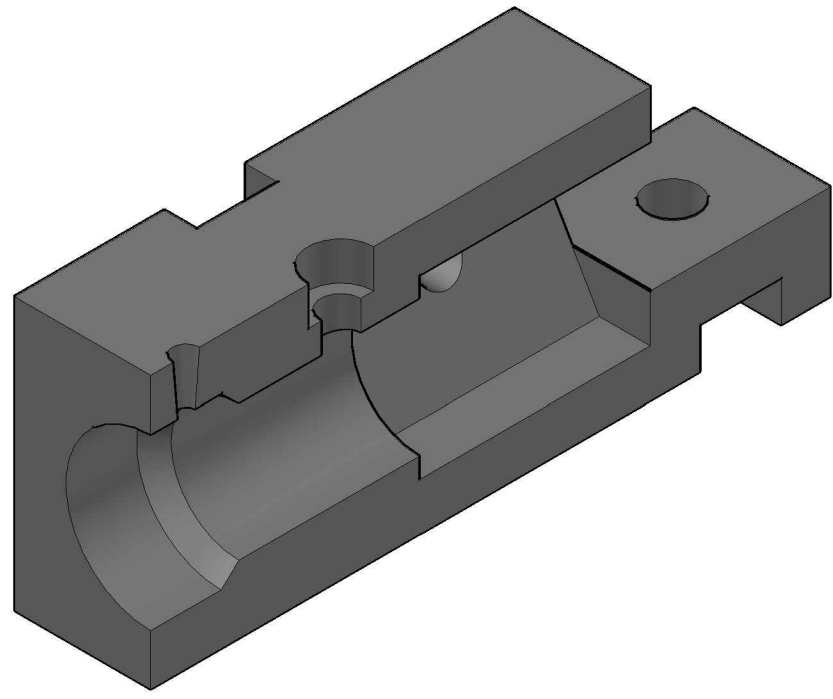


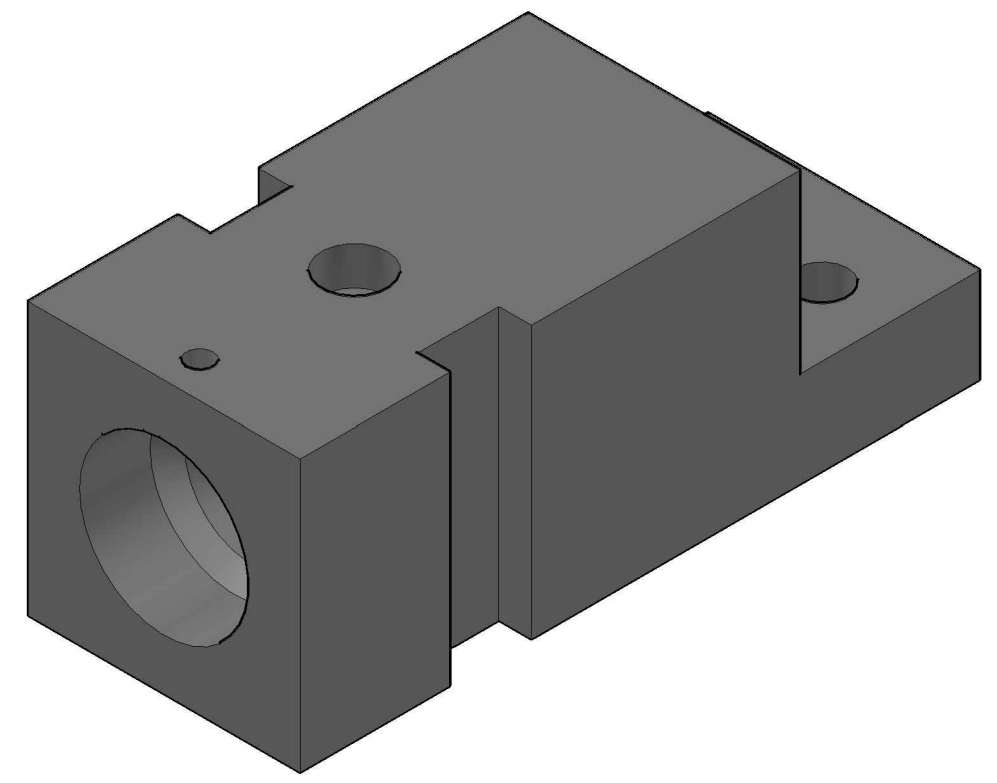
PRODUCED BY AN AUTODESK STUDENT VERSION

PRODUCED BY AN AUTODESK STUDENT VERSION

PARTS LIST			
ITEM	QTY	PART NAME	MATERIAL
1	1	CASING	SAE 1012



CASING SECTION

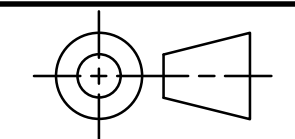


CASING

LEGEND:

- ∅ DIAMETER
- R RADIUS
- DEGREES
- | | COUNTERBORE
- ∇ DEPTH

DDGT
 DIGITAL DESIGN
 GRAPHICS
 TECHNOLOGY
 WWW.DDGT.NET



TOLERANCES UNLESS SPECIFIED:
 DECIMAL INCHES:
 X = ±.020
 XX = ±.010
 XXX = ±.005
 FRACTIONAL ANGLES ±1/64"
 ANGLES ±1 DEGREE
 SURFACES 32√

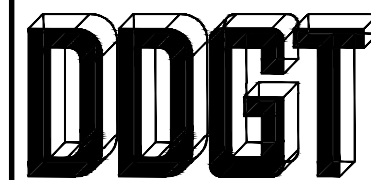
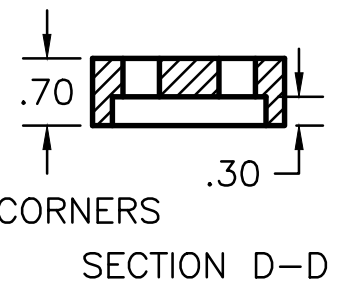
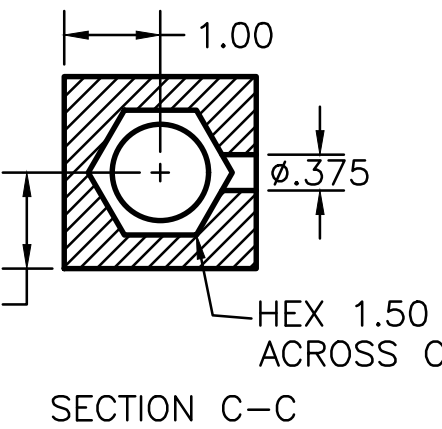
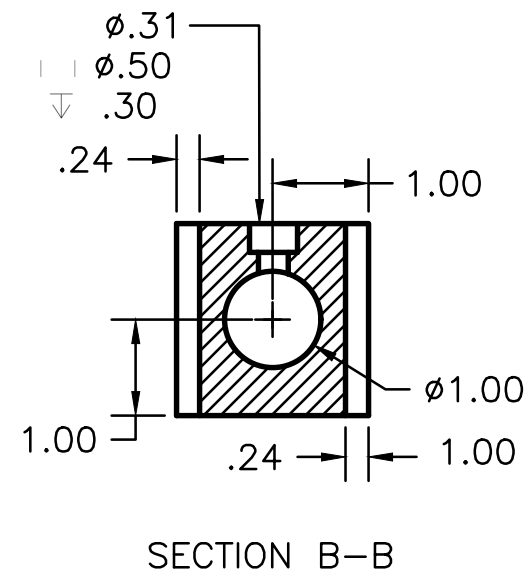
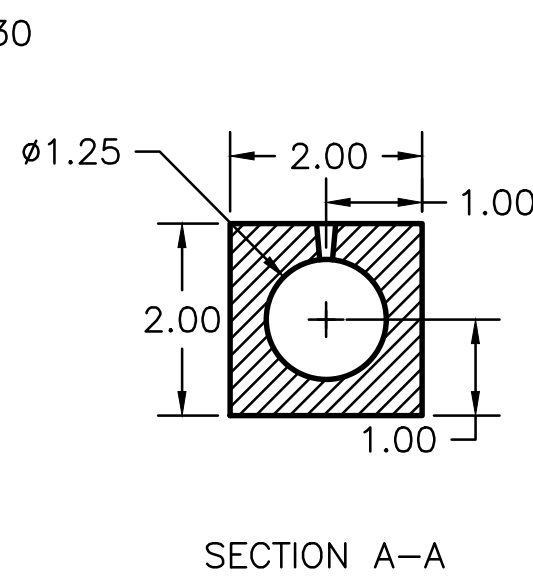
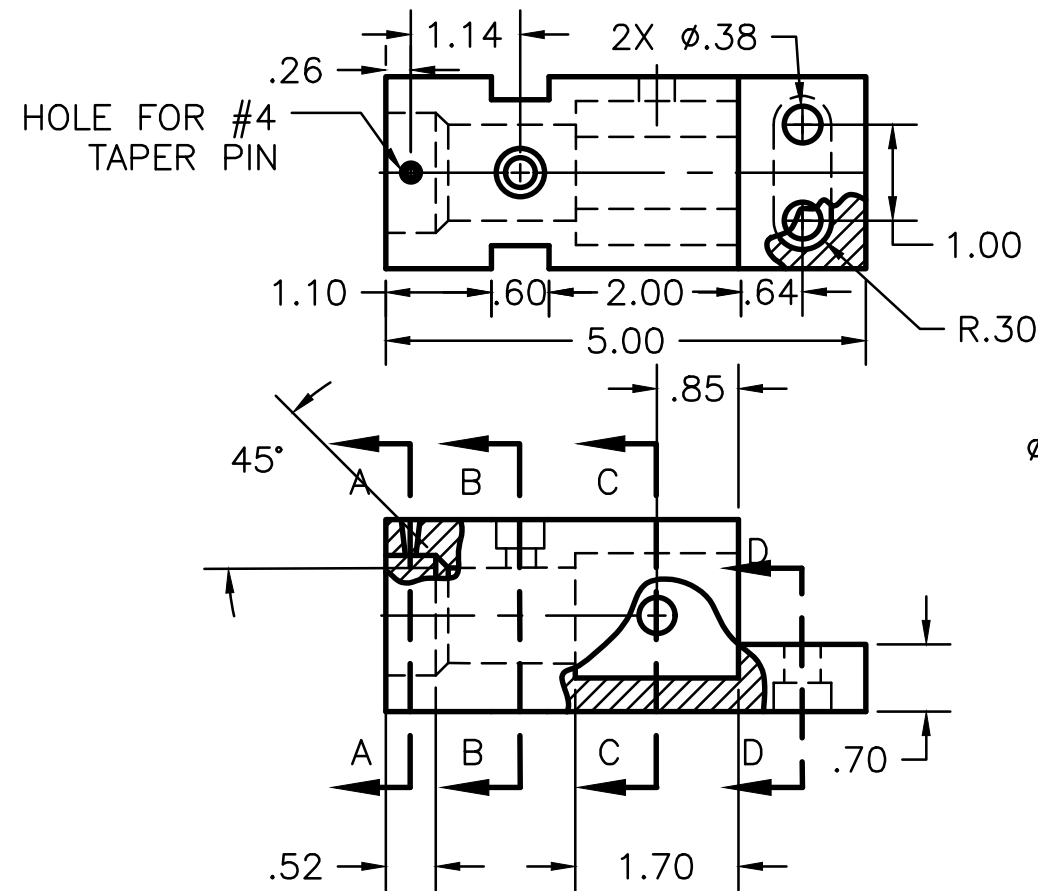
COURSE:	DDGT 120
AUTOCAD DRAWING NAME:	CASING
FIG #:	9-39
DRAFTER:	J. BARKER
DATE:	11/6/19
SCALE:	1:1
PAGE #:	1 OF 2

PARTS LIST

ITEM	QTY	PART NAME
1	1	CASING

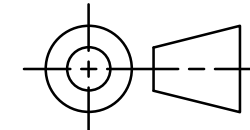
LEGEND:

- ∅ DIAMETER
- R RADIUS
- ° DEGREES
- ┌ COUNTERBORE
- ∇ DEPTH



DIGITAL DESIGN
GRAPHICS
TECHNOLOGY

WWW.DDGT.NET



TOLERANCES UNLESS SPECIFIED:
 DECIMAL INCHES:
 X = ±.020
 XX = ±.010
 XXX = ±.005
 FRACTIONAL ANGLES ±1/64°
 ANGLES ±1 DEGREE
 SURFACES 32√

COURSE: DDGT 120

AUTOCAD DRAWING NAME:
CASING

FIG #: 9-39

DRAFTER: J. BARKER

DATE: 11/6/19

SCALE: 1:2

PAGE #: 2 OF 2