

PARTS LIST

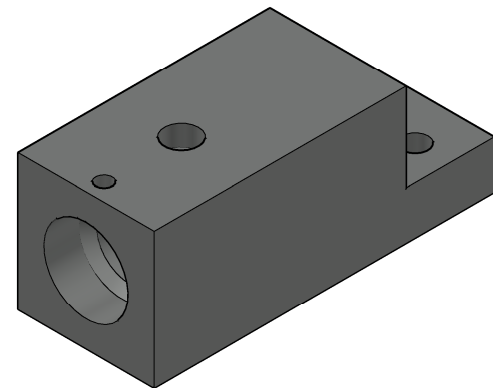
ITEM	QTY.	PART NAME	MATERIAL
1	1	CASING	SAE 1012



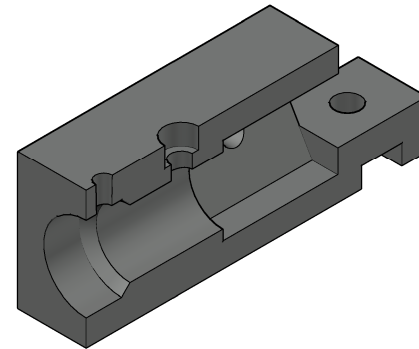
DIGITAL DESIGN
GRAPHICS
TECHNOLOGY

WWW.DDGT.NET

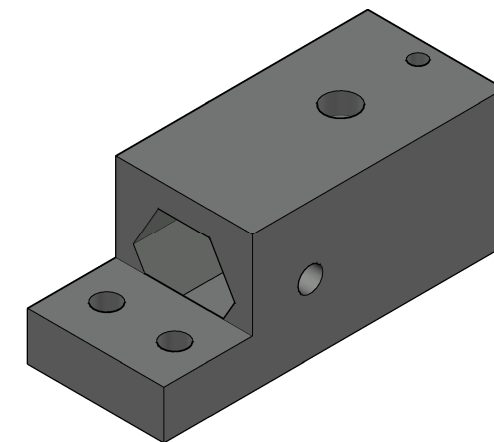
DeGraws' Digital Design
Jacob DeGraw
Phone: (707) 312-0922
jacobdegrow707@gmail.com
http://ddgt.net/StudentPages/jdegrow



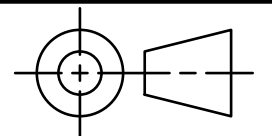
CASING
SCALE 1:2



CASING SECTION
SCALE 1:2



CASING
ALTERNATE VIEW
SCALE 1:2



TOLERANCES UNLESS SPECIFIED:
DECIMAL INCHES:
X = ±.020
XX = ±.010
XXX = ±.005
FRACTIONAL ±1/64"
ANGLES ±1 DEGREE
SURFACES 32/

CLASS: DDGT120

ASSIGNMENT #: 57

AUTOCAD DRAWING NAME:

CASING

FIG #: 9-39

MANAGER: G. STROMMEN

DRAFTER: J. DEGRAW

DATE: 4/2/2023

SCALE: AS NOTED

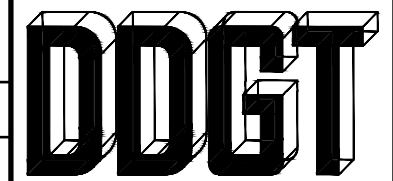
PAGE #: 1 OF 2

LEGEND:

∅ DIAMETER
R RADIUS
° DEGREES
| | COUNTERBORE
∇ DEPTH

PARTS LIST

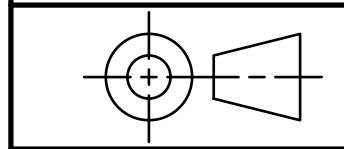
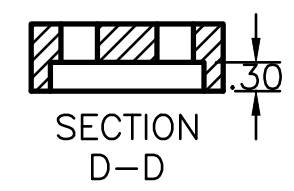
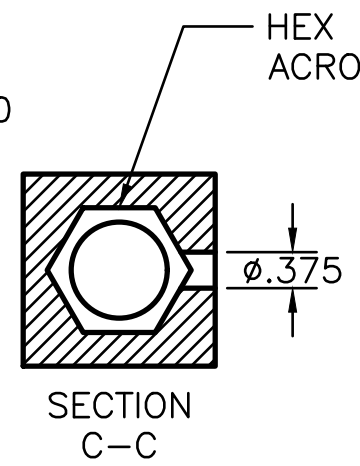
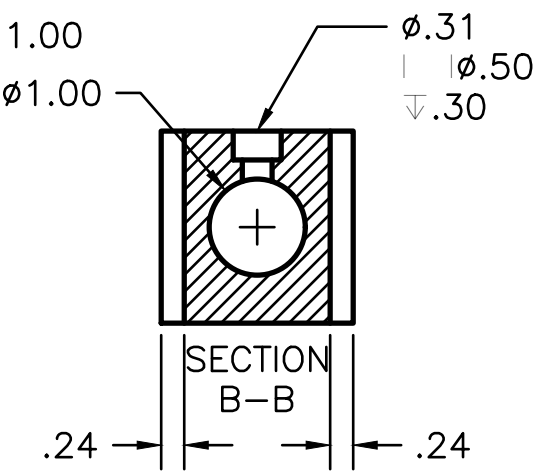
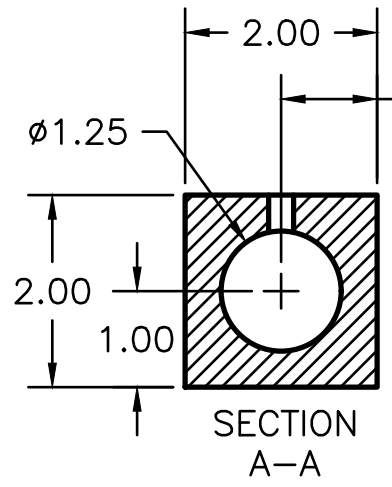
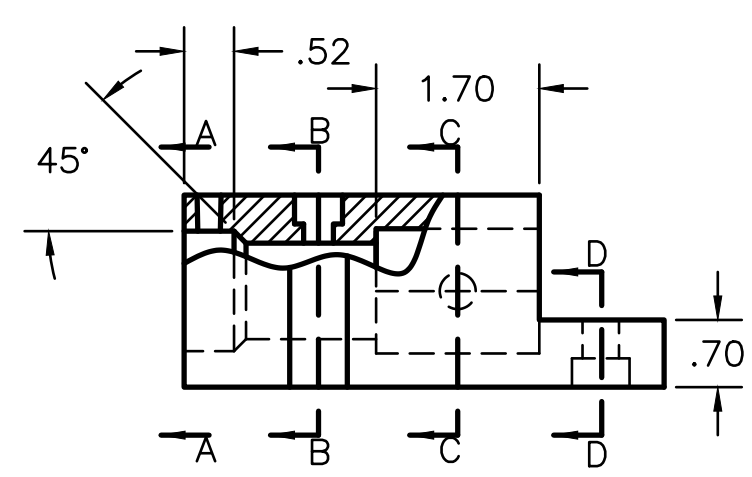
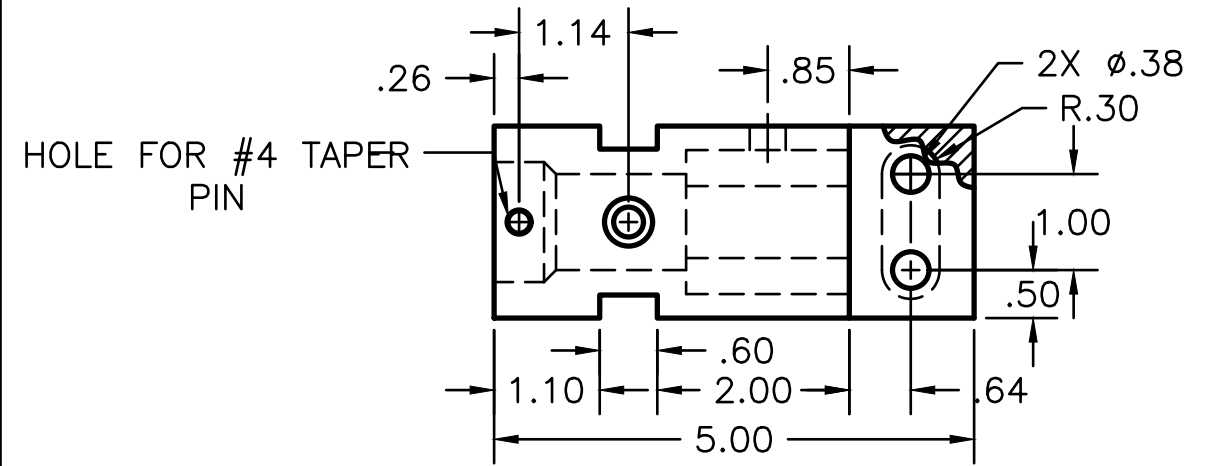
ITEM	QTY.	PART NAME
1	1	CASING



DIGITAL DESIGN
GRAPHICS
TECHNOLOGY

WWW.DDGT.NET

DeGraws' Digital Design
Jacob DeGraw
Phone: (707) 312-0922
jacobdegraw707@gmail.com
http://ddgt.net/StudentPages/jdegraw



TOLERANCES UNLESS SPECIFIED:
DECIMAL INCHES:
X = ±.020
XX = ±.010
XXX = ±.005
FRACTIONAL ±1/64"
ANGLES ±1 DEGREE
SURFACES 32/

CLASS: DDGT120

ASSIGNMENT #: 57

AUTOCAD DRAWING NAME:
CASING

FIG #: 9-39

MANAGER: G. STROMMEN

DRAFTER: J. DEGRAW

DATE: 4/2/2023

SCALE: 1:2

PAGE #: 2 OF 2

LEGEND:

- ø DIAMETER
- R RADIUS
- ° DEGREES
- | | COUNTERBORE
- ∇ DEPTH