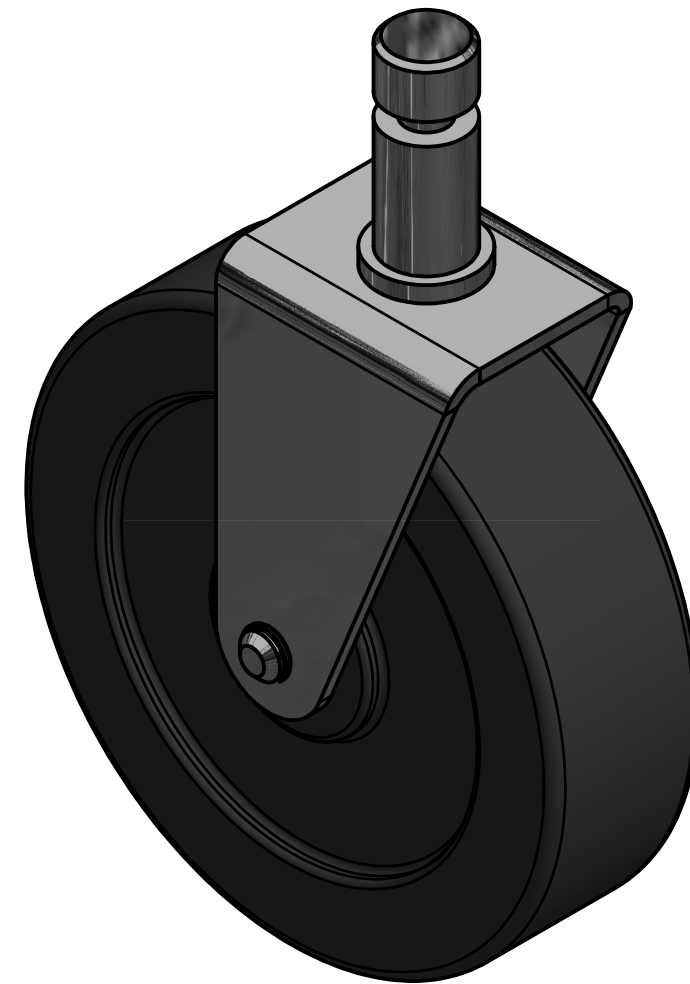


CASTER EXPLODED ASSEMBLY
SCALE 1 / 2

METRIC

PARTS LIST					
ITEM	QTY	PART NUMBER	MATERIAL	DESCRIPTION	
1	1	POST	SAE 1112		
2	1	BRACKET	USS STL	13 GA (2.38)	
3	1	SHAFT	SAE 1112		
4	1	WHEEL	HARD RUBBER		
5	1	BUSHING	BRASS		
6	1	RETAINING RING	STEEL	EXT SERIES 5133	

CASTER ASSEMBLY
SCALE 1 : 1



LEGEND:

- ∅ DIAMETER
- R RADIUS
- ° DEGREES



DIGITAL DESIGN
GRAPHICS
TECHNOLOGY

WWW.DDGT.NET

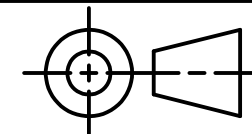


J-TECH

www.ddgt.net/StudentPages/jebuen

**J-TECH
PHOTOGRAPHIC
&
2D-3D DESIGN**

Junest Ebuena
Vallejo, CA
lex101je92@gmail.com



TOLERANCES UNLESS SPECIFIED:
MILLIMETERS:
WHOLE NUMBER = ±.5
X = ±.25
XX = ±.12

ANGLES ± 1 DEGREE
SURFACES ³²✓

COURSE: DDGT120

INVENTOR DRAWING NAME:
CASTER

FIG #: 14-90 CASTER

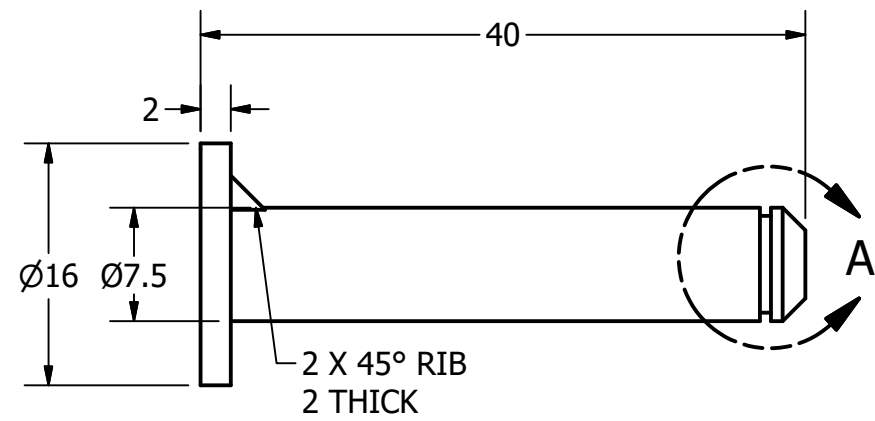
DRAFTER: J.EBUENA

DATE: 12/3/2019

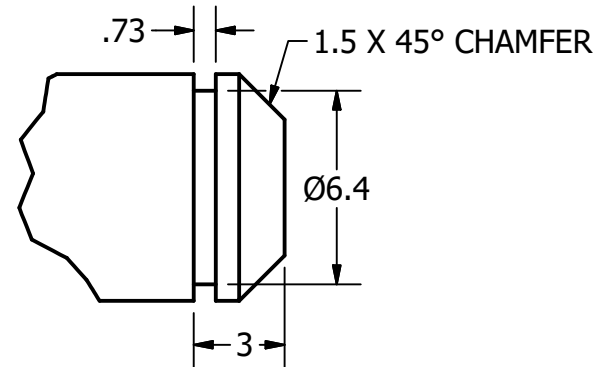
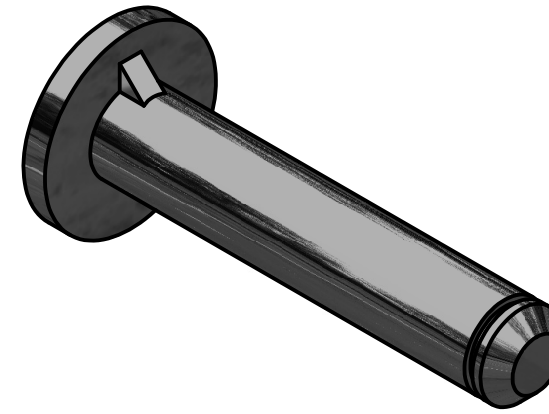
SCALE: AS NOTED

PAGE #: 1 OF 4

METRIC

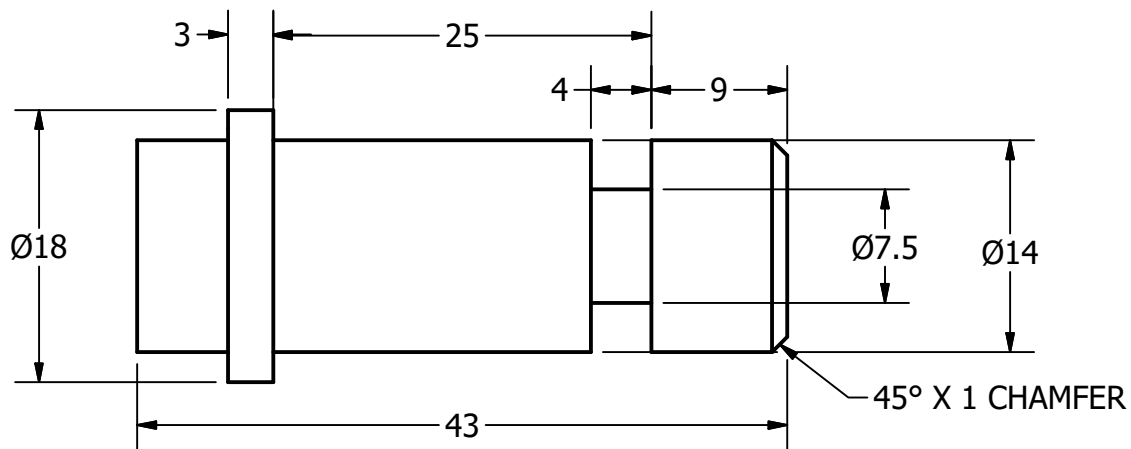
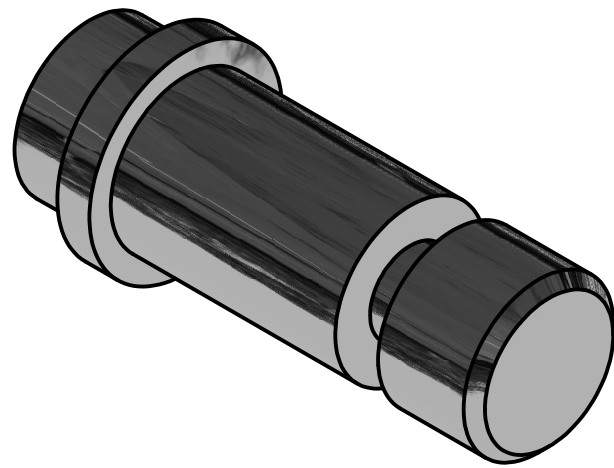


SHAFT
SCALE 2 : 1

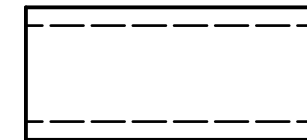
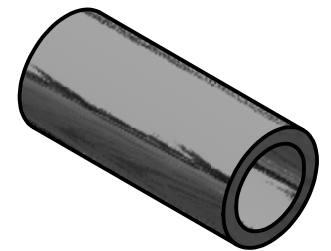


DETAIL A
SCALE 4 : 1

PARTS LIST		
ITEM	QTY	PART NUMBER
1	1	POST
3	1	SHAFT
5	1	BUSHING



POST
SCALE 2 : 1



LEGEND:

- Ø DIAMETER
- R RADIUS
- ° DEGREES



DIGITAL DESIGN
GRAPHICS
TECHNOLOGY

WWW.DDGT.NET

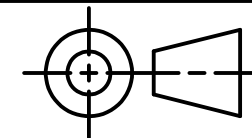


J-TECH

www.ddgt.net/StudentPages/jebuen

J-TECH
PHOTOGRAPHIC
&
2D-3D DESIGN

Junest Ebuena
Vallejo, CA
lex101je92@gmail.com



TOLERANCES UNLESS SPECIFIED:
MILLIMETERS:
WHOLE NUMBER = ±.5
X = ±.25
XX = ±.12

ANGLES ± 1 DEGREE
SURFACES ³²✓

COURSE: DDGT120

INVENTOR DRAWING NAME:
CASTER

FIG #: 14-90 CASTER

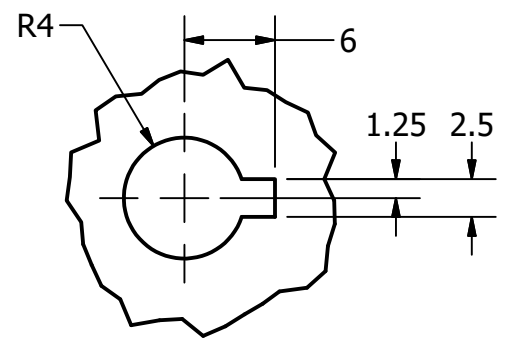
DRAFTER: J.EBUEN

DATE: 12/3/2019

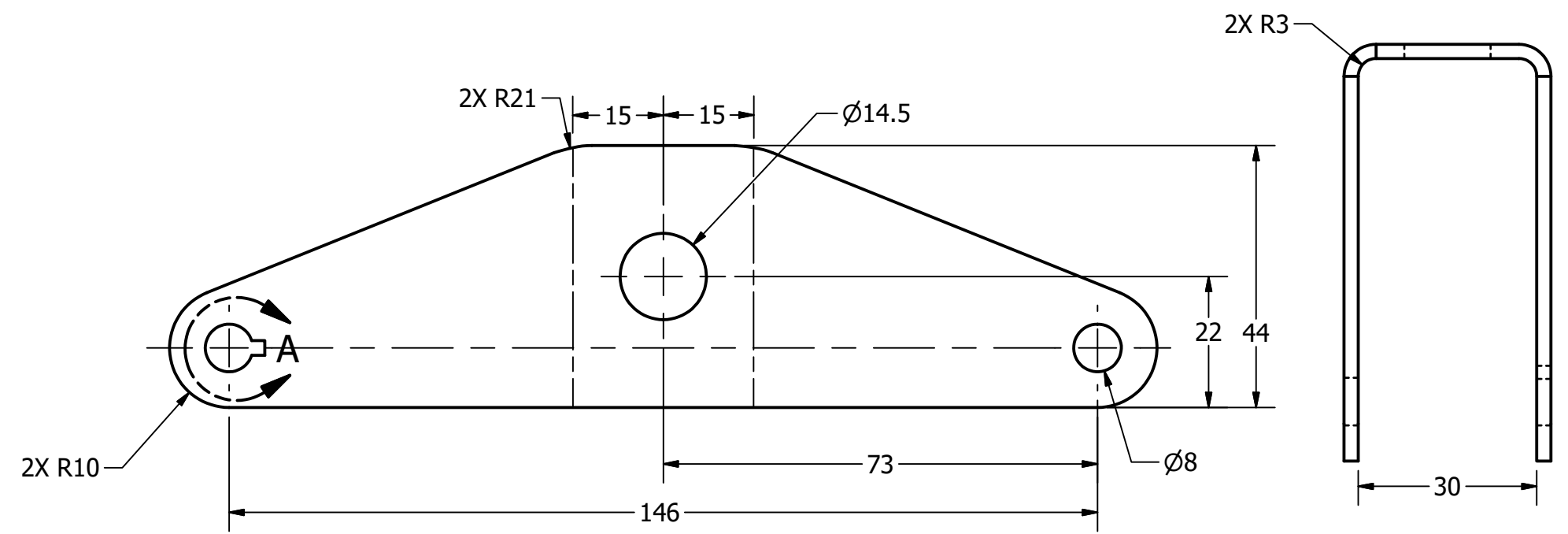
SCALE: AS NOTED

PAGE #: 2 OF 4

PARTS LIST		
ITEM	QTY	PART NUMBER
2	1	BRACKET



DETAIL A
SCALE 2 : 1



BRACKET FLAT PATTERN
SCALE 1 : 1

METRIC

LEGEND:
 Ø DIAMETER
 R RADIUS
 ° DEGREES

DDGT
 DIGITAL DESIGN
 GRAPHICS
 TECHNOLOGY
 WWW.DDGT.NET

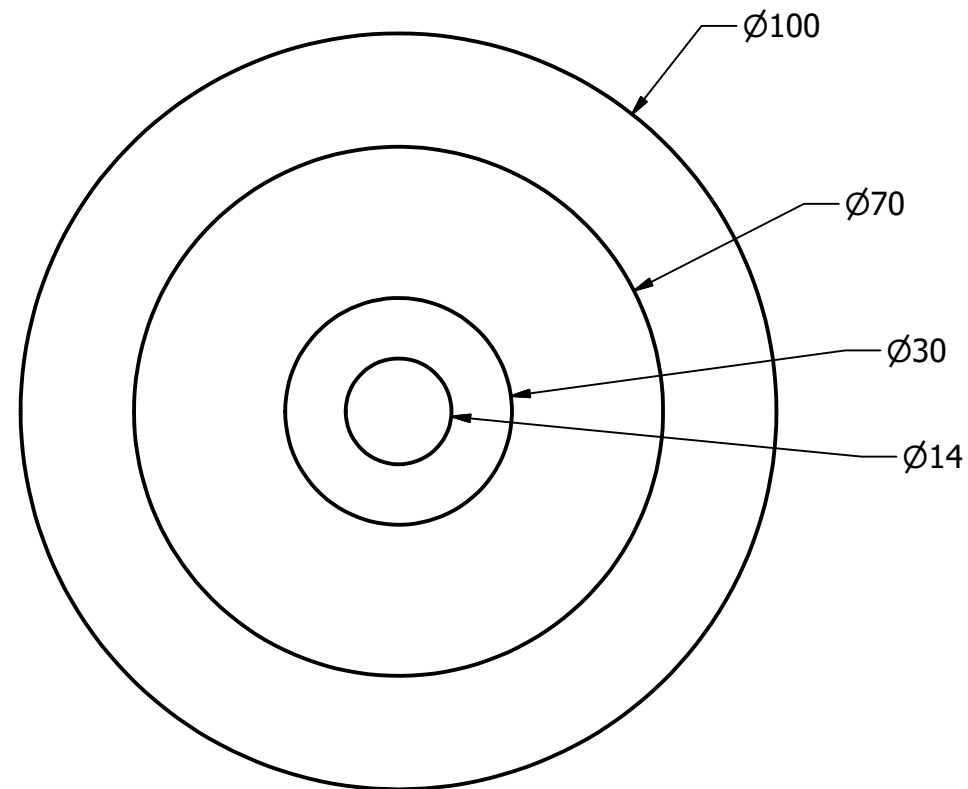
J-TECH
 www.ddgt.net/StudentPages/jebuen

**J-TECH
 PHOTOGRAPHIC
 &
 2D-3D DESIGN**
 Junest Ebuena
 Vallejo, CA
 lex101je92@gmail.com

TOLERANCES UNLESS SPECIFIED:
 MILLIMETERS:
 WHOLE NUMBER = ±.5
 X = ±.25
 XX = ±.12
 ANGLES ± 1 DEGREE
 SURFACES ³² ✓

COURSE:	DDGT120
INVENTOR DRAWING NAME:	CASTER
FIG #:	14-90 CASTER
DRAFTER:	J.EBUEN
DATE:	12/3/2019
SCALE:	AS NOTED
PAGE #:	3 OF 4

PARTS LIST		
ITEM	QTY	PART NUMBER
4	1	WHEEL



wheel
SCALE 1 : 1

METRIC

LEGEND:

- Ø DIAMETER
- R RADIUS
- ° DEGREES



DIGITAL DESIGN
GRAPHICS
TECHNOLOGY

WWW.DDGT.NET

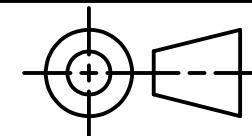


J-TECH

www.ddgt.net/StudentPages/jebuen

**J-TECH
PHOTOGRAPHIC
&
2D-3D DESIGN**

Junest Ebuon
Vallejo, CA
lex101je92@gmail.com



TOLERANCES UNLESS SPECIFIED:
MILLIMETERS:
WHOLE NUMBER = ± 0.5
X = ± 0.25
XX = ± 0.12

ANGLES ± 1 DEGREE
SURFACES $\sqrt{32}$

COURSE:	DDGT120
INVENTOR DRAWING NAME:	CASTER
FIG #:	14-90 CASTER
DRAFTER:	J.EBUEN
DATE:	12/3/2019
SCALE:	AS NOTED
PAGE #:	4 OF 4