

PARTS LIST

ITEM	QTY	PART NUMBER	MATERIAL	DESCRIPTION
1	2	SIDE PLATE SUB ASSEMBLY		SUB-ASSEMBLY
1.1	2	SIDE PLATE	MILD STEEL	
1.2	2	GUIDE	CAST IRON	
1.3	4	RIVET	STANDARD	BUTTON HEAD,Ø10 X 60LG
2	1	HOOK	MILD STEEL	
3	4	WHEEL	CAST IRON	
4	1	AXLE	COLD ROLLED STEEL	
5	4	WHEEL AXLE	COLD ROLLED STEEL	
6	44	ROLLER BEARING	COLD ROLLED STEEL	
7	6	COTTER PIN	STANDARD	Ø6 X 40LG
8	4	LOCKNUT	STANDARD	M16 x 2 (PREVAILING TORQUE INSERT-TYPE)
9	8	ADJUSTING WASHER	STANDARD	Ø26ID X Ø44OD X 4THK
10	4	WASHER	STANDARD	Ø26ID X Ø65OD X 3THK

GENERAL NOTES:

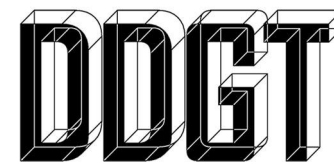
TROLLEY ASSEMBLY TO BE MOUNTED TO S200 X 34 BEAM

LEGEND:

Ø DIAMETER
R RADIUS
° DEGREES

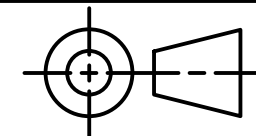
METRIC

TROLLEY SCALE 1 / 2



DIGITAL DESIGN GRAPHICS TECHNOLOGY

WWW.DDGT.NET



TOLERANCES UNLESS SPECIFIED:
MILLIMETERS:
WHOLE NUMBER = ±.5
X = ±.25
XX = ±.12

ANGLES ±1 DEGREE
SURFACES ³² ✓

COURSE: DDGT120

INVENTOR DRAWING NAME:
TROLLEY

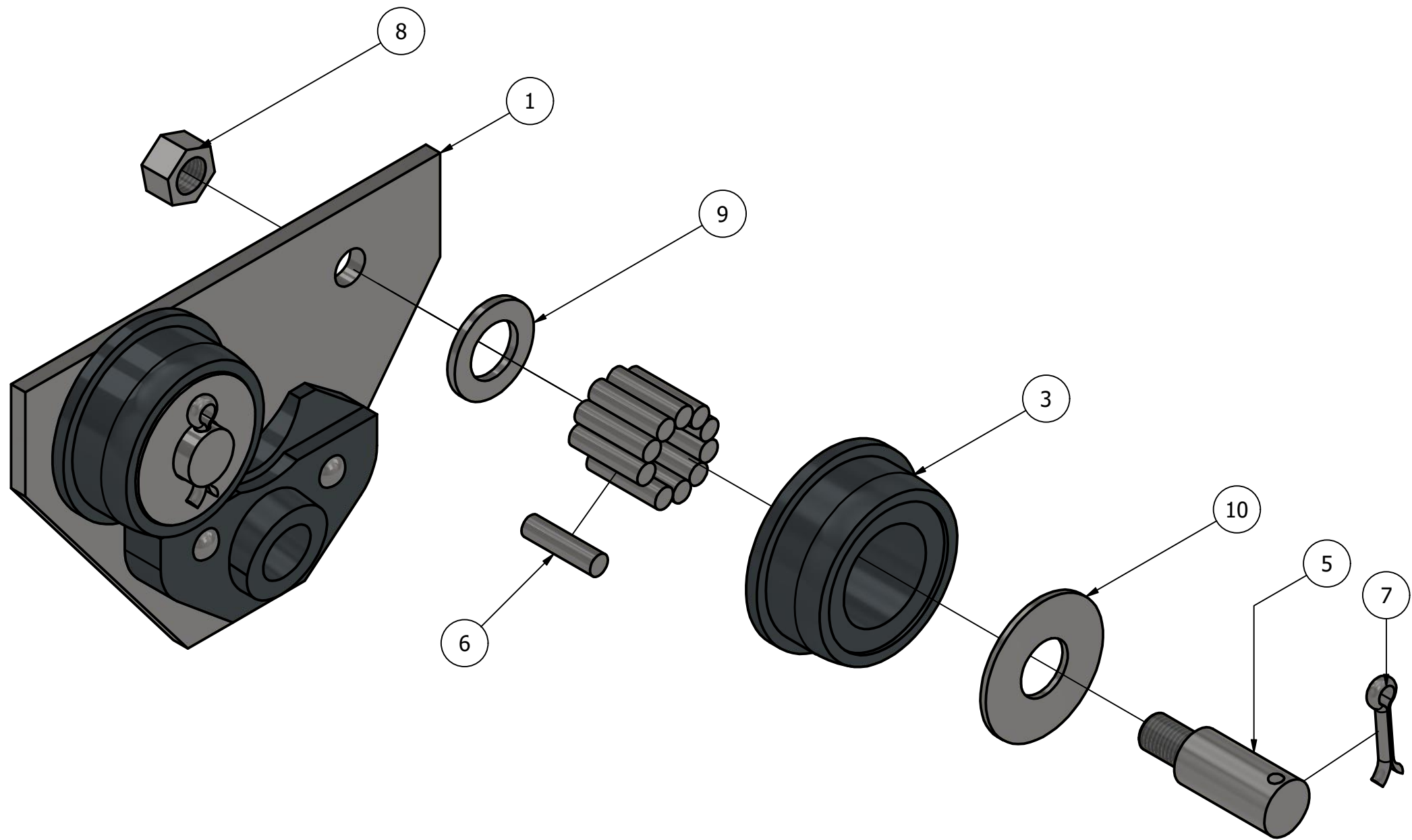
FIG #: 14-83

DRAFTER: J.DE JESUS

DATE: 12/11/2018

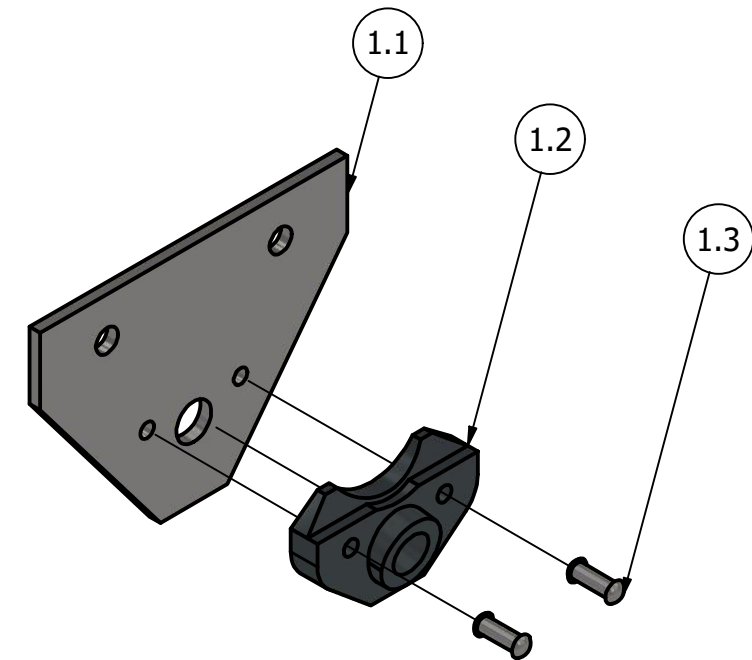
SCALE: AS NOTED

PAGE #: 1 OF 6

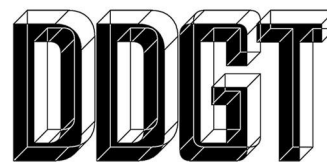


SIDE PLATED EXPLODED ASSEMBLY
SCALE 1 / 2

PARTS LIST		
ITEM	QTY	PART NUMBER
1	2	SIDE PLATE SUB ASSEMBLY
1.1	2	SIDE PLATE
1.2	2	GUIDE
1.3	4	RIVET
2	1	HOOK
3	4	WHEEL
4	1	AXLE
5	4	WHEEL AXLE
6	44	ROLLER BEARING
7	6	COTTER PIN
8	4	LOCKNUT
9	8	ADJUSTING WASHER
10	4	WASHER

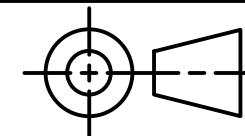


SIDE PLATE EXPLODED SUB-ASSEMBLY
SCALE 1 / 4



DIGITAL DESIGN
GRAPHICS
TECHNOLOGY

WWW.DDGT.NET



TOLERANCES UNLESS SPECIFIED:
MILLIMETERS:
WHOLE NUMBER = ±.5
X = ±.25
XX = ±.12

ANGLES ±1 DEGREE
32
SURFACES ✓

COURSE: DDGT120

INVENTOR DRAWING NAME:
TROLLEY

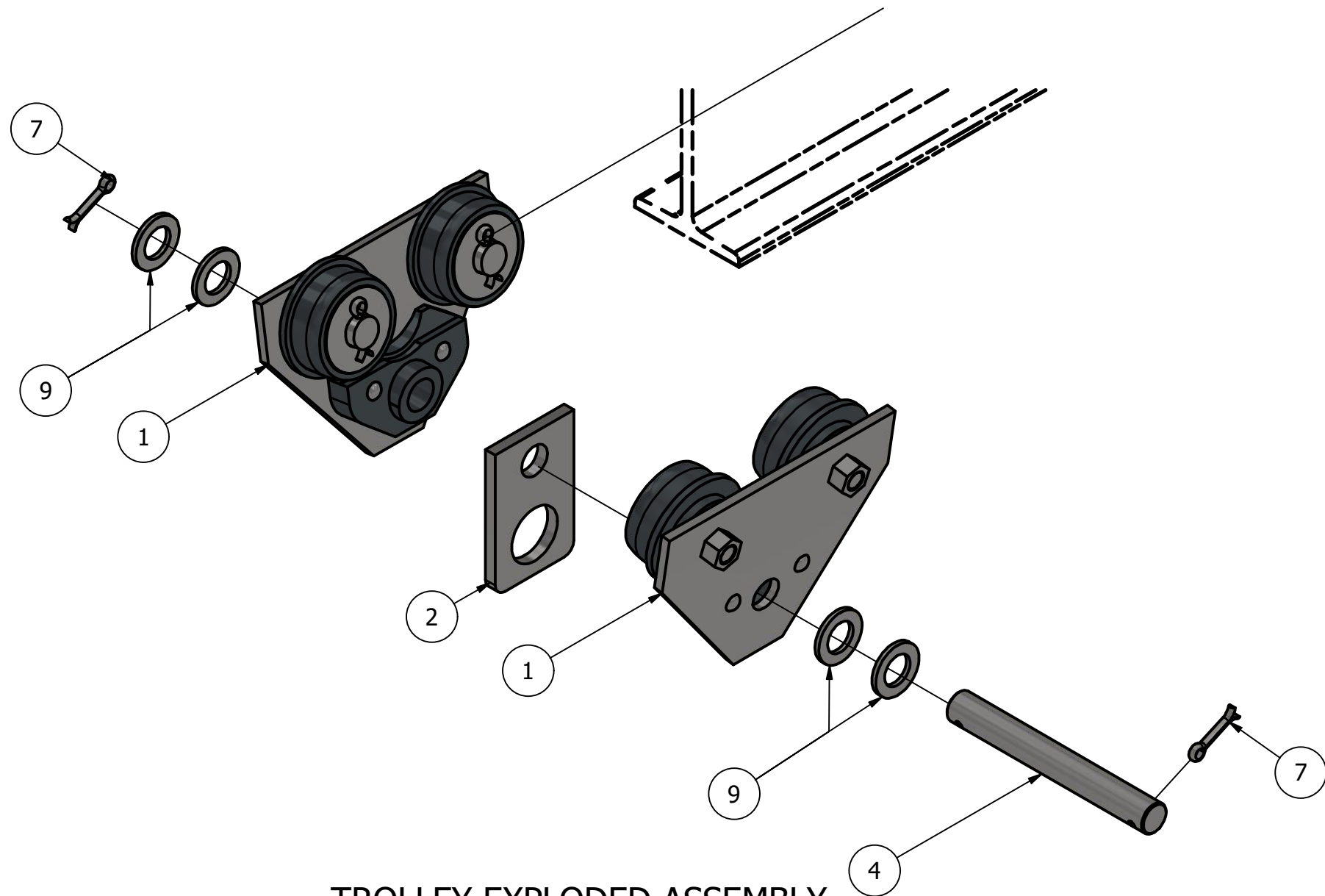
FIG #: 14-83

DRAFTER: J.DE JESUS

DATE: 12/11/2018

SCALE: AS NOTED

PAGE #: 2 OF 6



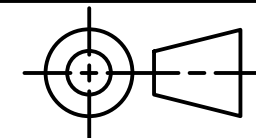
TROLLEY EXPLODED ASSEMBLY
SCALE 1 / 4

PARTS LIST		
ITEM	QTY	PART NUMBER
1	2	SIDE PLATE SUB ASSEMBLY
1.1	2	SIDE PLATE
1.2	2	GUIDE
1.3	4	RIVET
2	1	HOOK
3	4	WHEEL
4	1	AXLE
5	4	WHEEL AXLE
6	44	ROLLER BEARING
7	6	COTTER PIN
8	4	LOCKNUT
9	8	ADJUSTING WASHER
10	4	WASHER



DIGITAL DESIGN
GRAPHICS
TECHNOLOGY

WWW.DDGT.NET



TOLERANCES UNLESS SPECIFIED:
MILLIMETERS:
WHOLE NUMBER = ±.5
X = ±.25
XX = ±.12

ANGLES ±1 DEGREE
32 SURFACES ✓

COURSE: DDGT120

INVENTOR DRAWING NAME:
TROLLEY

FIG #: 14-83

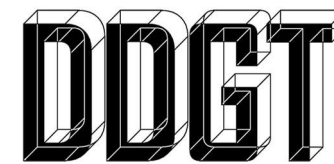
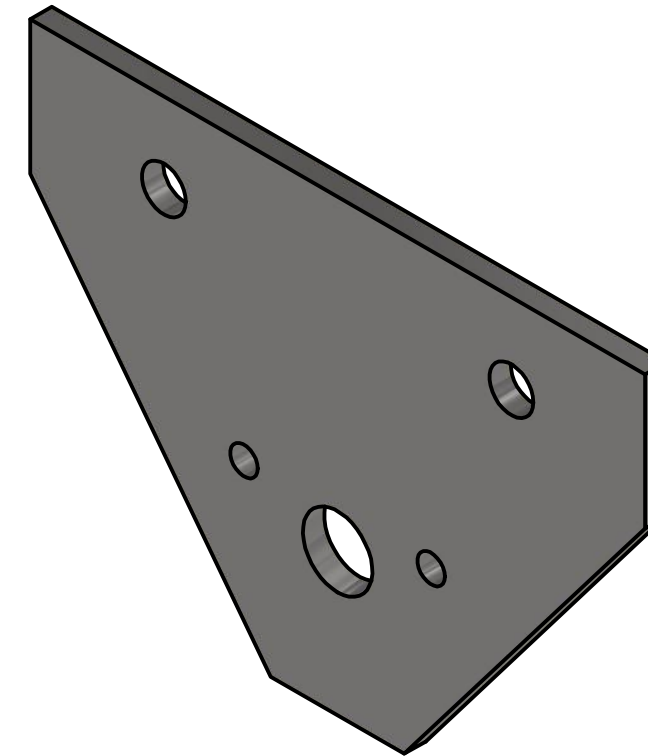
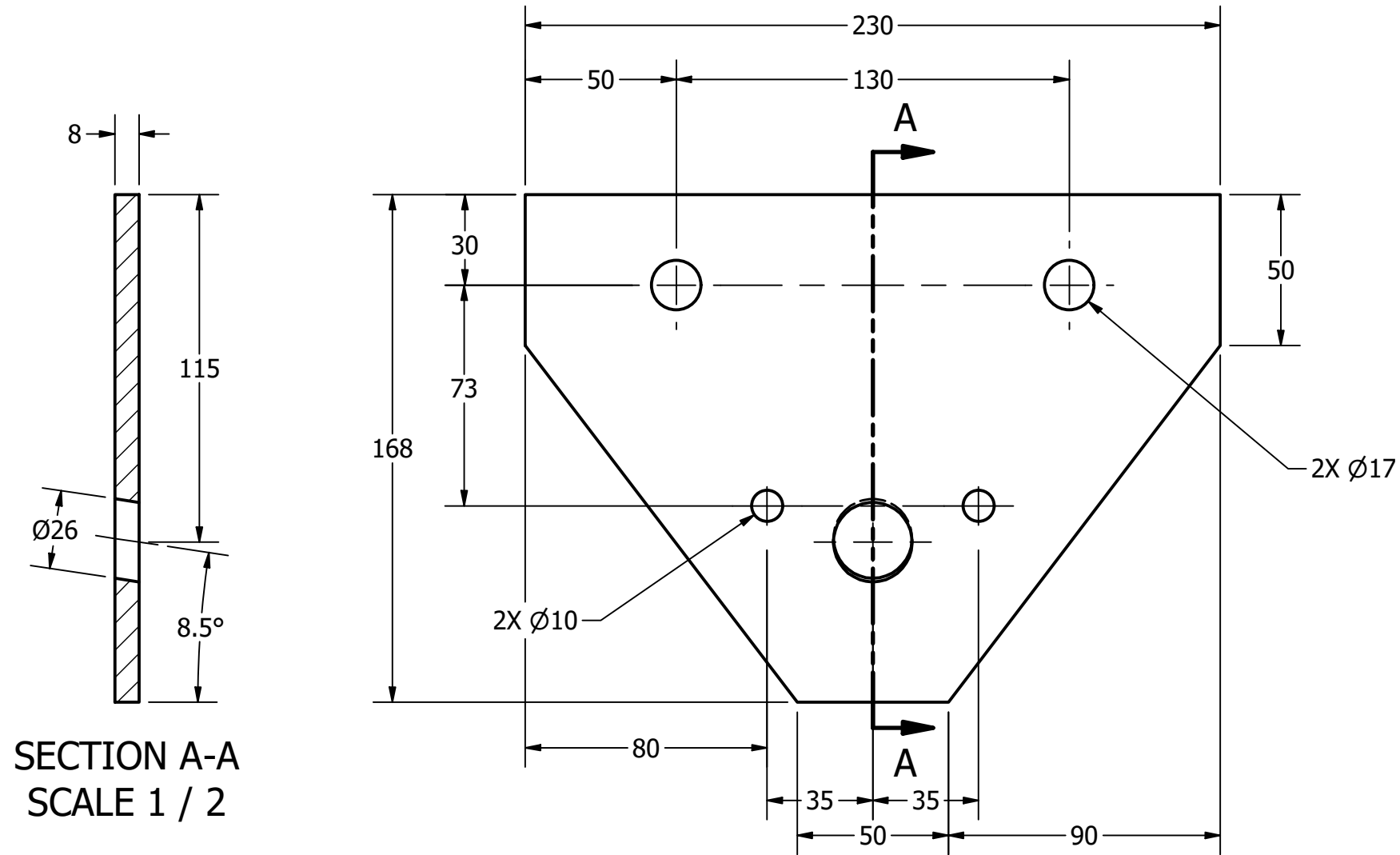
DRAFTER: J.DE JESUS

DATE: 12/11/2018

SCALE: AS NOTED

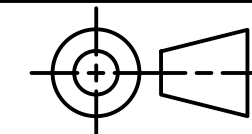
PAGE #: 3 OF 6

PARTS LIST		
ITEM	QTY	PART NUMBER
1.1	4	SIDE PLATE



DIGITAL DESIGN
GRAPHICS
TECHNOLOGY

WWW.DDGT.NET



TOLERANCES UNLESS SPECIFIED:
MILLIMETERS:
WHOLE NUMBER = ±.5
X = ±.25
XX = ±.12

ANGLES ±1 DEGREE
32
SURFACES ✓

COURSE: DDGT120

INVENTOR DRAWING NAME:
TROLLEY

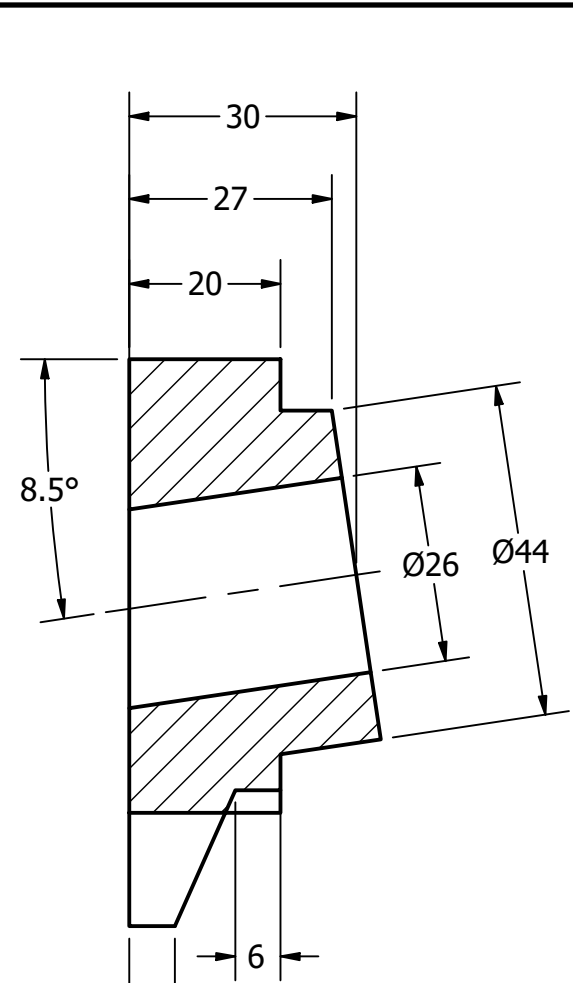
FIG #: 14-83

DRAFTER: J.DE JESUS

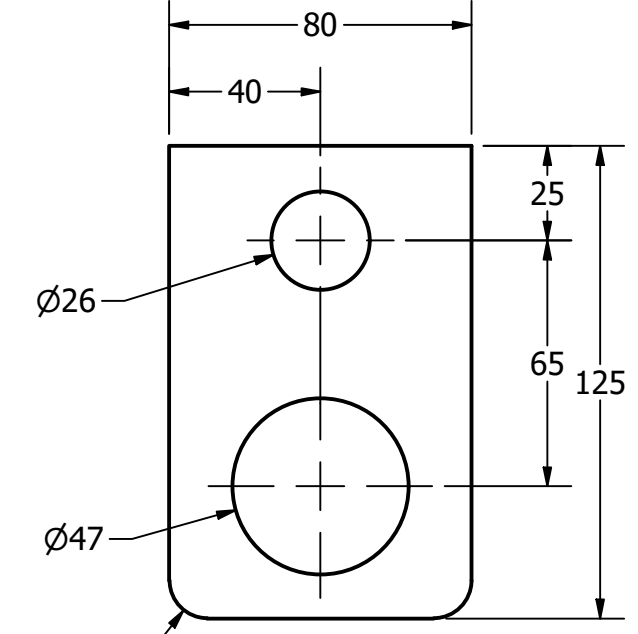
DATE: 12/11/2018

SCALE: AS NOTED

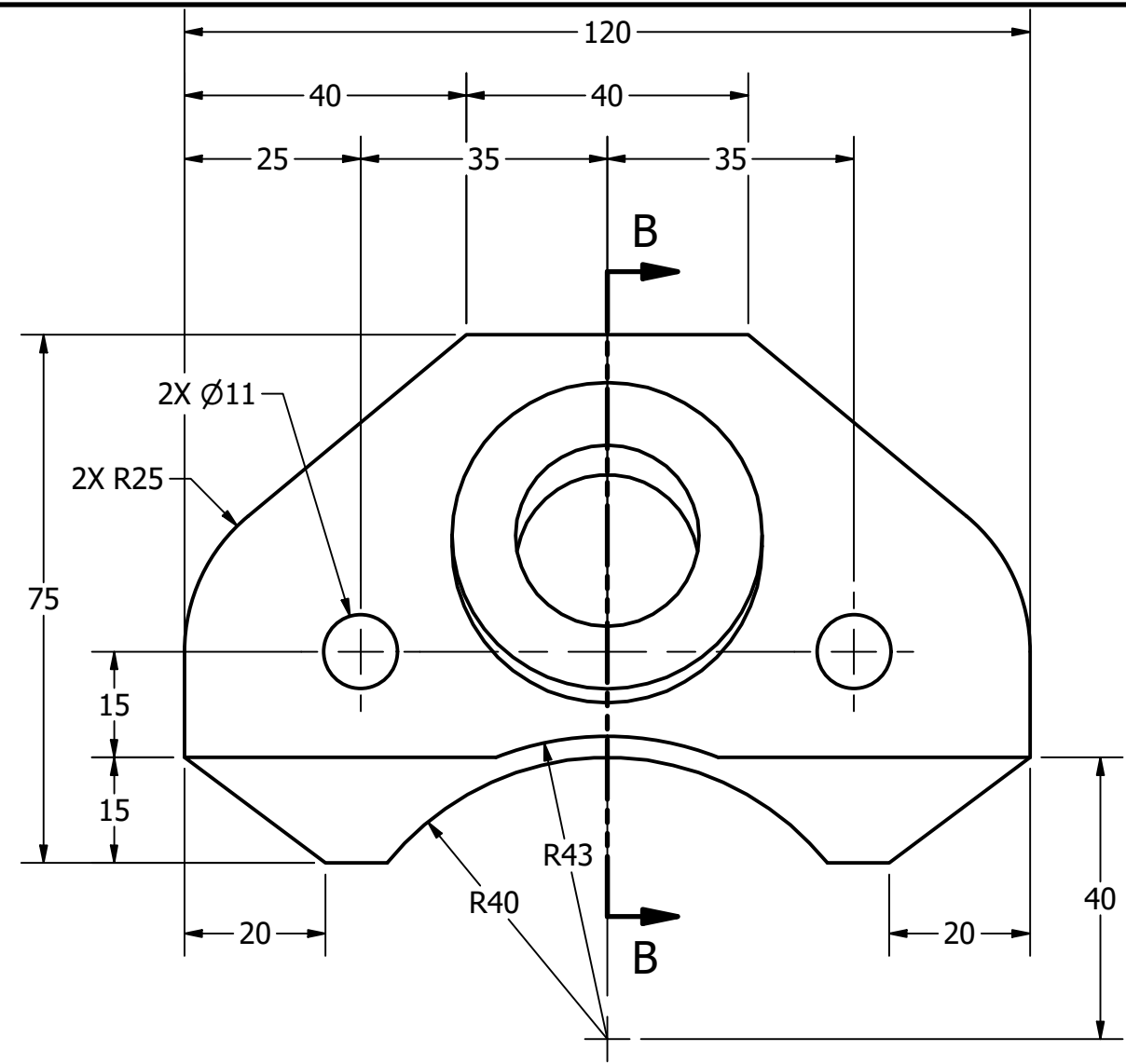
PAGE #: 4 OF 6



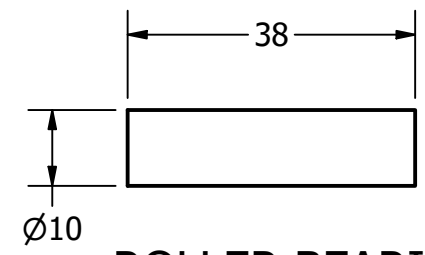
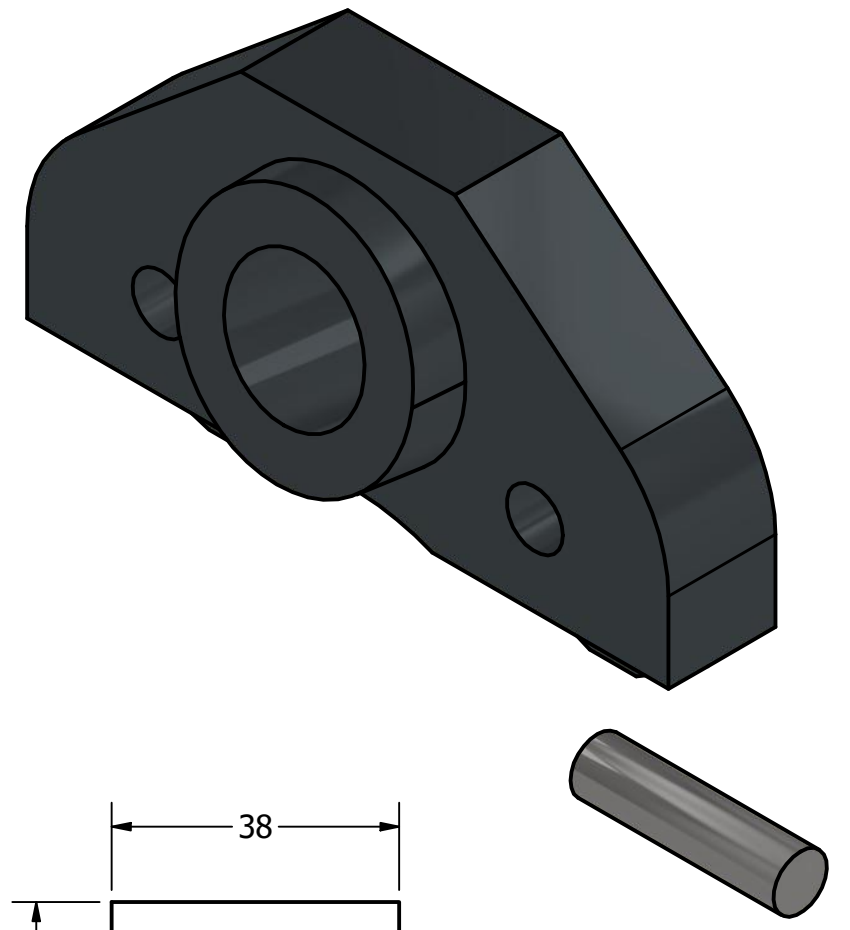
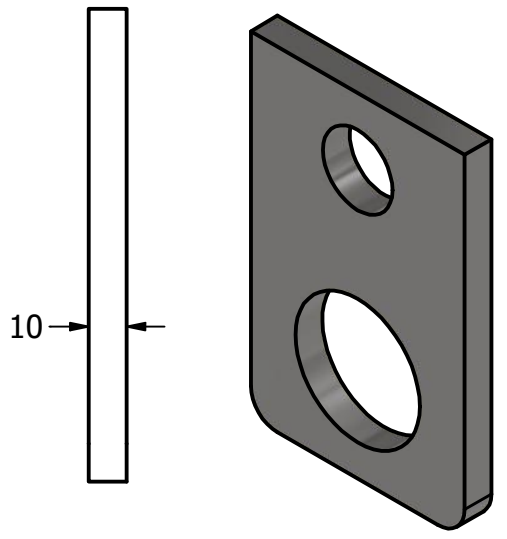
SECTION B-B
SCALE 1 : 1



HOOK
SCALE 1 / 2

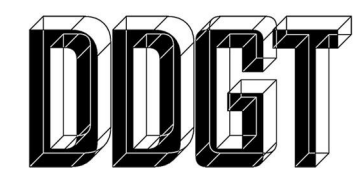


GUIDE
SCALE 1 : 1



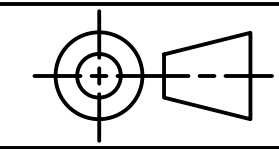
ROLLER BEARING
SCALE 1 : 1

PARTS LIST		
ITEM	QTY	PART NUMBER
1.2	4	GUIDE
2	1	HOOK
6	44	ROLLER BEARING



DIGITAL DESIGN
GRAPHICS
TECHNOLOGY

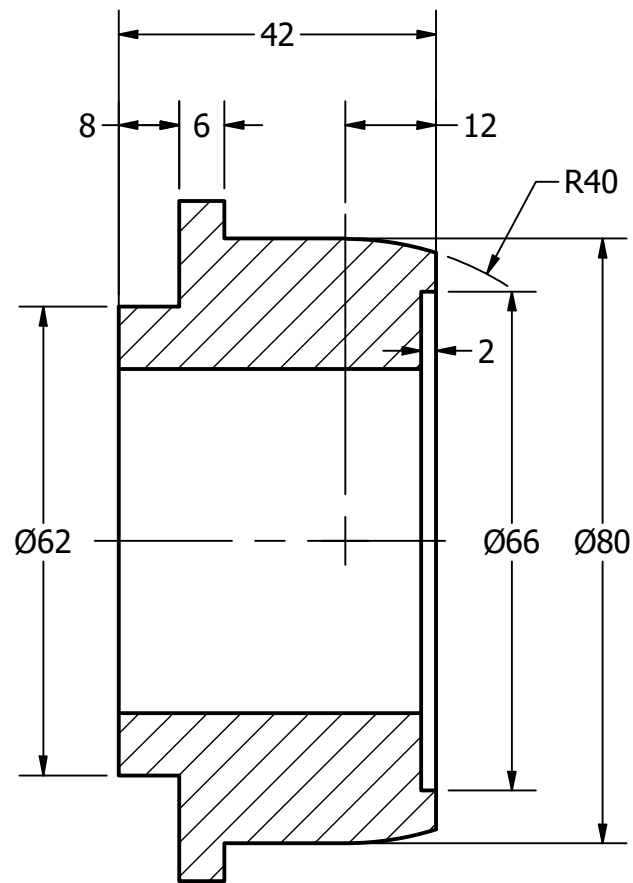
WWW.DDGT.NET



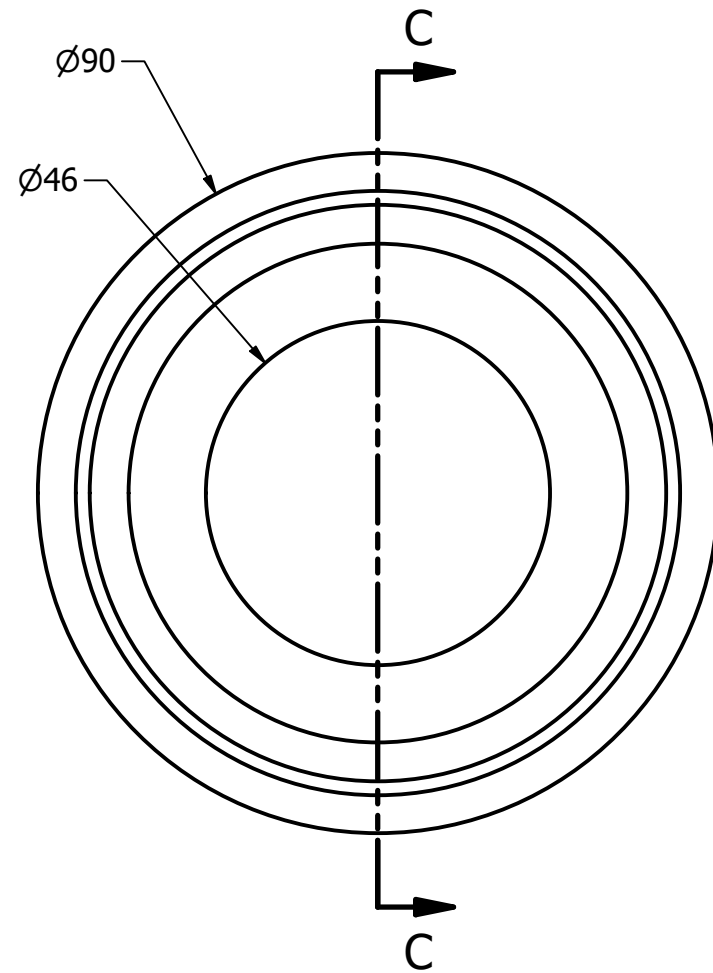
TOLERANCES UNLESS SPECIFIED:
MILLIMETERS:
WHOLE NUMBER = ±.5
X = ±.25
XX = ±.12

ANGLES ±1 DEGREE
32 SURFACES ✓

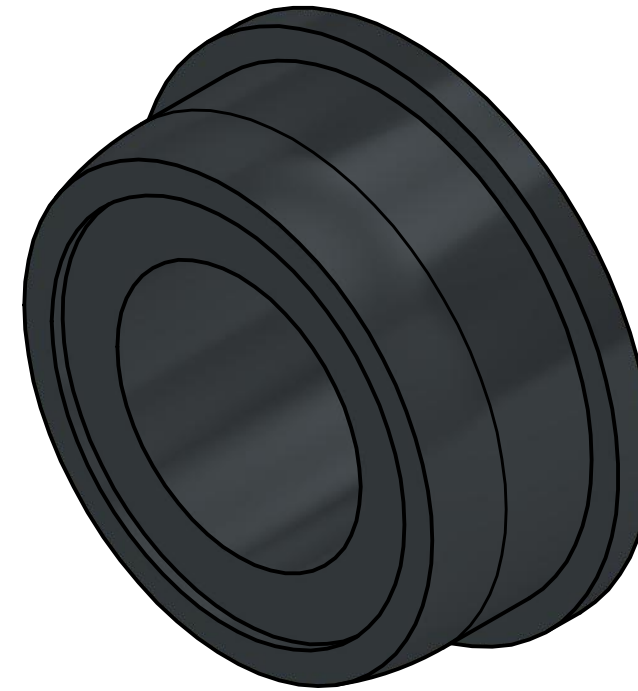
COURSE:	DDGT120
INVENTOR DRAWING NAME:	TROLLEY
FIG #:	14-83
DRAFTER:	J.DE JESUS
DATE:	12/11/2018
SCALE:	AS NOTED
PAGE #:	5 OF 6



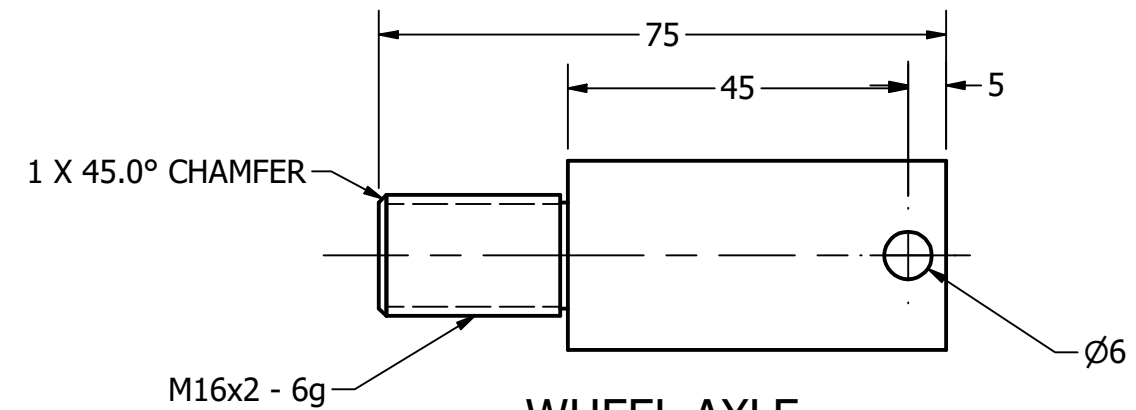
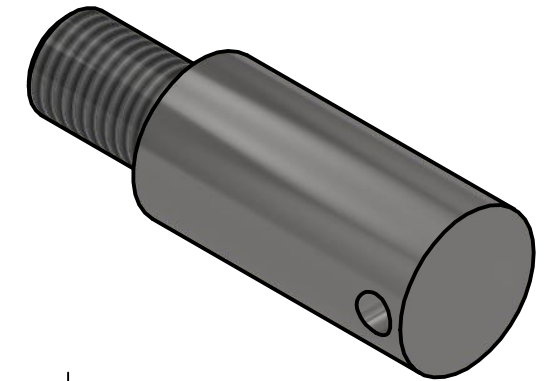
SECTION C-C
SCALE 1 : 1



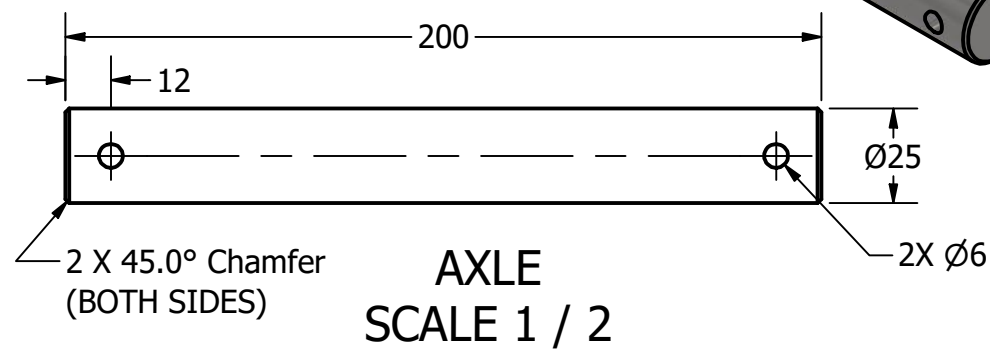
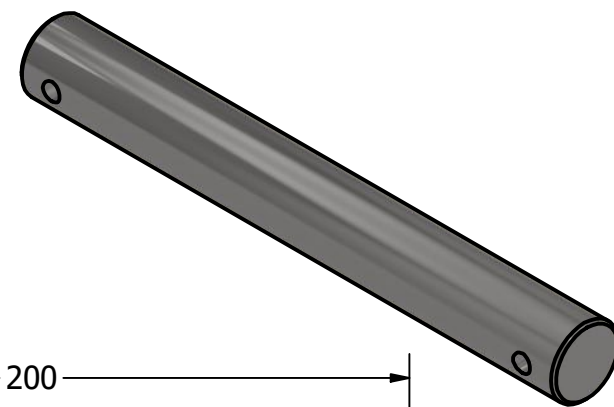
WHEEL
SCALE 1 : 1



PARTS LIST		
ITEM	QTY	PART NUMBER
3	4	WHEEL
4	1	AXLE
5	4	WHEEL AXLE



WHEEL AXLE
SCALE 1 : 1

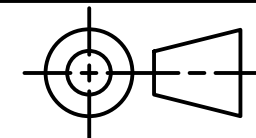


AXLE
SCALE 1 / 2

DDGT

DIGITAL DESIGN
GRAPHICS
TECHNOLOGY

WWW.DDGT.NET



TOLERANCES UNLESS SPECIFIED:
MILLIMETERS:
WHOLE NUMBER = ±.5
X = ±.25
XX = ±.12

ANGLES ±1 DEGREE
32 SURFACES ✓

COURSE: DDGT120

INVENTOR DRAWING NAME:
TROLLEY

FIG #: 14-83

DRAFTER: J.DE JESUS

DATE: 12/11/2018

SCALE: AS NOTED

PAGE #: 6 OF 6