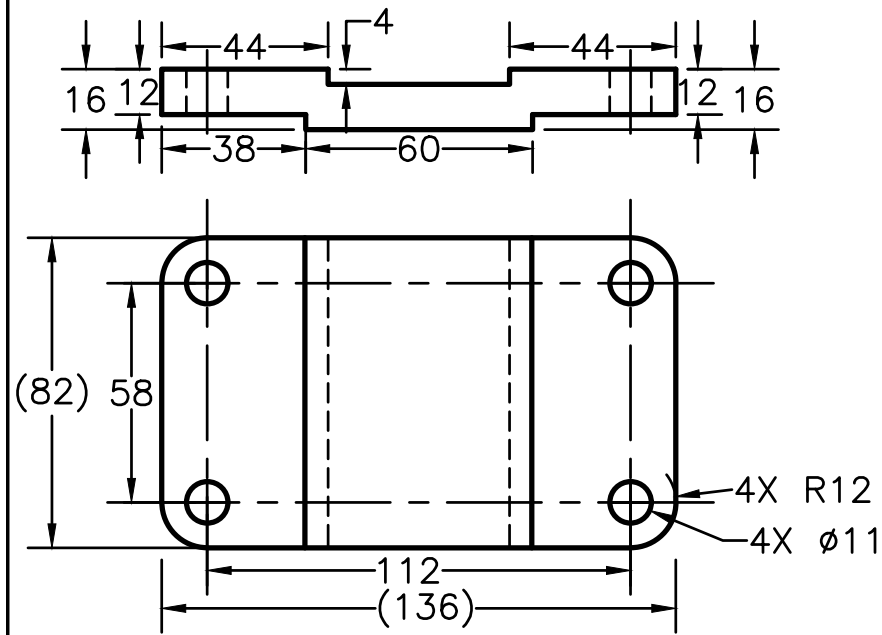
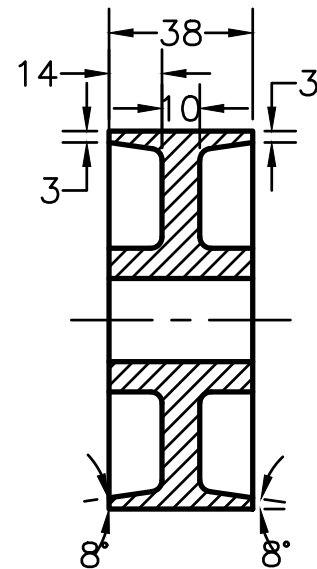


PARTS LIST

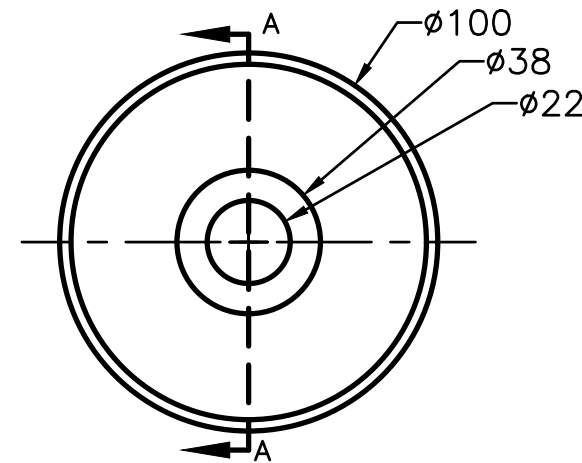
ITEM	QTY.	PART NAME
1	1	TOP PLATE
2	1	WHEEL



TOP PLATE



SECTION
A-A



WHEEL



LEGEND:

- ° DEGREES
- ϕ DIAMETER
- R RADIUS
- ▨ SPOTFACE

METRIC

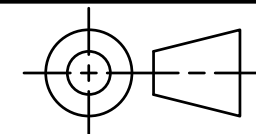
GENERAL NOTES:

- FASTEN ASSEMBLY TO A 6mm STEEL PLATE BY FOUR M10 X 40mm LG HEX HD BOLTS, NUTS AND AND LOCK WASHERS.
- ROUNDS AND FILLETS R3

DDGT

DIGITAL DESIGN
GRAPHICS
TECHNOLOGY

WWW.DDGT.NET



TOLERANCES UNLESS SPECIFIED:
MILLIMETERS:
WHOLE NUMBERS = ± 0.5
X = ± 0.25
XX = ± 0.12
ANGLES ± 1 DEGREE
SURFACES $\sqrt{32}$

COURSE: DDGT120

AUTOCAD DRAWING NAME:
CASTER

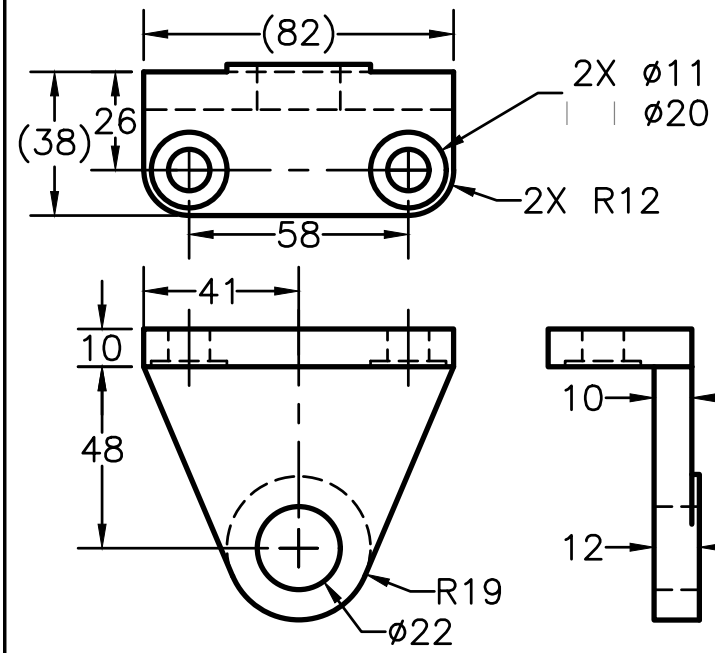
FIG #: 9-51

DRAFTER: J. DE JESUS

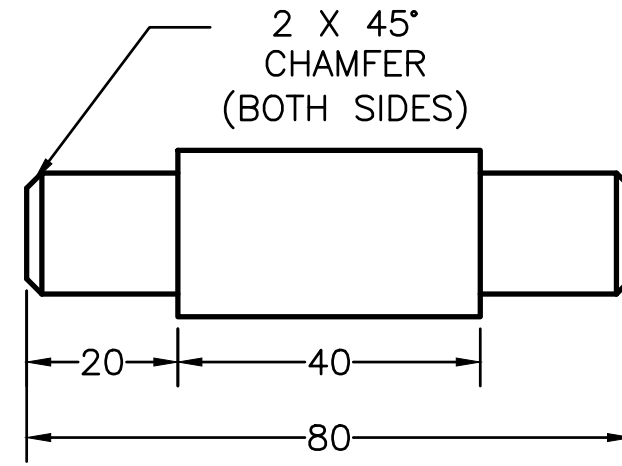
DATE: 10/25/2018

SCALE: 1:2

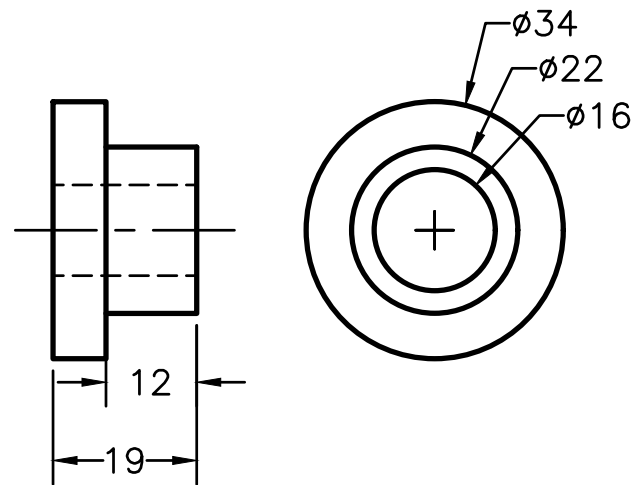
PAGE #: 2 OF 3



AXLE SUPPORT
SCALE 1:2



AXLE
SCALE 1:1



BUSHING
SCALE 1:1

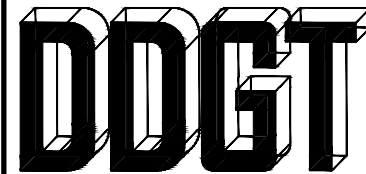


PARTS LIST		
3	2	AXLE SUPPORT
4	1	AXLE
5	2	BUSHING

METRIC

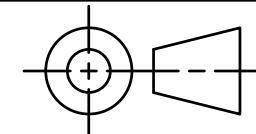
GENERAL NOTES:

- FASTEN ASSEMBLY TO A 6mm STEEL PLATE BY FOUR M10 X 40mm LG HEX HD BOLTS, NUTS AND AND LOCK WASHERS.
- ROUNDS AND FILLETS R3



DIGITAL DESIGN
GRAPHICS
TECHNOLOGY

WWW.DDGT.NET



TOLERANCES UNLESS SPECIFIED:
MILLIMETERS:
WHOLE NUMBERS = ±0.5
X = ±0.25
XX = ±0.12
ANGLES ±1 DEGREE
SURFACES 32/

LEGEND:

- ° DEGREES
- Ø DIAMETER
- R RADIUS
- ⊕ SPOTFACE

COURSE: DDGT120

AUTOCAD DRAWING NAME:
CASTER

FIG #: 9-51

DRAFTER: J. DE JESUS

DATE: 10/25/2018

SCALE: AS NOTED

PAGE #: 3 OF 3