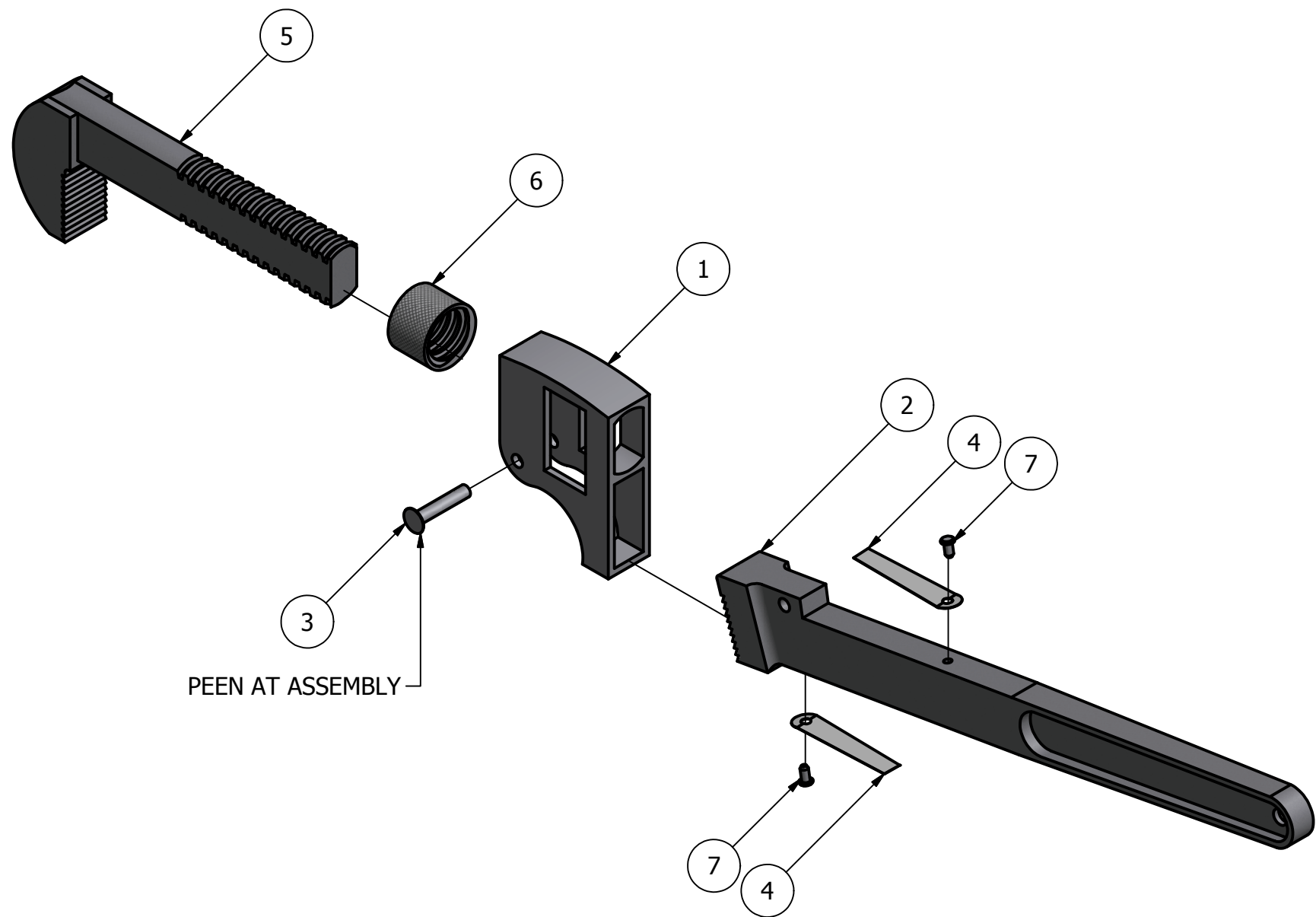


PARTS LIST				
ITEM	QTY	PART NUMBER	DESCRIPTION	MATERIAL
1	1	HEAD		CAST IRON
2	1	HANDLE		FORGED STEEL
3	1	BUTTON HEAD RIVET		STEEL
4	2	SPRING		SPRING STEEL #20 (-032)
5	1	MOVABLE JAW		FORGED STEEL
6	1	ADJUSTING NUT		STEEL
7	2	GROOVED STUD	#6X .31LG DRIVE-LOK	STEEL

STILLSON WRENCH
SCALE 1 : 1

DIGITAL DESIGN GRAPHICS TECHNOLOGY	NAME:	JIM KISIEL	DWG NAME:	STILLSON WRENCH	SHEET NO.
	COURSE:	DDGT 120			1 OF 5
	DATE:	3/15/2011			

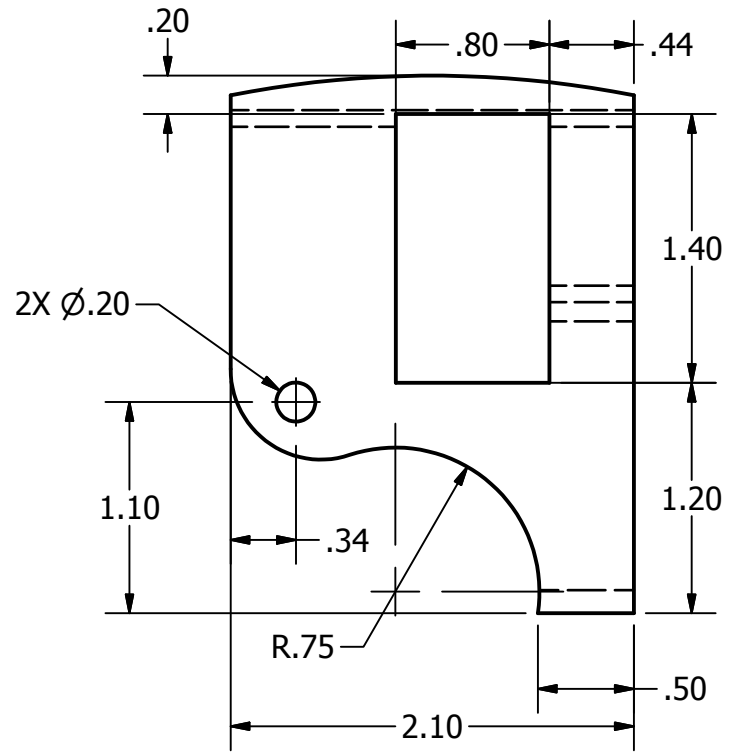


PARTS LIST		
ITEM	QTY	PART NUMBER
1	1	HEAD
2	1	HANDLE
3	1	BUTTON HEAD RIVET
4	2	SPRING
5	1	MOVABLE JAW
6	1	ADJUSTING NUT
7	2	GROOVED STUD

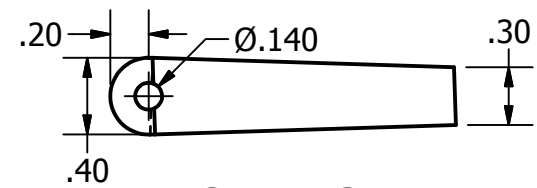
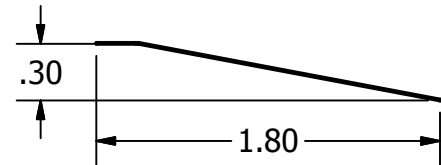
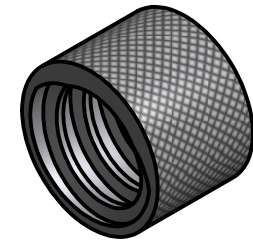
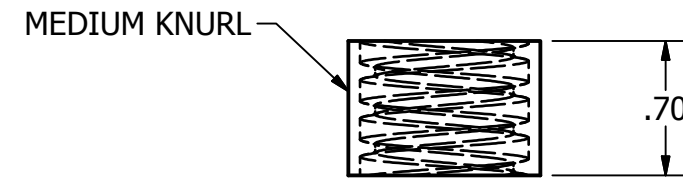
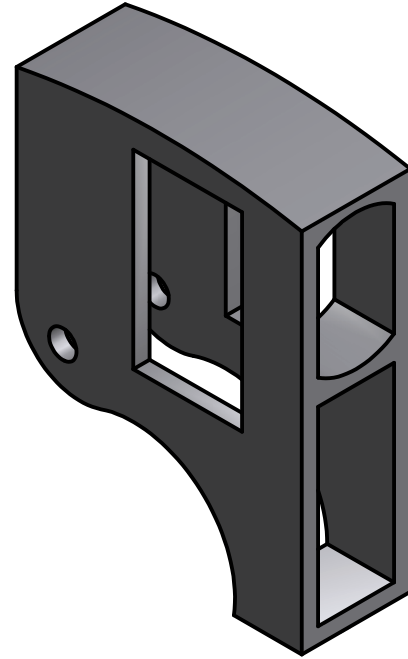
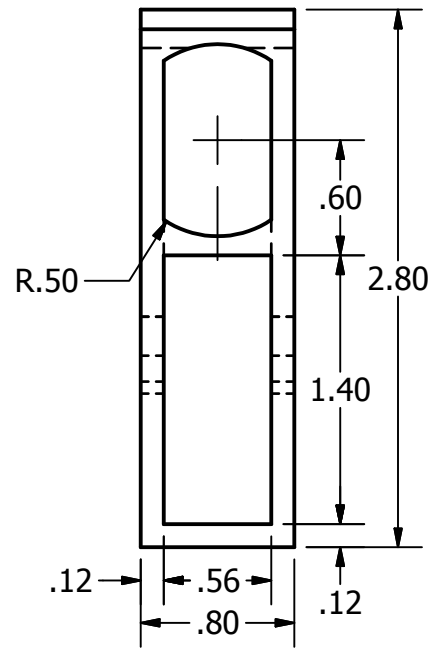
STILLSON WRENCH EXPLODED ASSEMBLY
SCALE 1 / 2

DIGITAL DESIGN GRAPHICS TECHNOLOGY	NAME:	JIM KISIEL	DWG NAME:	STILLSON WRENCH	SHEET NO.
	COURSE:	DDGT 120			2 OF 5
	DATE:	3/15/2011			

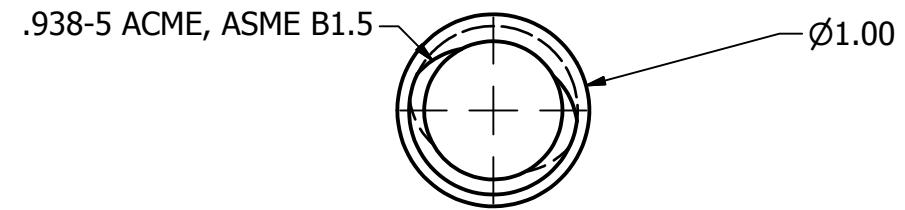
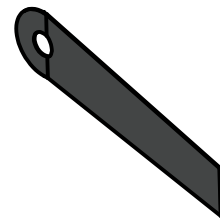
PARTS LIST		
ITEM	QTY	PART NUMBER
1	1	HEAD
4	2	SPRING
6	1	ADJUSTING NUT



HEAD
SCALE 1 : 1



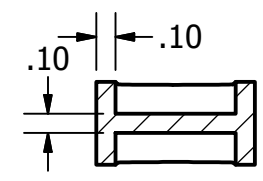
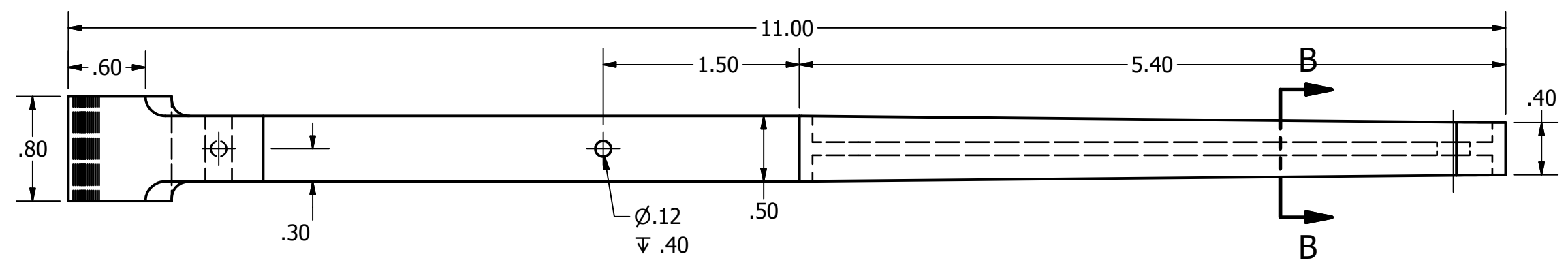
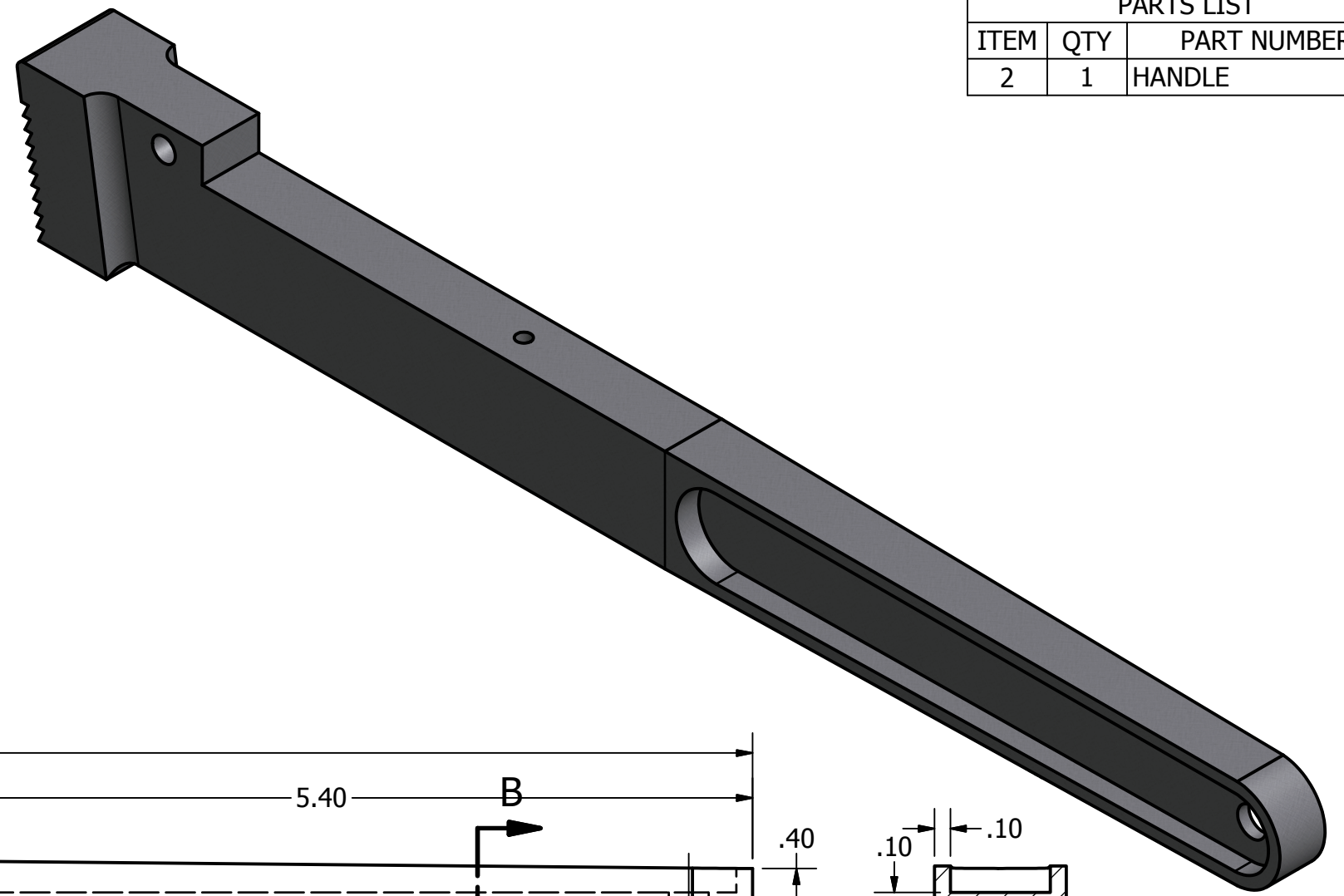
SPRING
SCALE 1 : 1



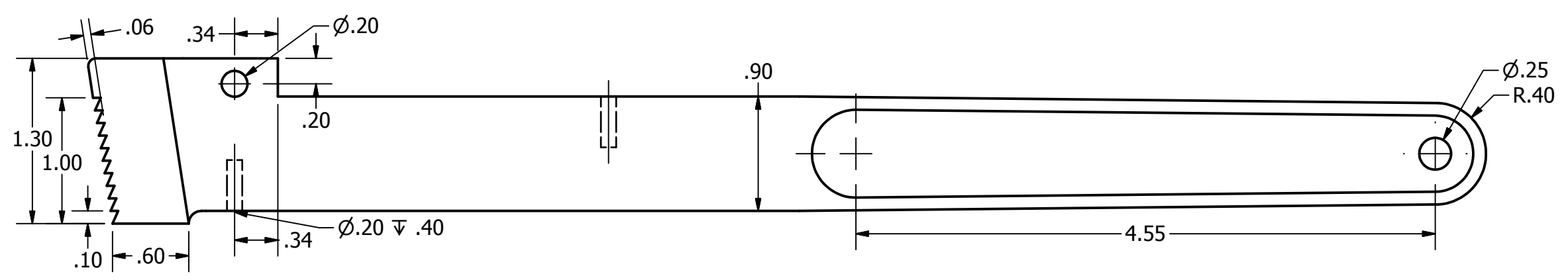
ADJUSTING NUT
SCALE 1 : 1

DIGITAL DESIGN GRAPHICS TECHNOLOGY	NAME:	JIM KISIEL	DWG NAME:	STILLSON WRENCH	SHEET NO.	3 OF 5
	COURSE:	DDGT 120				
	DATE:	3/15/2011				

PARTS LIST		
ITEM	QTY	PART NUMBER
2	1	HANDLE



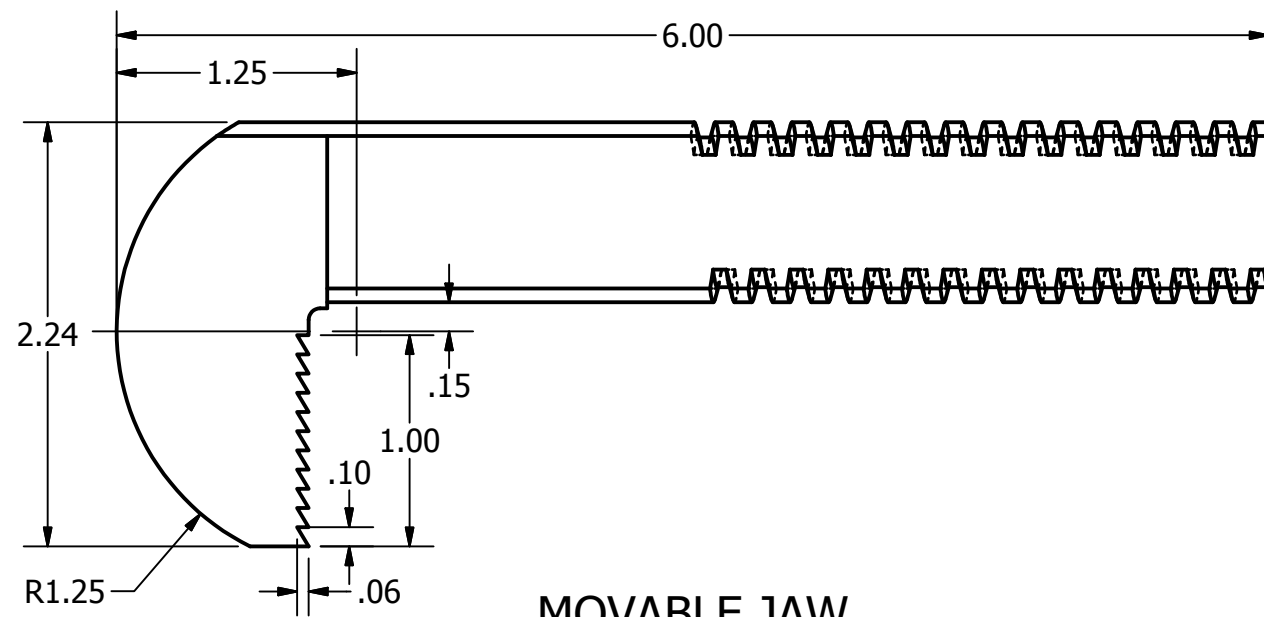
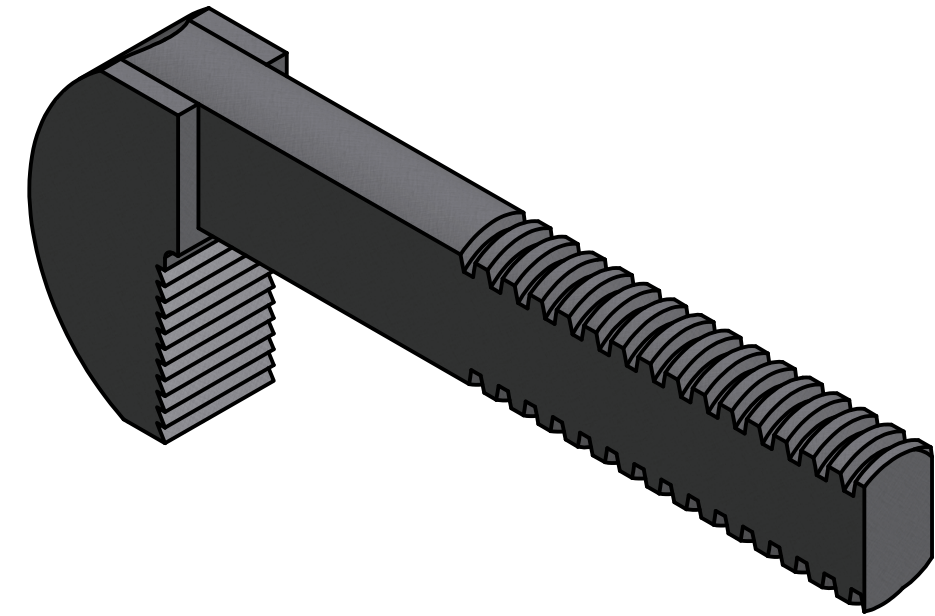
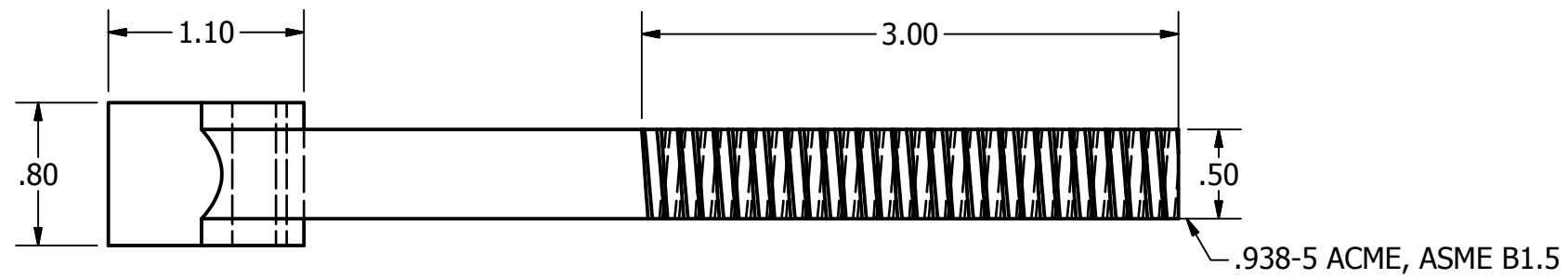
SECTION B-B
SCALE 1 : 1



HANDLE
SCALE 1 : 1

DIGITAL DESIGN GRAPHICS TECHNOLOGY	NAME:	JIM KISIEL	DWG NAME:	STILLSON WRENCH	SHEET NO.	4 OF 5
	COURSE:	DDGT 120				
	DATE:	3/15/2011				

PARTS LIST		
ITEM	QTY	PART NUMBER
5	1	MOVABLE JAW



MOVABLE JAW
SCALE 1 : 1

DIGITAL DESIGN GRAPHICS TECHNOLOGY	NAME:	JIM KISIEL	DWG NAME:	STILLSON WRENCH	SHEET NO.	5 OF 5
	COURSE:	DDGT 120				
	DATE:	3/15/2011				