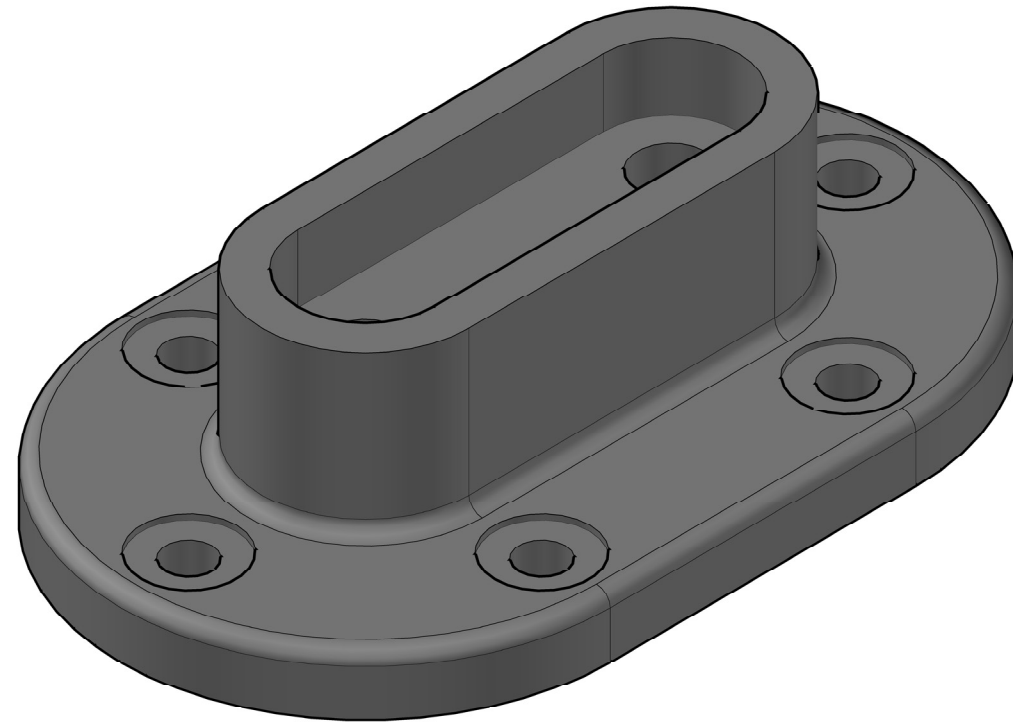
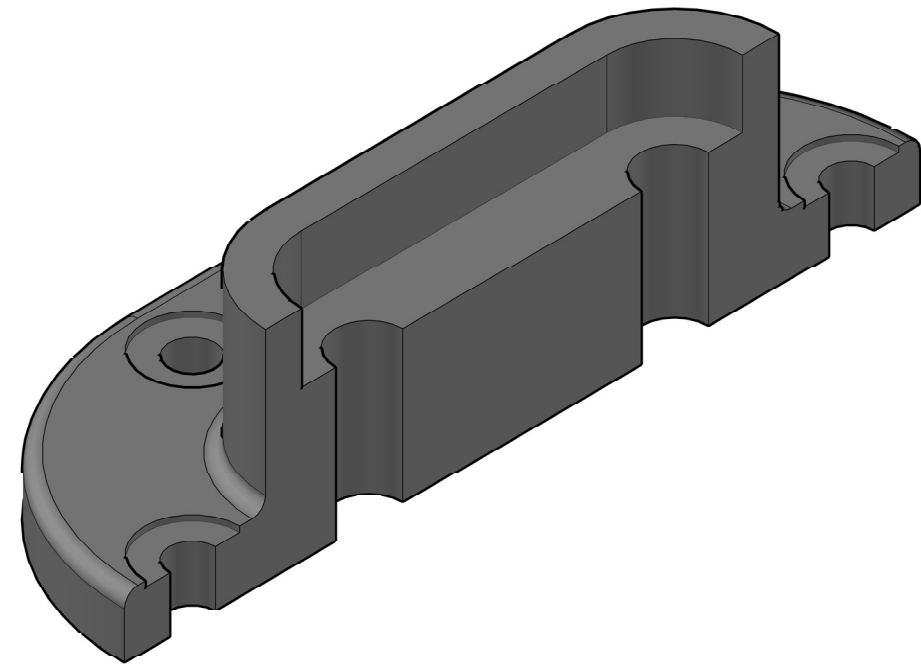


PARTS LIST

ITEM	QTY.	PART NAME	MATERIAL
1	1	SHAFT BASE	MALLEABLE IRON



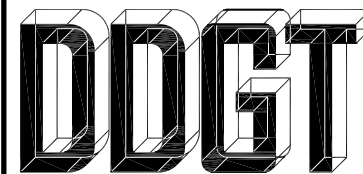
SHAFT BASE



SHAFT BASE SECTION

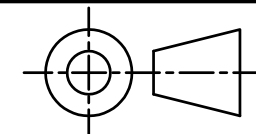
LEGEND:

- ° DEGREES
- ∅ DIAMETER
- R RADIUS
- SPOTFACE



DIGITAL DESIGN
GRAPHICS
TECHNOLOGY

WWW.DDGT.NET



TOLERANCES UNLESS SPECIFIED:
 DECIMAL INCHES:
 X = ±.020
 XX = ±.010
 XXX = ±.005
 FRACTIONAL ±1/64"
 ANGLES ± DEGREE
 SURFACES 32 ✓

COURSE: DDGT120

AUTOCAD DRAWING NAME:

SHAFT BASE

FIG#: 9-35

DRAFTER: J. LARA

DATE: 12/5/17

SCALE: 1:1

PAGE #: 1 OF 2