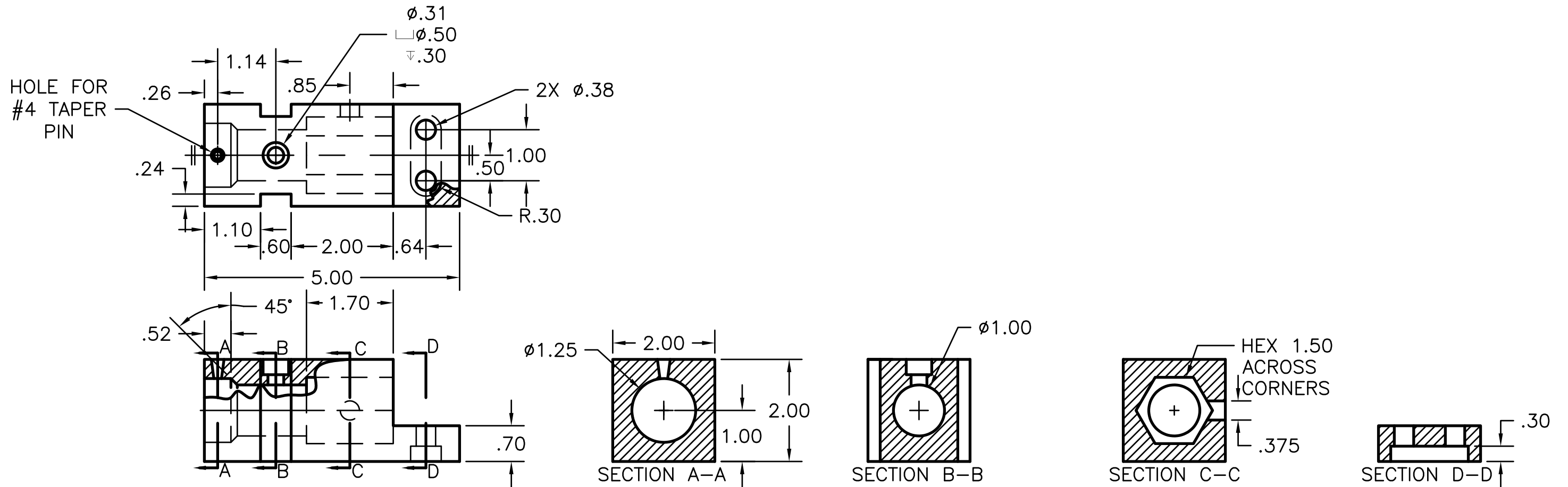


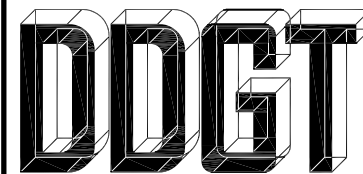
PARTS LIST

ITEM	QTY.	PART NAME	MATERIAL
1	1	CASING	SAE 1012



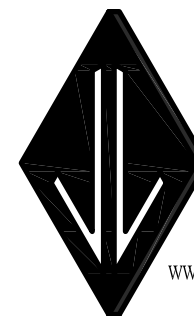
LEGEND:

- ° DEGREES
- ∅ DIAMETER
- R RADIUS
- ┌ COUNTER BORE
- ∇ DEPTH



DIGITAL DESIGN
GRAPHICS
TECHNOLOGY

WWW.DDGT.NET

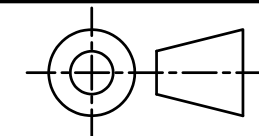


Jose Lara
Drafting & Design

707-501-8836

joselara218@yahoo.com

www.ddgt.net/Student_Page/jlara



TOLERANCES UNLESS SPECIFIED:

DECIMAL INCHES:
X = ±.020
XX = ±.010
XXX = ±.005
FRACTIONAL ±1/64"
ANGLES ± DEGREE

SURFACES 32/√

COURSE: DDGT120

AUTOCAD DRAWING NAME:

CASING

FIG#: 9-39

DRAFTER: J. LARA

DATE: 12/12/17

SCALE: 1:2

PAGE #: 2 OF 2