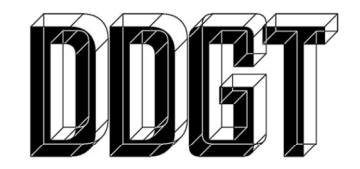
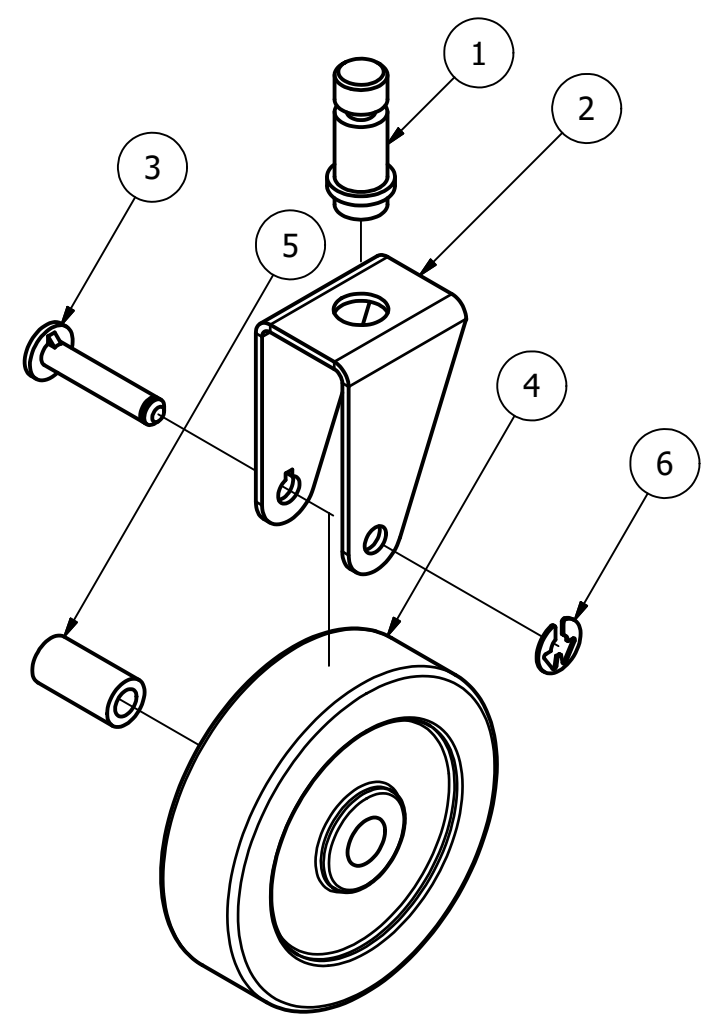


PARTS LIST					
ITEM	QTY	PART NUMBER	MATERIAL	DESCRIPTION	
1	1	POST	SAE 1112		
2	1	BRACKET	USS STEEL	13 GAUGE (2.38)	
3	1	SHAFT	SAE 1112		
4	1	WHEEL	HARD RUBBER		
5	1	BUSHING	BRASS		
6	1	RETAINING RING	STAINLESS STEEL	99179A105-EXT SERIES 533	

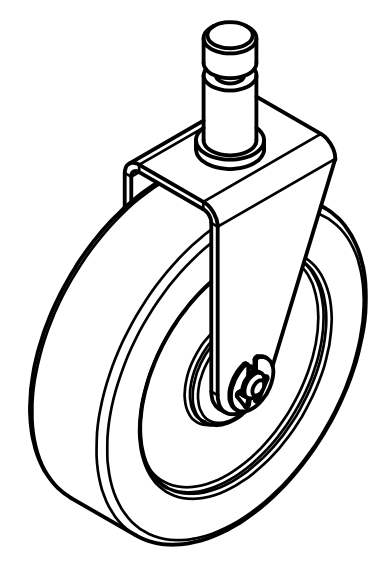


DIGITAL DESIGN  
GRAPHICS  
TECHNOLOGY

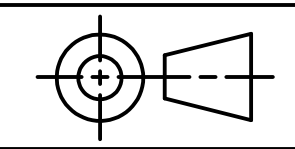
WWW.DDGT.NET



CASTER EXPLODED ASSEMBLY  
SCALE 1 / 2



CASTER ASSEMBLY  
SCALE 1 / 2



TOLERANCES UNLESS SPECIFIED:  
MILLIMETERS:  
WHOLE NUMBERS = ±.5  
X = ±.25  
XX = ±.12  
FRACTIONAL ±1/64"  
ANGLES ±1 DEGREE  
SURFACES <sup>32</sup>✓

CLASS: DDGT120

ASSIGNMENT #: 68

INVENTOR DRAWING NAME:  
CASTOR

FIG #: 14-90

MANAGER: G. STROMMEN

DRAFTER: K. LOVE

DATE: 11/26/2022

SCALE: AS NOTED

PAGE #: 1 OF 4

METRIC

**LEGEND:**

- ∅ DIAMETER
- R RADIUS
- ° DEGREES

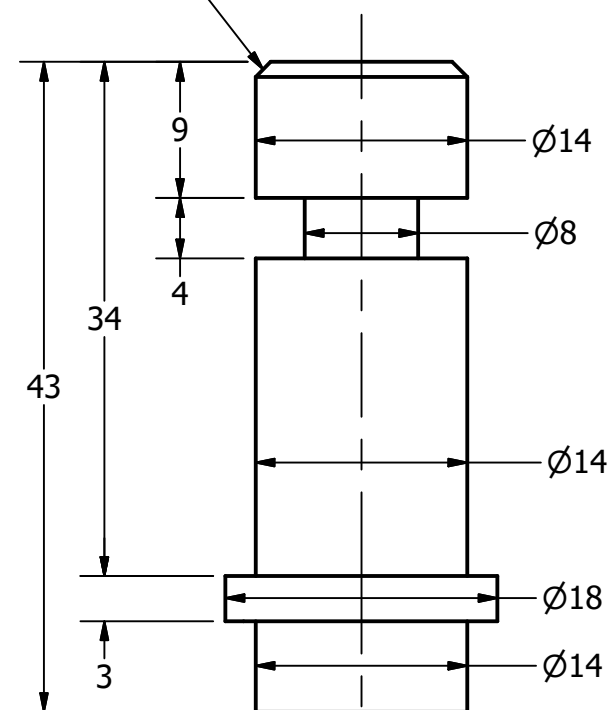
PARTS LIST		
ITEM	QTY	PART NUMBER
1	1	POST
3	1	SHAFT



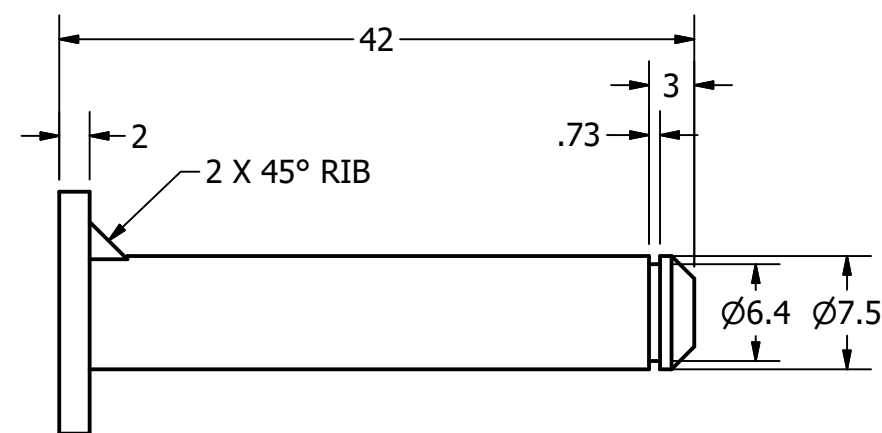
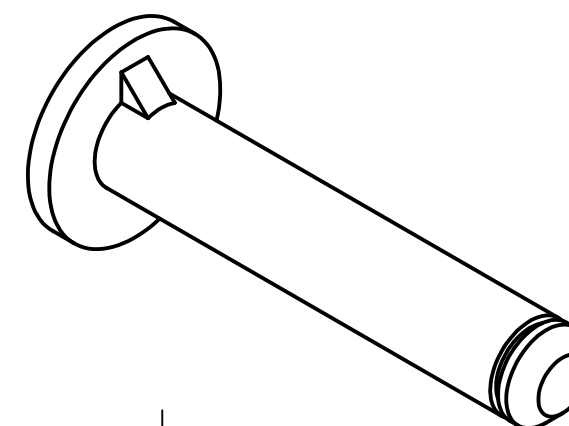
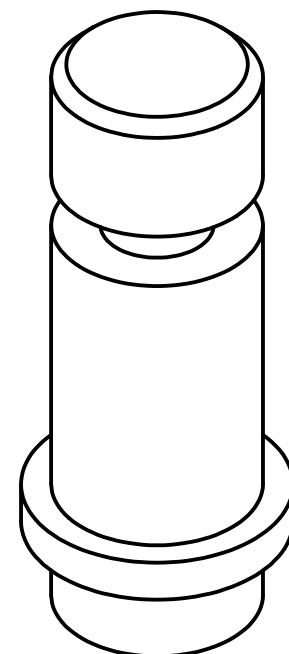
DIGITAL DESIGN  
GRAPHICS  
TECHNOLOGY

WWW.DDGT.NET

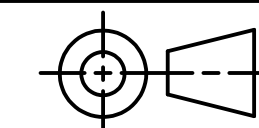
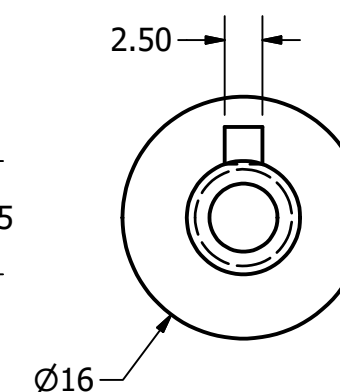
1 X 45.0° CHAMFER



POST  
SCALE 2 : 1



SHAFT  
SCALE 2 : 1



TOLERANCES UNLESS SPECIFIED:  
MILLIMETERS:  
WHOLE NUMBERS =  $\pm .5$   
X =  $\pm .25$   
XX =  $\pm .12$   
FRACTIONAL  $\pm 1/64$ "  
ANGLES  $\pm 1$  DEGREE  
SURFACES  $\sqrt{32}$

CLASS: DDGT120

ASSIGNMENT #: 68

INVENTOR DRAWING NAME:  
CASTOR

FIG #: 14-90

MANAGER: G. STROMMEN

DRAFTER: K. LOVE

DATE: 11/26/2022

SCALE: AS NOTED

PAGE #: 2 OF 4

METRIC

**LEGEND:**

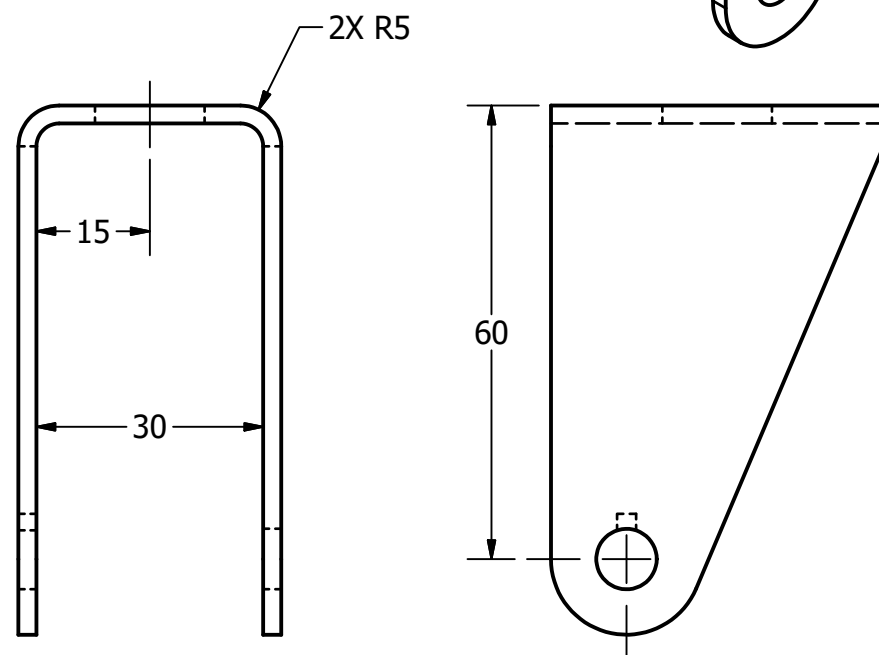
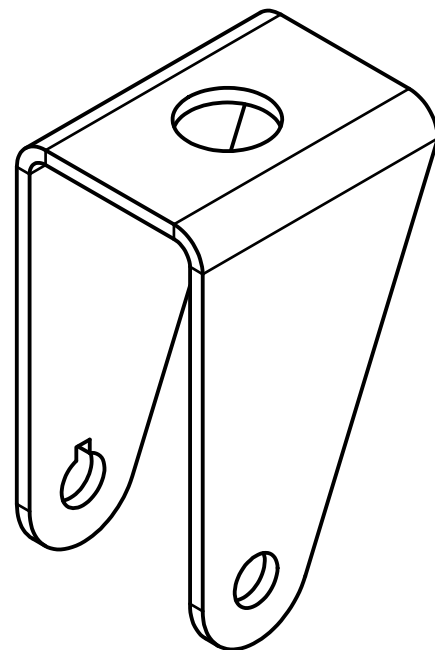
$\varnothing$  DIAMETER  
R RADIUS  
 $^{\circ}$  DEGREES

PARTS LIST		
ITEM	QTY	PART NUMBER
2	1	BRACKET

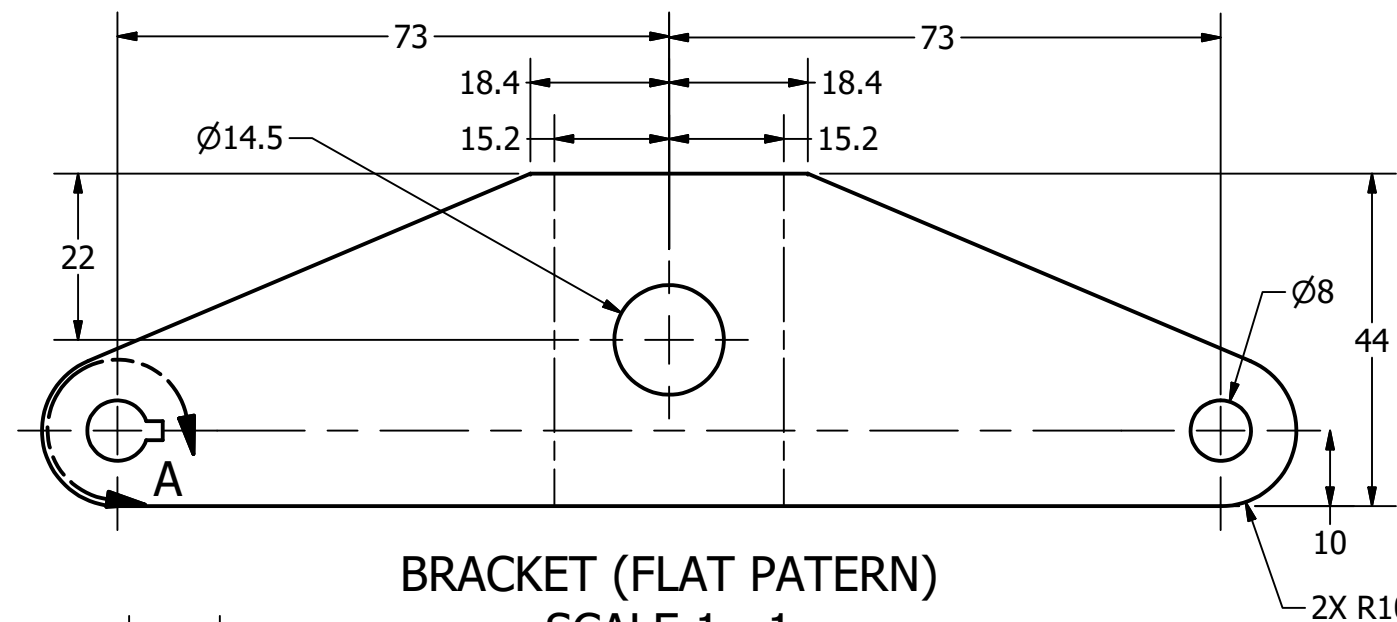


DIGITAL DESIGN  
GRAPHICS  
TECHNOLOGY

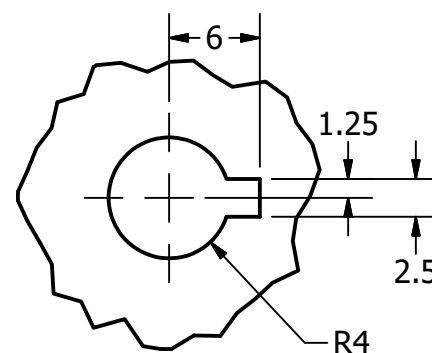
WWW.DDGT.NET



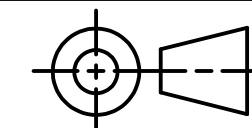
BRACKET (FOLDED)  
SCALE 1 : 1



BRACKET (FLAT PATTERN)  
SCALE 1 : 1



DETAIL A  
SCALE 2 : 1



TOLERANCES UNLESS SPECIFIED:  
MILLIMETERS:  
WHOLE NUMBERS = ±.5  
X = ±.25  
XX = ±.12  
FRACTIONAL ±1/64"  
ANGLES ±1 DEGREE  
SURFACES <sup>32</sup>✓

CLASS: DDGT120

ASSIGNMENT #: 68

INVENTOR DRAWING NAME:  
CASTOR

FIG #: 14-90

MANAGER: G. STROMMEN

DRAFTER: K. LOVE

DATE: 11/26/2022

SCALE: AS NOTED

PAGE #: 3 OF 4

METRIC

**LEGEND:**

- ∅ DIAMETER
- R RADIUS
- ° DEGREES

**METRIC**

**LEGEND:**

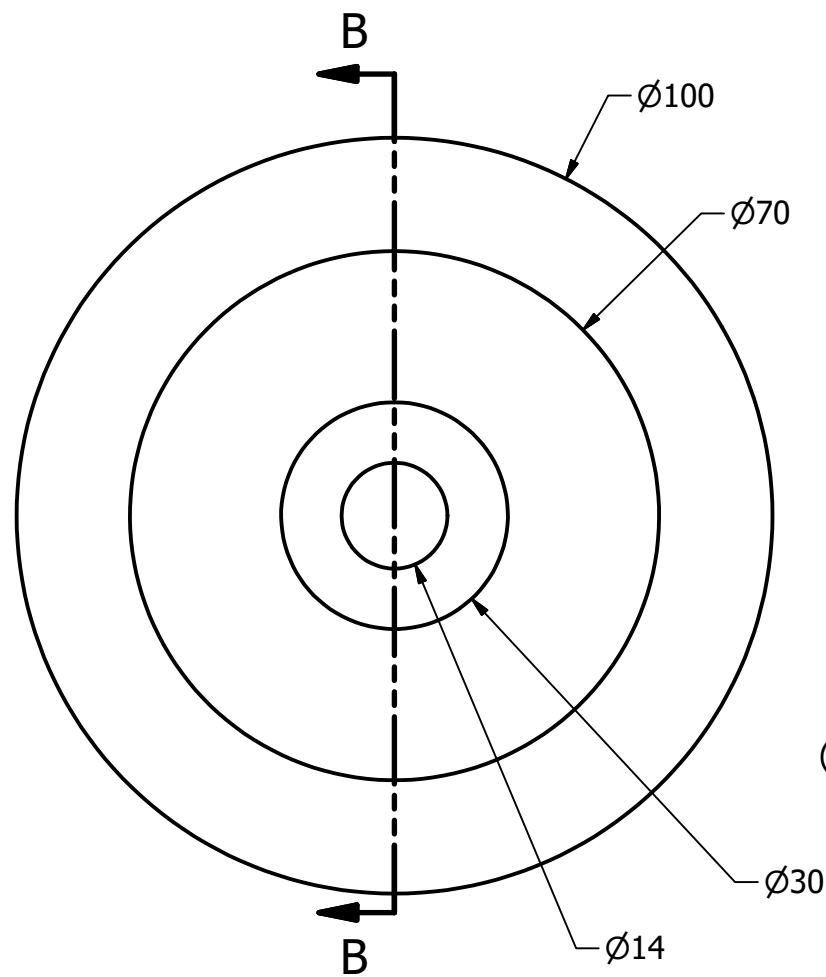
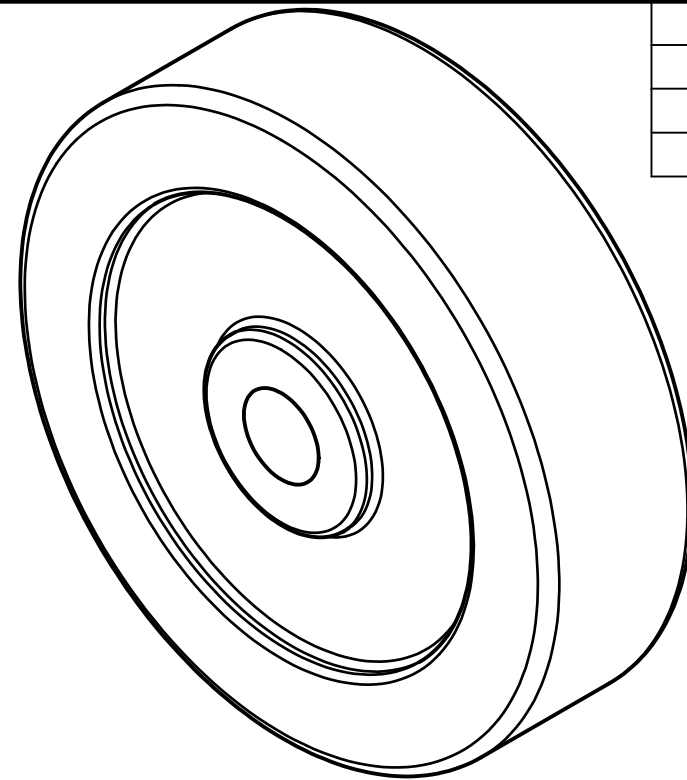
- ∅ DIAMETER
- R RADIUS
- ° DEGREES

PARTS LIST		
ITEM	QTY	PART NUMBER
4	1	WHEEL
5	1	BUSHING

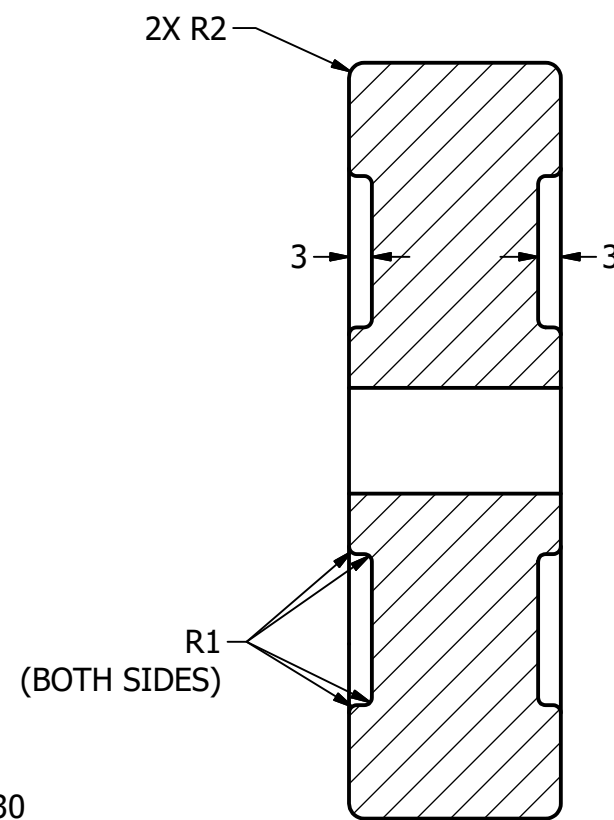


DIGITAL DESIGN  
GRAPHICS  
TECHNOLOGY

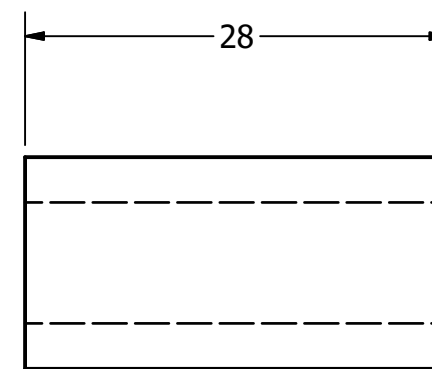
WWW.DDGT.NET



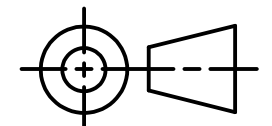
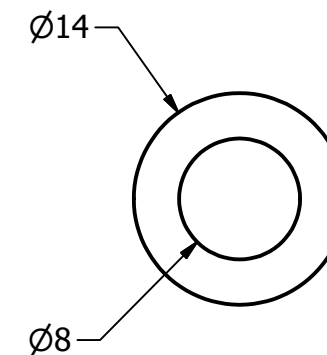
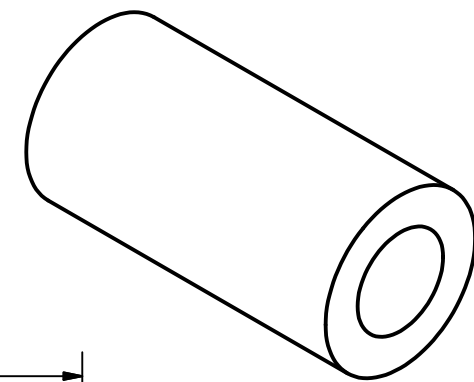
WHEEL  
SCALE 1 : 1



SECTION B-B  
SCALE 1 : 1



BUSHING  
SCALE 2 : 1



TOLERANCES UNLESS SPECIFIED:  
MILLIMETERS:  
WHOLE NUMBERS = ±.5  
X = ±.25  
XX = ±.12  
FRACTIONAL ±1/64"  
ANGLES ±1 DEGREE  
SURFACES 32✓

CLASS: DDGT120

ASSIGNMENT #: 68

INVENTOR DRAWING NAME:  
CASTOR

FIG #: 14-90

MANAGER: G. STROMMEN

DRAFTER: K. LOVE

DATE: 11/26/2022

SCALE: AS NOTED

PAGE #: 4 OF 4