

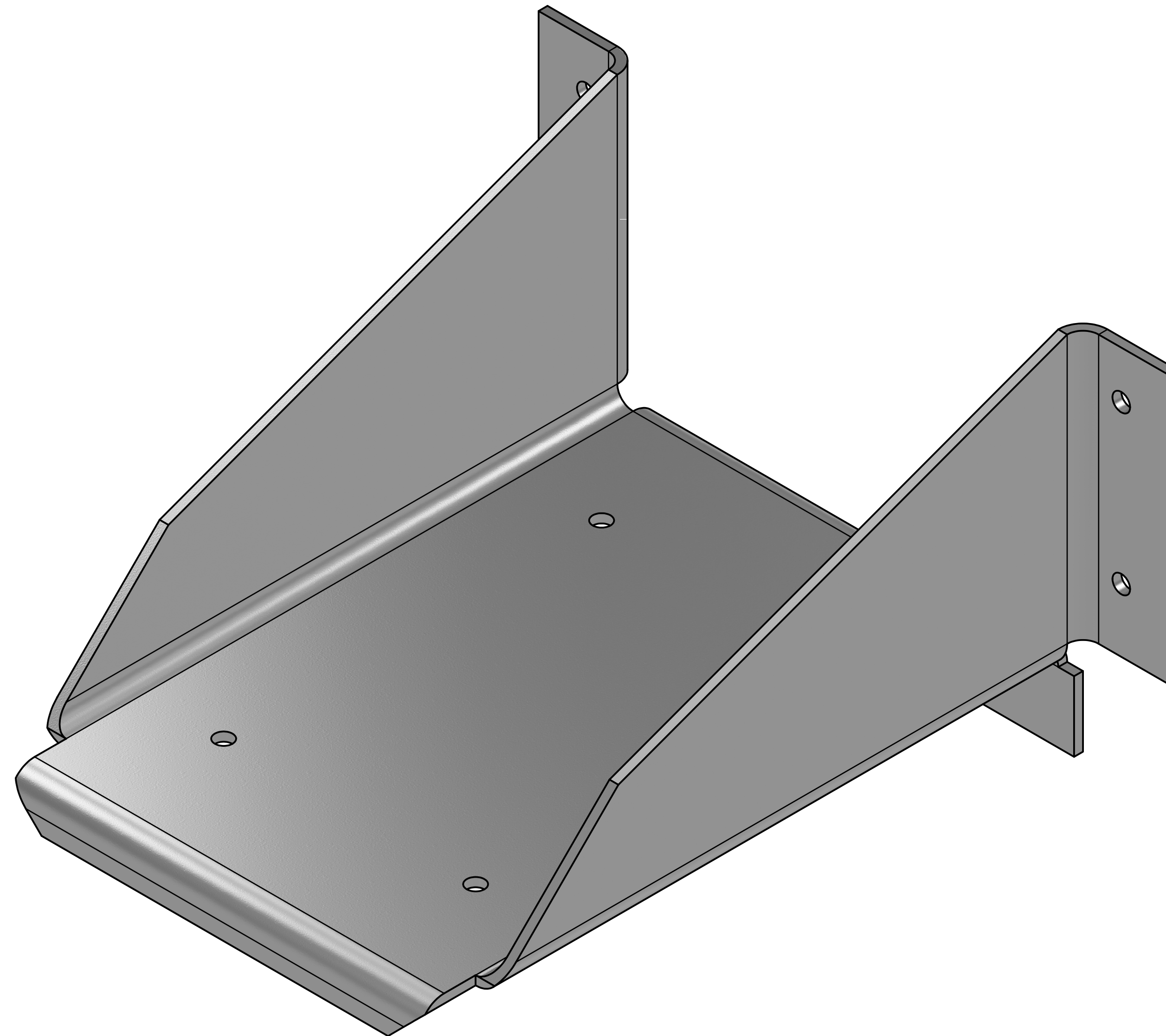
PARTS LIST			
ITEM	QTY	PART NUMBER	DESCRIPTION
1	1	MOTOR SUPPORT	10 GA (.141) USS STEEL



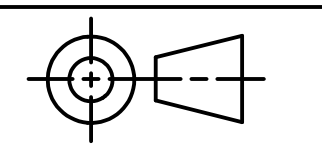
DIGITAL DESIGN
GRAPHICS
TECHNOLOGY

WWW.DDGT.NET

GENERAL NOTES:
INSIDE BEND RADIUS
R.25



MOTOR MOUNT
SCALE 1 : 1



TOLERANCES UNLESS SPECIFIED:
DECIMAL INCHES:
X = ±.010
XX = ±.010
XXX = ±.005
FRACTIONAL = 1/64"
ANGLES ±1 DEGREE

SURFACES \sqrt{V}

CLASS: DDGT 120

ASSIGNMENT #: 69

INVENTOR DRAWING NAME:
MOTOR MOUNT

FIG #: 23-54

MANAGER: G. STROMMEN

DRAFTER: K. LOVE

DATE: 12/8/2022

SCALE: AS NOTED

PAGE #: 1 OF 3

LEGEND:
Ø DIAMETER
R RADIUS
° DEGREES

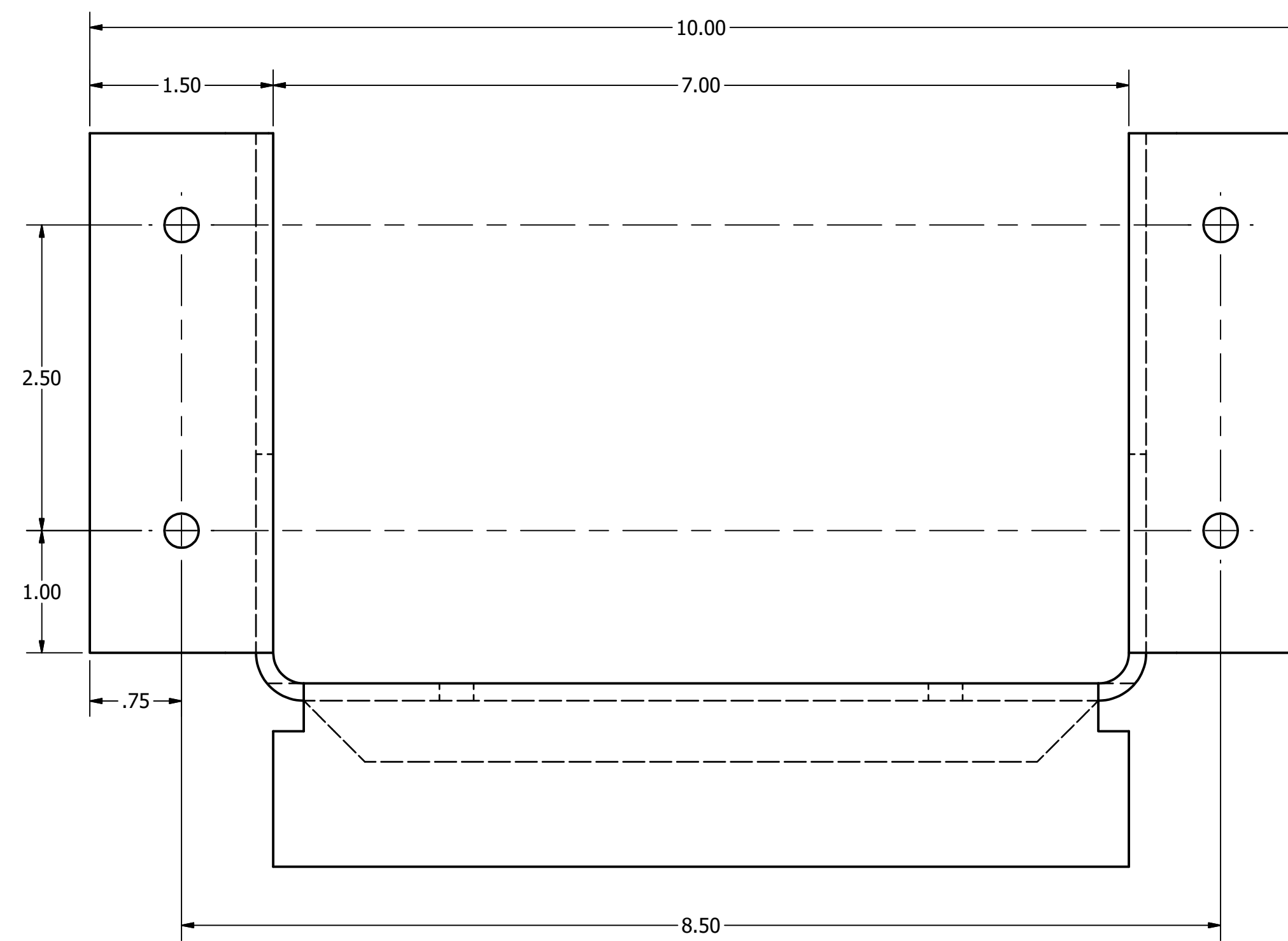
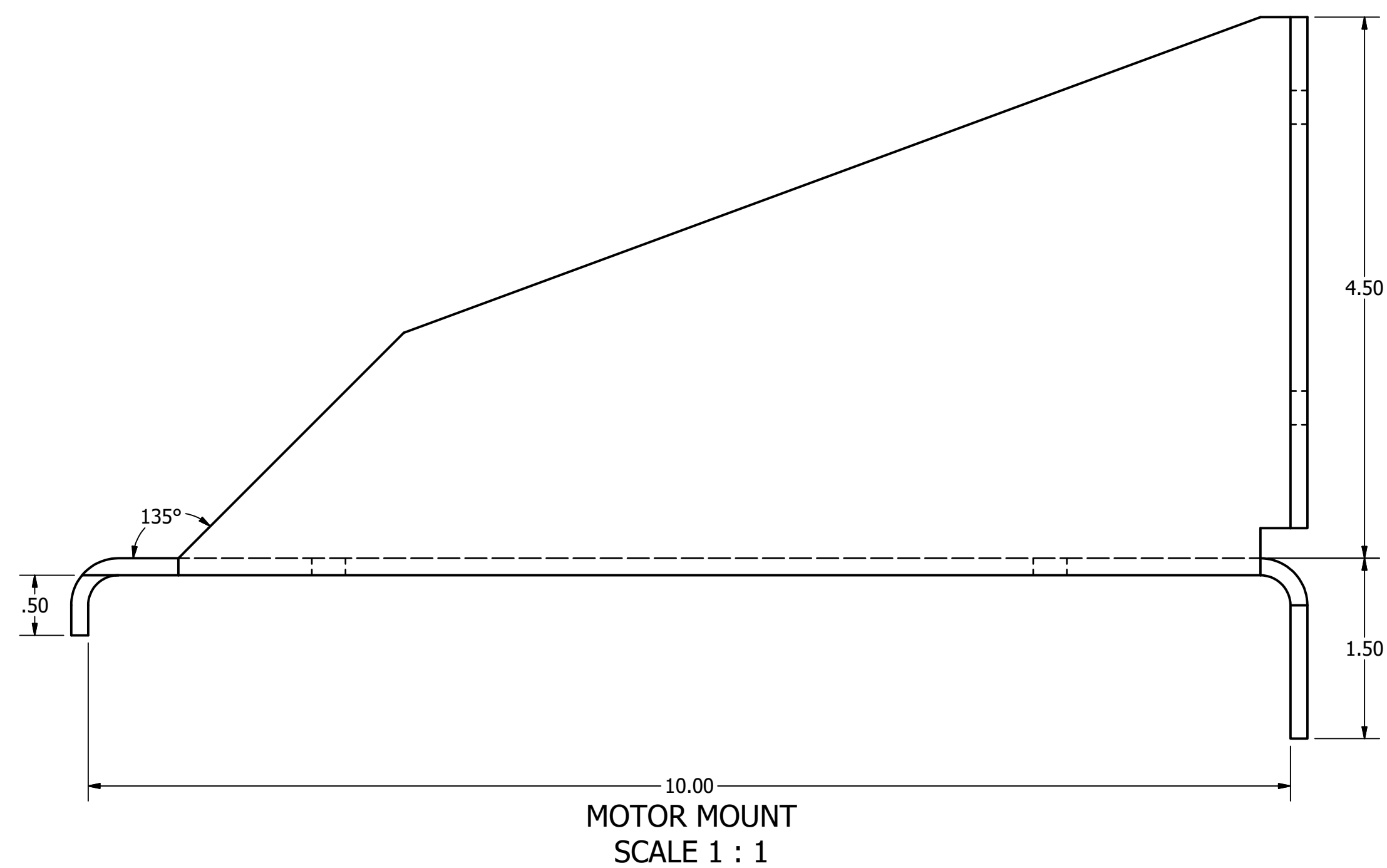
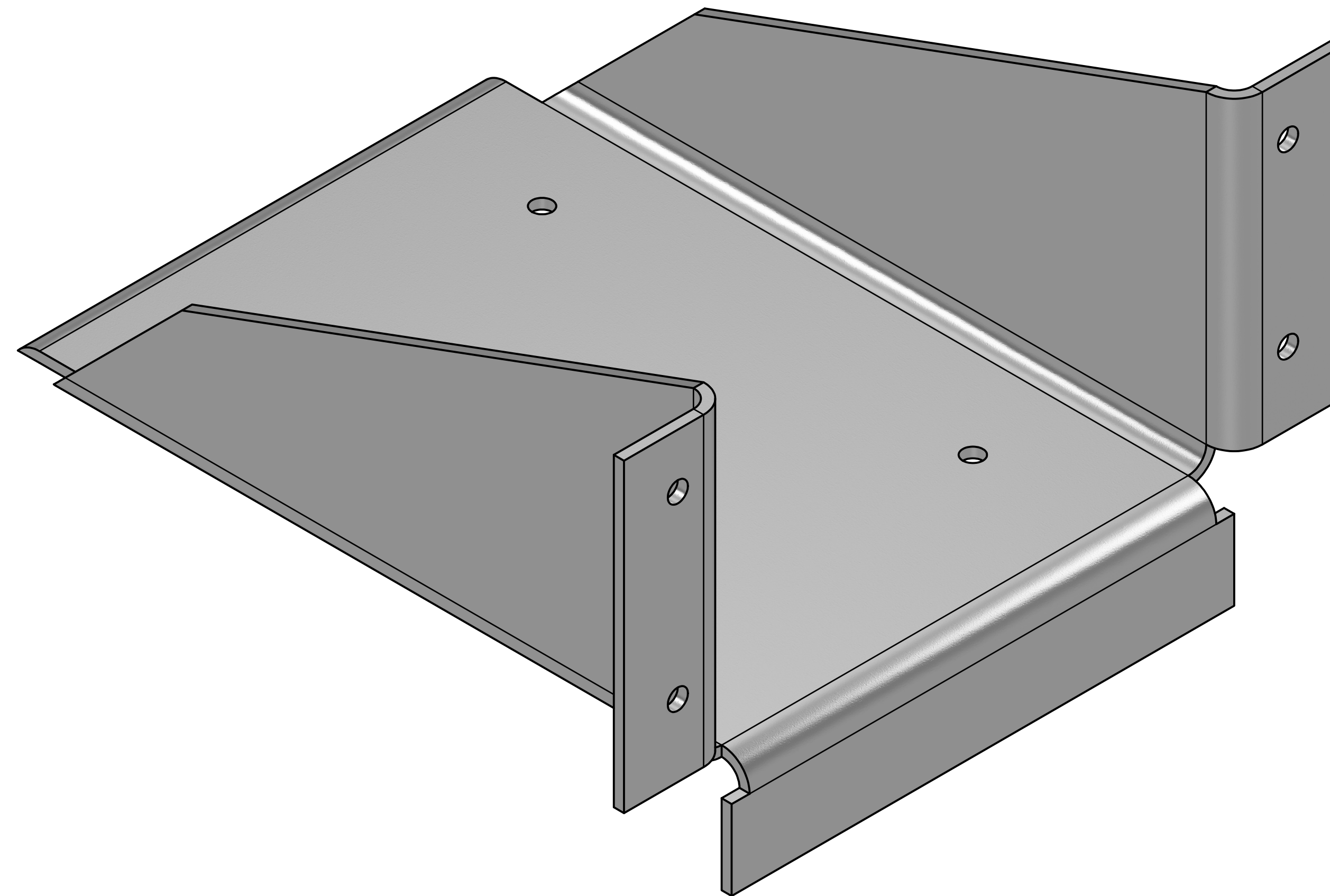
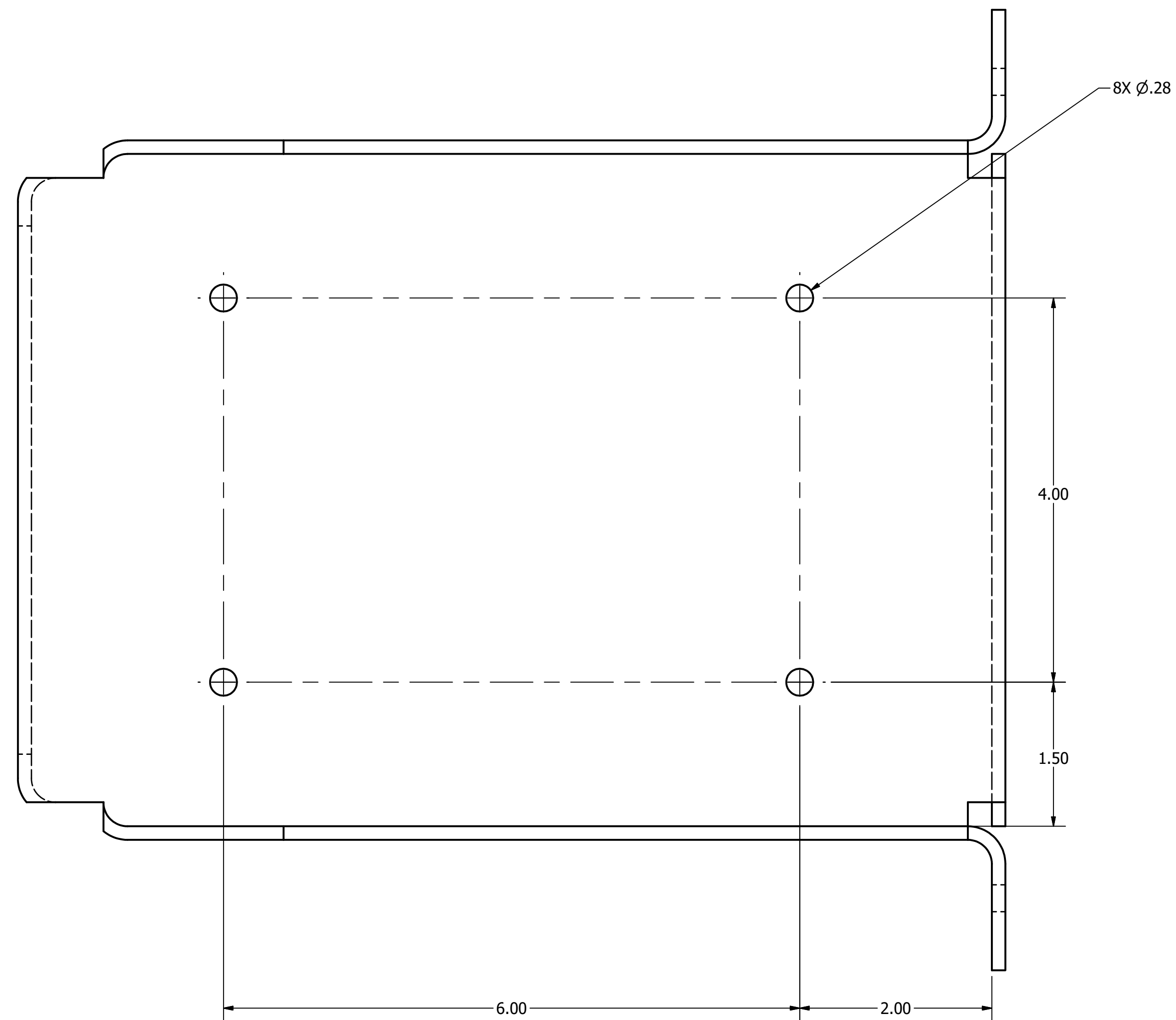
PARTS LIST			
ITEM	QTY	PART NUMBER	DESCRIPTION
1	1	MOTOR SUPPORT	10 GA (.141) USS STEEL



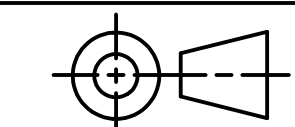
DIGITAL DESIGN
GRAPHICS
TECHNOLOGY

WWW.DDGT.NET

GENERAL NOTES:
INSIDE BEND RADIUS
R.25



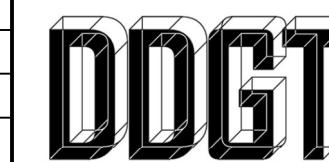
LEGEND:
 ϕ DIAMETER
 R RADIUS
 ° DEGREES



TOLERANCES UNLESS SPECIFIED:
 DECIMAL INCHES:
 X = ±.010
 XX = ±.010
 XXX = ±.005
 FRACTIONAL = 1/64"
 ANGLES ±1 DEGREE
 SURFACES \sqrt{V}

CLASS: DDGT 120
 ASSIGNMENT #: 69
 INVENTOR DRAWING NAME:
 MOTOR MOUNT
 FIG #: 23-54
 MANAGER: G. STROMMEN
 DRAFTER: K. LOVE
 DATE: 12/8/2022
 SCALE: AS NOTED
 PAGE #: 2 OF 3

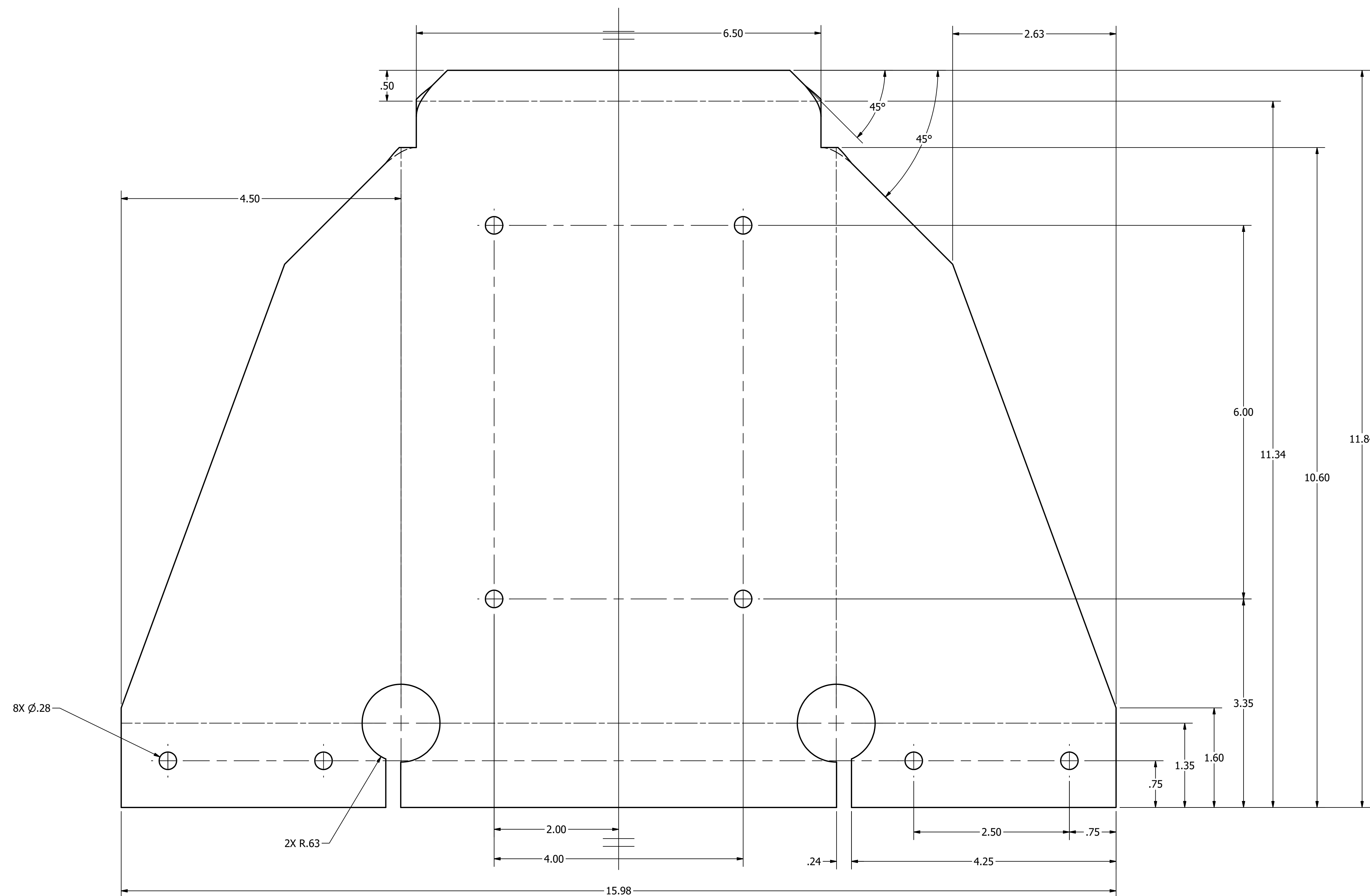
PARTS LIST			
ITEM	QTY	PART NUMBER	DESCRIPTION
1	1	MOTOR SUPPORT	10 GA (.141) USS STEEL



DIGITAL DESIGN
GRAPHICS
TECHNOLOGY

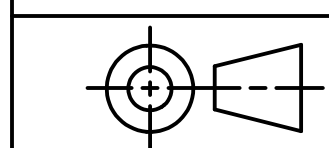
WWW.DDGT.NET

GENERAL NOTES:
INSIDE BEND RADIUS
R.25



MOTOR SUPPORT FLAT PATTERN
SCALE 1 : 1

LEGEND:
 Ø DIAMETER
 R RADIUS
 ° DEGREES



TOLERANCES UNLESS SPECIFIED:
 DECIMAL INCHES:
 X = ±.010
 XX = ±.010
 XXX = ±.005
 FRACTIONAL = 1/64"
 ANGLES ±1 DEGREE
 SURFACES \sqrt{V}

CLASS: DDGT 120

ASSIGNMENT #: 69

INVENTOR DRAWING NAME:
MOTOR MOUNT

FIG #: 23-54

MANAGER: G. STROMMEN

DRAFTER: K. LOVE

DATE: 12/8/2022

SCALE: AS NOTED

PAGE #: 3 OF 3