

PARTS LIST			
ITEM	QTY	PART NUMBER	MATERIAL
1	1	DRILL PRESS BRACKET	STEEL

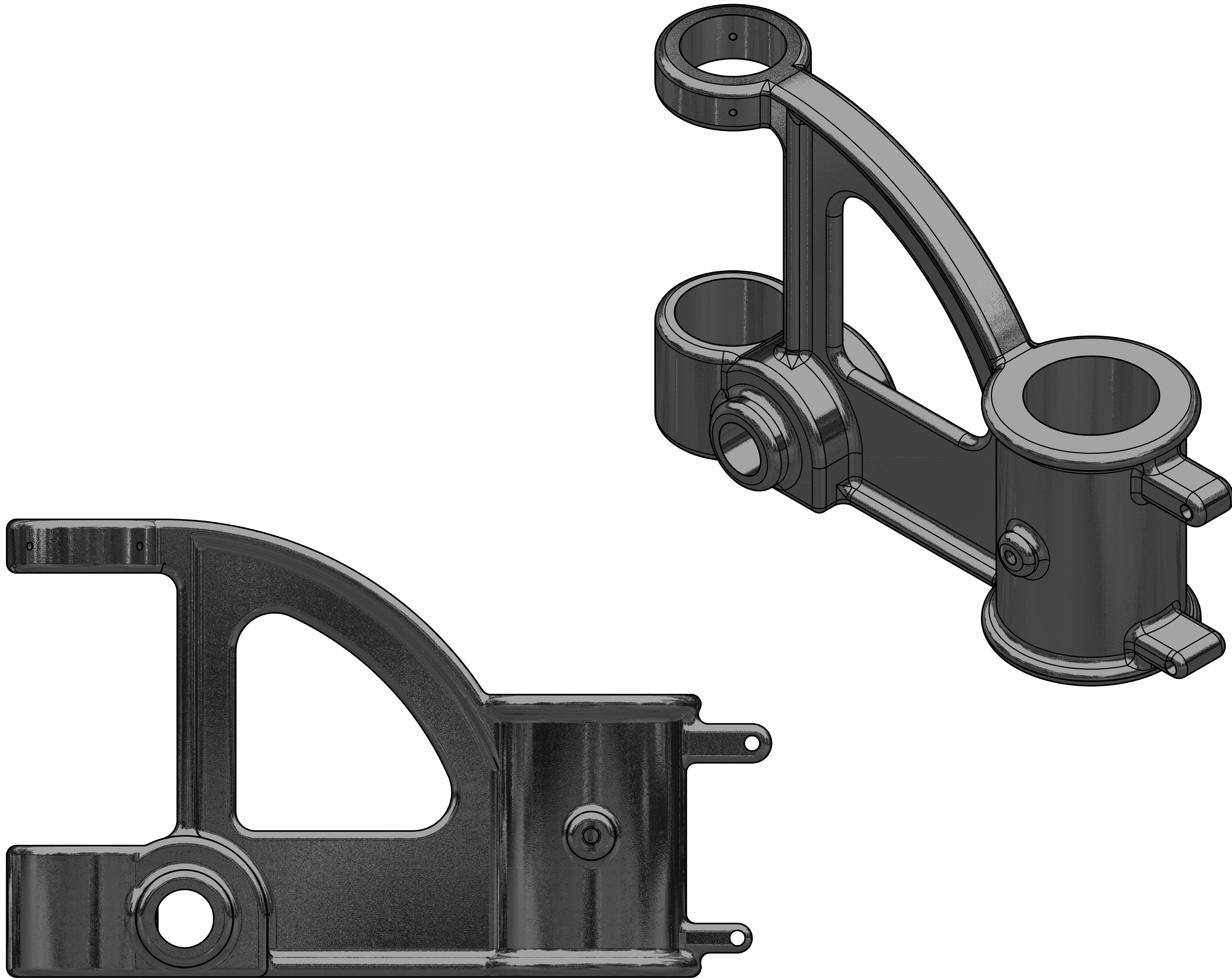


DIGITAL DESIGN  
GRAPHICS  
TECHNOLOGY

WWW.DDGT.NET

GENERAL NOTES:

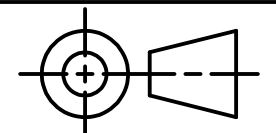
FILLETS AND ROUNDS  
1/8R UNLESS OTHERWISE  
SPECIFIED



JOSEPH WILLIAMS

(707) 673-6354  
JWILLIAMS@DDGT.COM  
WWW.DDGT.NET/STUDENTPAGES/JWILLIAMS

GRAPHIC DESIGNER



TOLERANCES UNLESS SPECIFIED:  
DECIMAL INCHES:  
X = ±.020  
XX = ±.010  
XXX = ±.005  
FRACTIONAL ±1/64"  
ANGLES ±1 DEGREE  
SURFACES 32√

COURSE: DDGT121

INVENTOR DRAWING NAME:  
DRILL PRESS BRACKET

FIG #: 14-35

DRAFTER: JOSEPH WILLIAMS

DATE: 2/13/2019

SCALE: AS NOTED

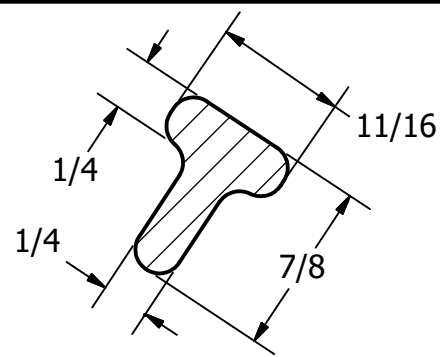
PAGE #: 1 OF 2

**LEGEND:**

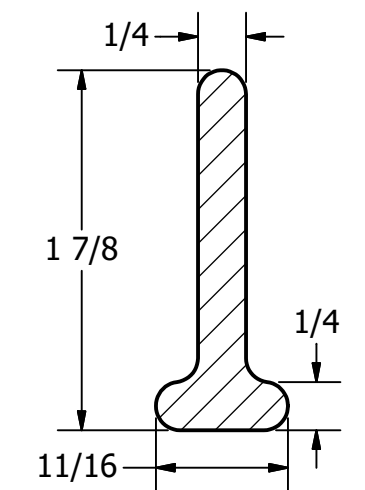
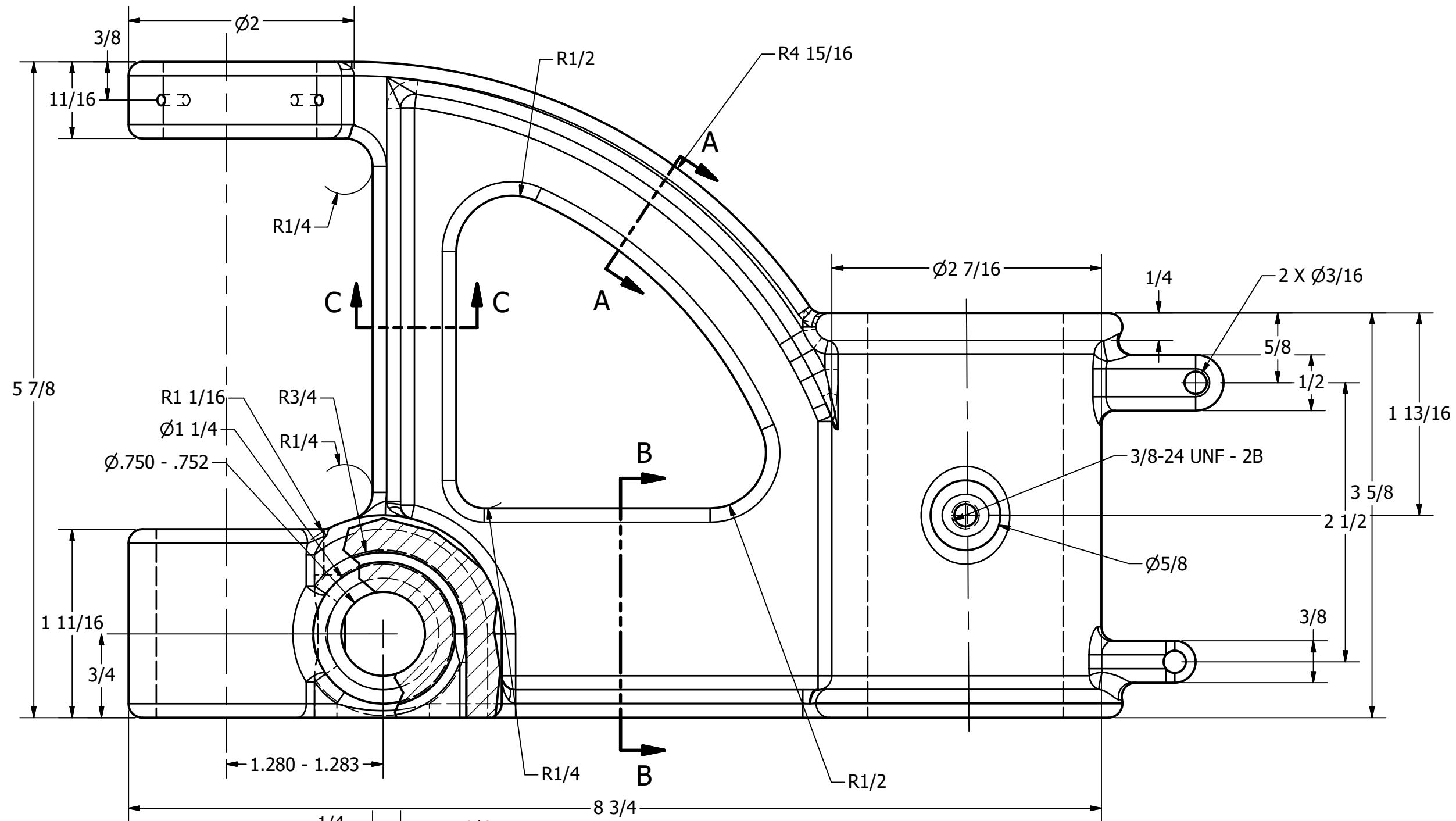
- ∅ DIAMETER
- R RADIUS
- ° DEGRES

GENERAL NOTES:

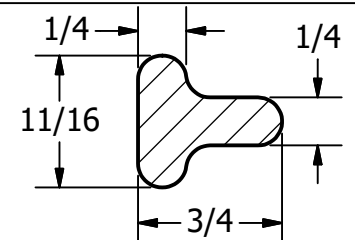
FILLETS AND ROUNDS  
1/8" UNLESS OTHERWISE  
SPECIFIED



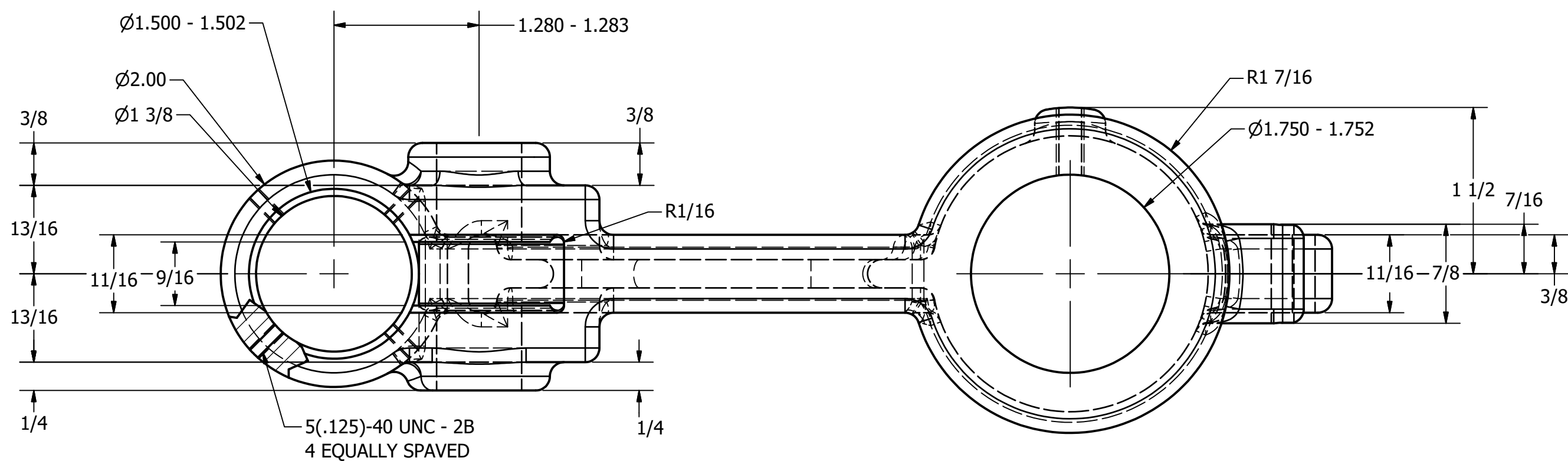
SECTION A-A  
SCALE 1 : 1



SECTION B-B  
SCALE 1 : 1



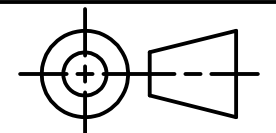
SECTION C-C  
SCALE 1 : 1



JOSEPH WILLIAMS

(707) 673-6354  
JWILLIAMS@GMAIL.COM  
WWW.DDGT.NET/STUDENTPAGES/WILLIAMS

GRAPHIC DESIGNER



TOLERANCES UNLESS SPECIFIED:  
DECIMAL INCHES:  
X =  $\pm .020$   
XX =  $\pm .010$   
XXX =  $\pm .005$   
FRACTIONAL  $\pm 1/64"$   
ANGLES  $\pm 1 \text{ DEGREE}$   
SURFACES  $\sqrt{\quad}$

COURSE: DDGT121

INVENTOR DRAWING NAME:  
DRILL PRESS BRACKET

FIG #: 14-35

DRAFTER: JOSEPH WILLIAMS

DATE: 2/13/2019

SCALE: AS NOTED

PAGE #: 2 OF 2