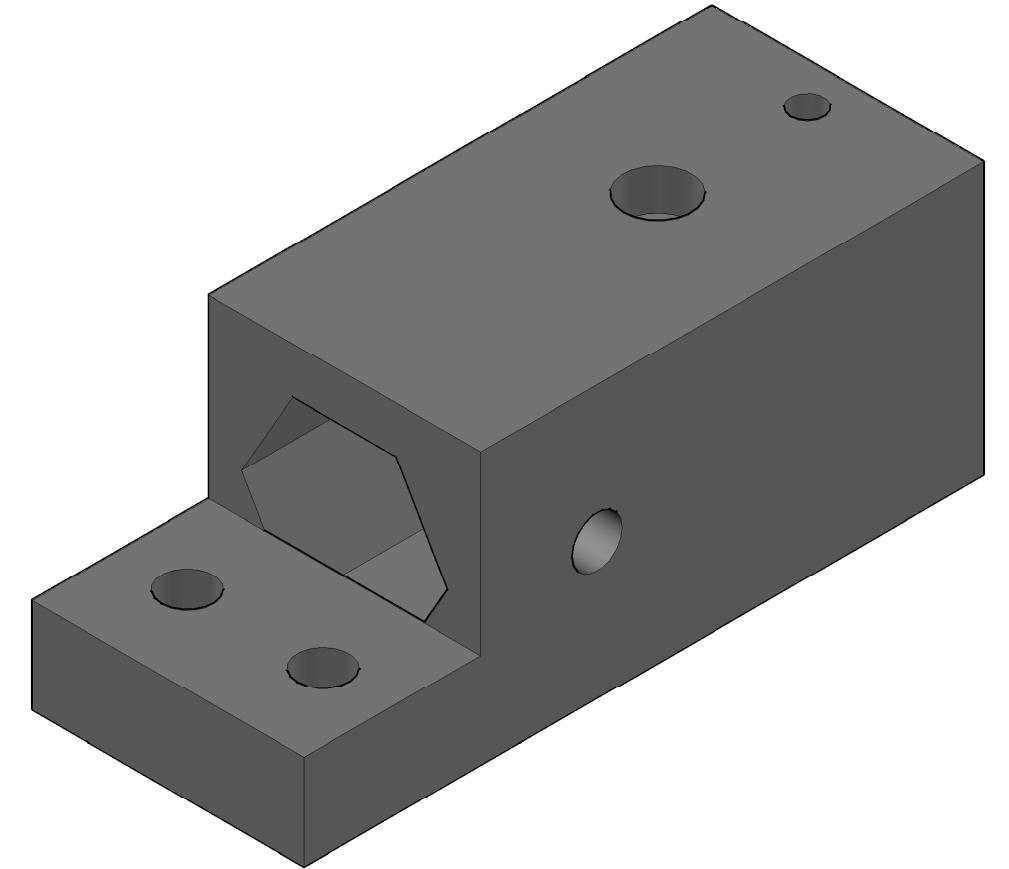
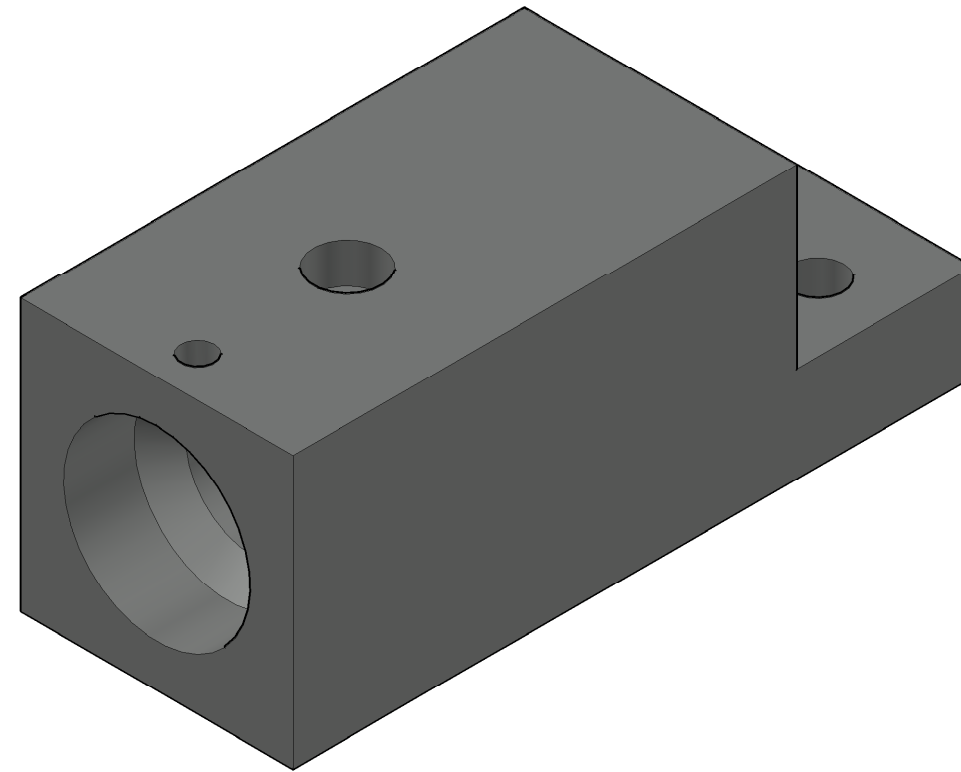
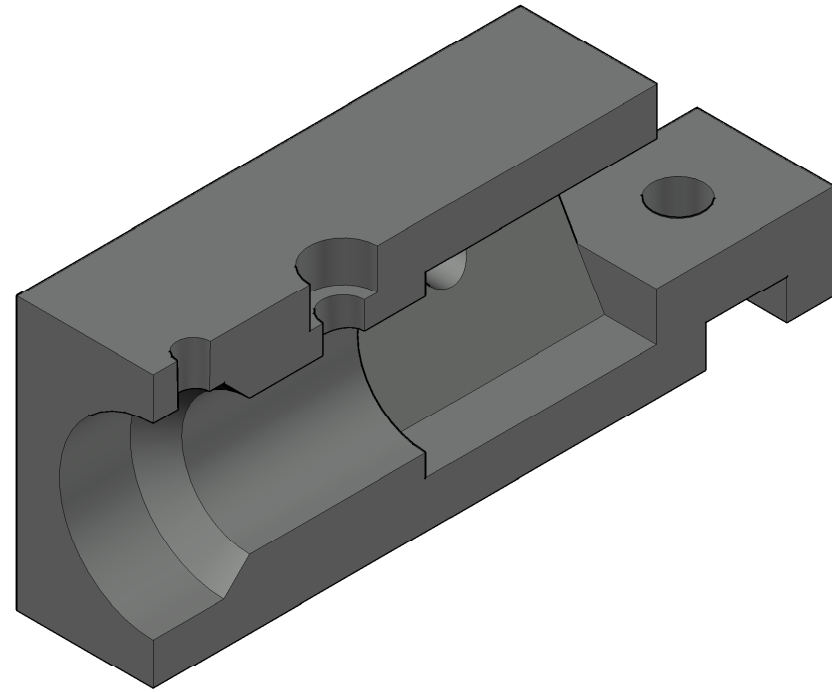


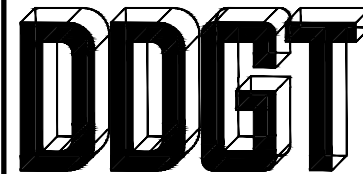
PARTS LIST

ITEM	QTY.	PART NAME	MATERIAL
1	1	CASING	SAE1012



LEGEND:

- ∅ DIAMETER
- R RADIUS
- DEGREES
- || COUNTERBORE
- ∇ DEPTH



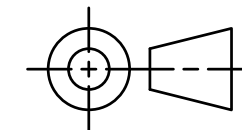
DIGITAL DESIGN
GRAPHICS
TECHNOLOGY

WWW.DDGT.NET



Laisha Landa
Architecture & design

707-787-41-01
laisha.landa55@yahoo.com



TOLERANCES UNLESS SPECIFIED:
DECIMAL INCHES:
X = ±.020
XX = ±.010
XXX = ±.005
FRACTIONAL ± 1/64"
ANGLES ±1 DEGREE
SURFACES 32/

COURSE: DDGT 120

AUTOCAD DRAWING NAME:
CASING

FIG #: 9-39

DRAFTER: L. LANDA

DATE: 5/18/2021

SCALE: 1:1

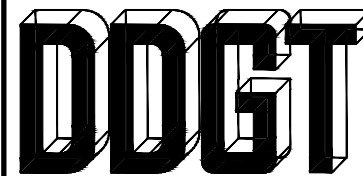
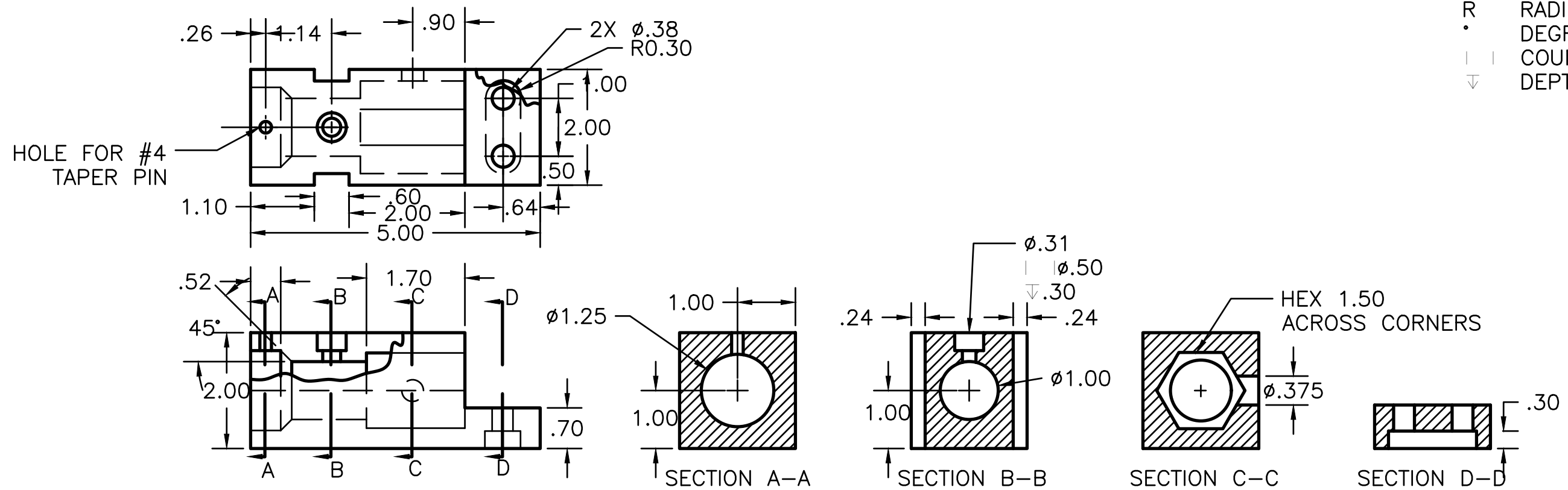
PAGE #: 1 OF 2

PARTS LIST

ITEM	QTY.	PART NAME
1	1	CASING

LEGEND:

∅	DIAMETER
R	RADIUS
°	DEGREES
	COUNTERBORE
∇	DEPTH

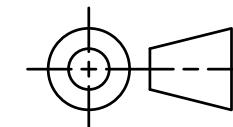


DIGITAL DESIGN
GRAPHICS
TECHNOLOGY

WWW.DDGT.NET

Laisha Landa
Architecture & design

707-787-41-01
laisha.landa55@yahoo.com



TOLERANCES UNLESS SPECIFIED:
DECIMAL INCHES:
X = ±.020
XX = ±.010
XXX = ±.005
FRACTIONAL ± 1/64"
ANGLES ±1 DEGREE
SURFACES 32/

COURSE: DDGT 120

AUTOCAD DRAWING NAME:
CASING

FIG #: 9-39

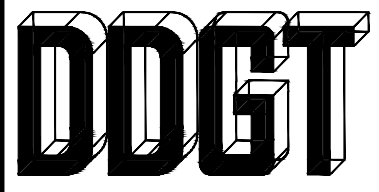
DRAFTER: L. LANDA

DATE: 5/18/2021

SCALE: 1:2

PAGE #: 2 OF 2

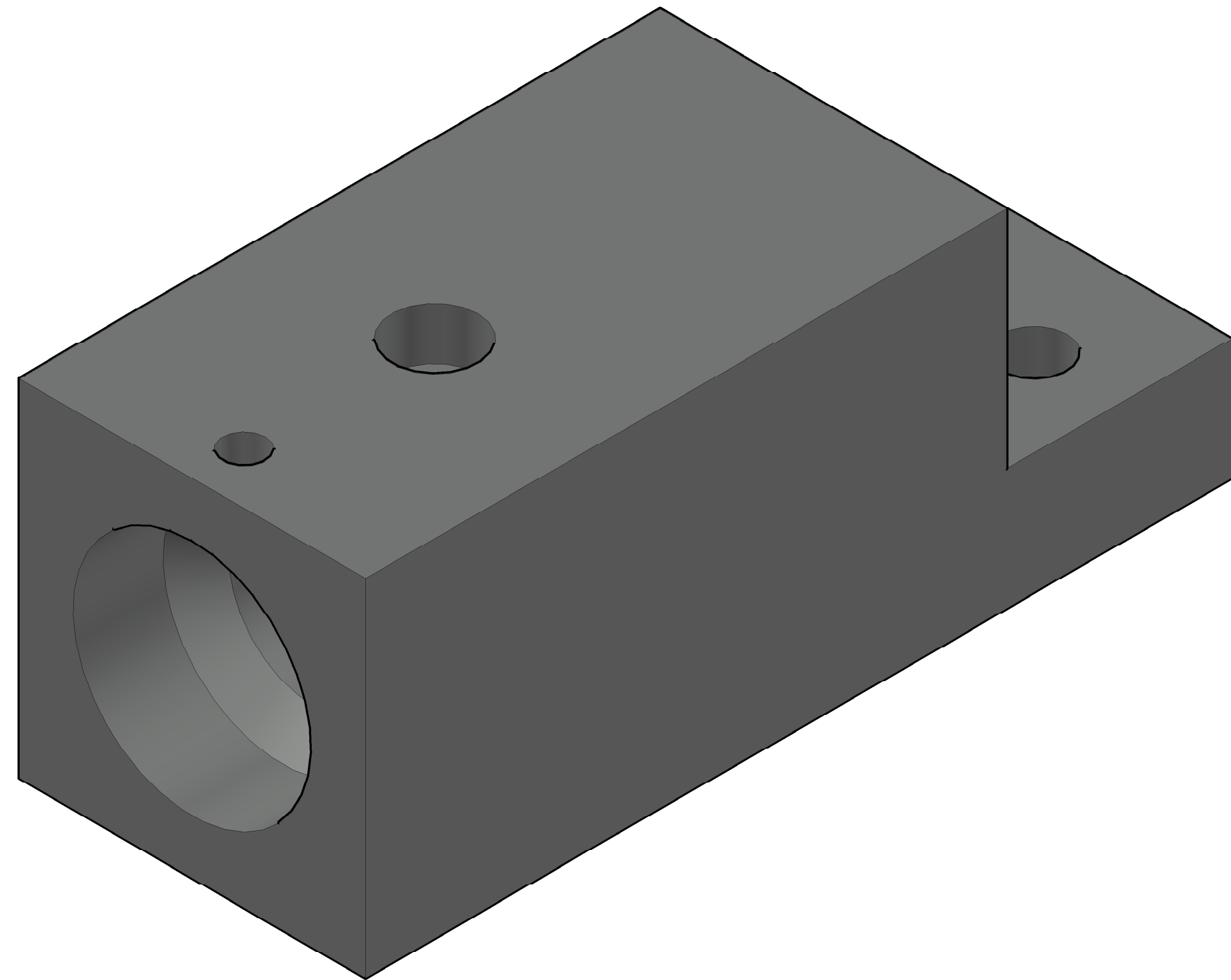
PARTS LIST			
ITEM	QTY.	PART NAME	MATERIAL
1	1	CASING	SAE1012



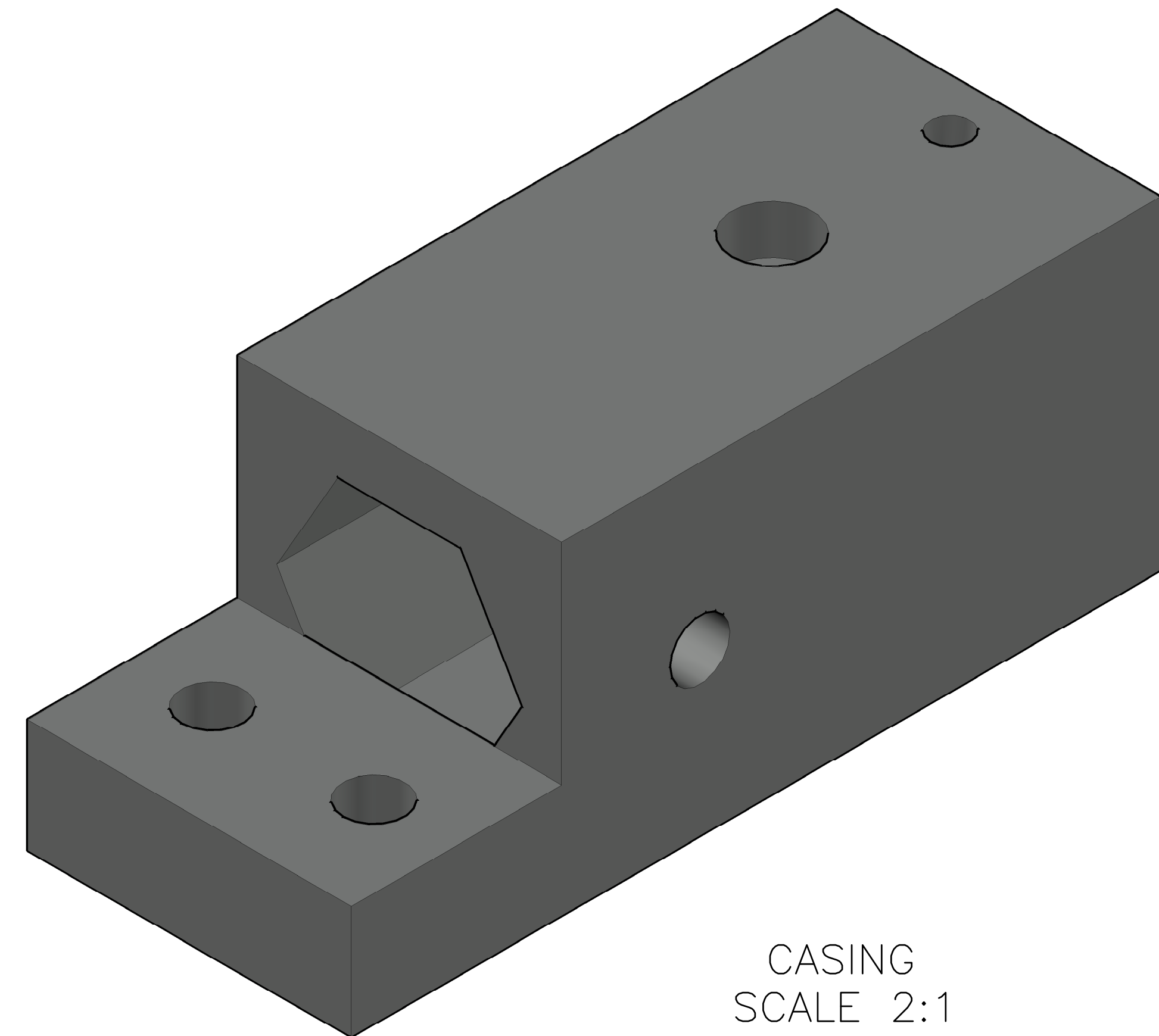
DIGITAL DESIGN
GRAPHICS
TECHNOLOGY

WWW.DDGT.NET

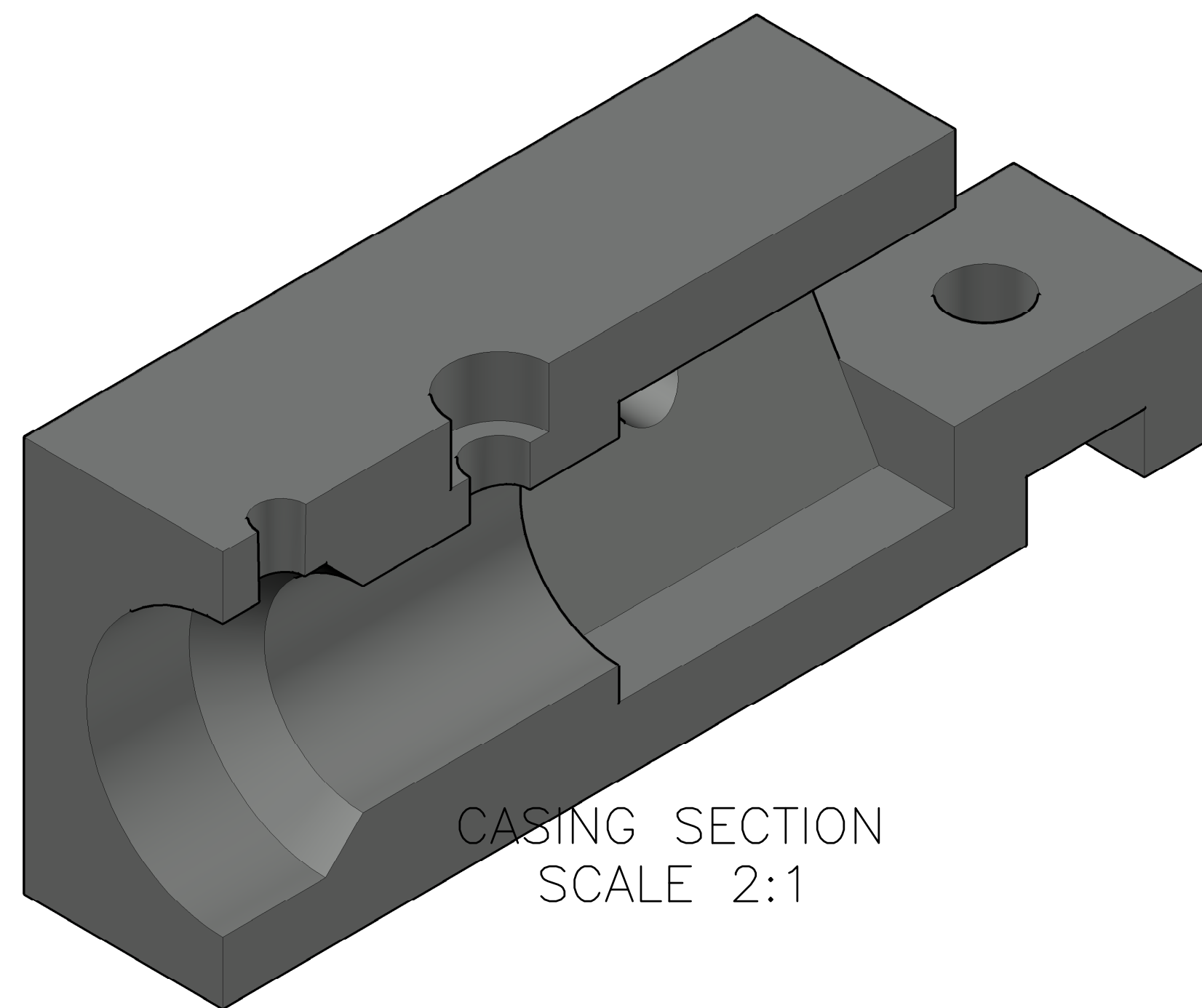
GENERAL NOTES:
GENERAL NOTES GO
HERE



CASING
SCALE 2:1




CASING
SCALE 2:1

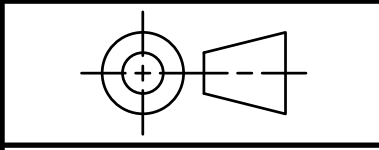


CASING SECTION
SCALE 2:1

LEGEND:

- ∅ DIAMETER
- R RADIUS
- DEGREES
- || COUNTERBORE
- ∇ DEPTH


Laisha Landa
Architecture & design
707-787-41-01
laisha.landa55@yahoo.com



TOLERANCES UNLESS SPECIFIED:
DECIMAL INCHES:
X = ±.020
XX = ±.010
XXX = ±.005
FRACTIONAL ± 1/64"
ANGLES ±1 DEGREE
SURFACES 32/

COURSE:	DDGT 120
AUTOCAD DRAWING NAME:	CASING
FIG #:	9-39
DRAFTER:	L. LANDA
DATE:	5/18/2021
SCALE:	AS NOTED
PAGE #:	1 OF 2

PARTS LIST

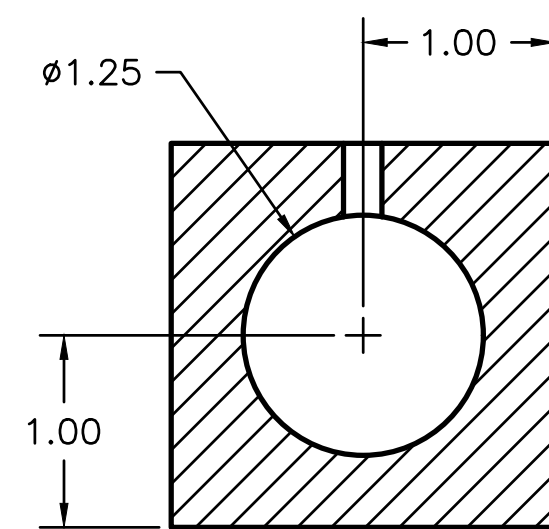
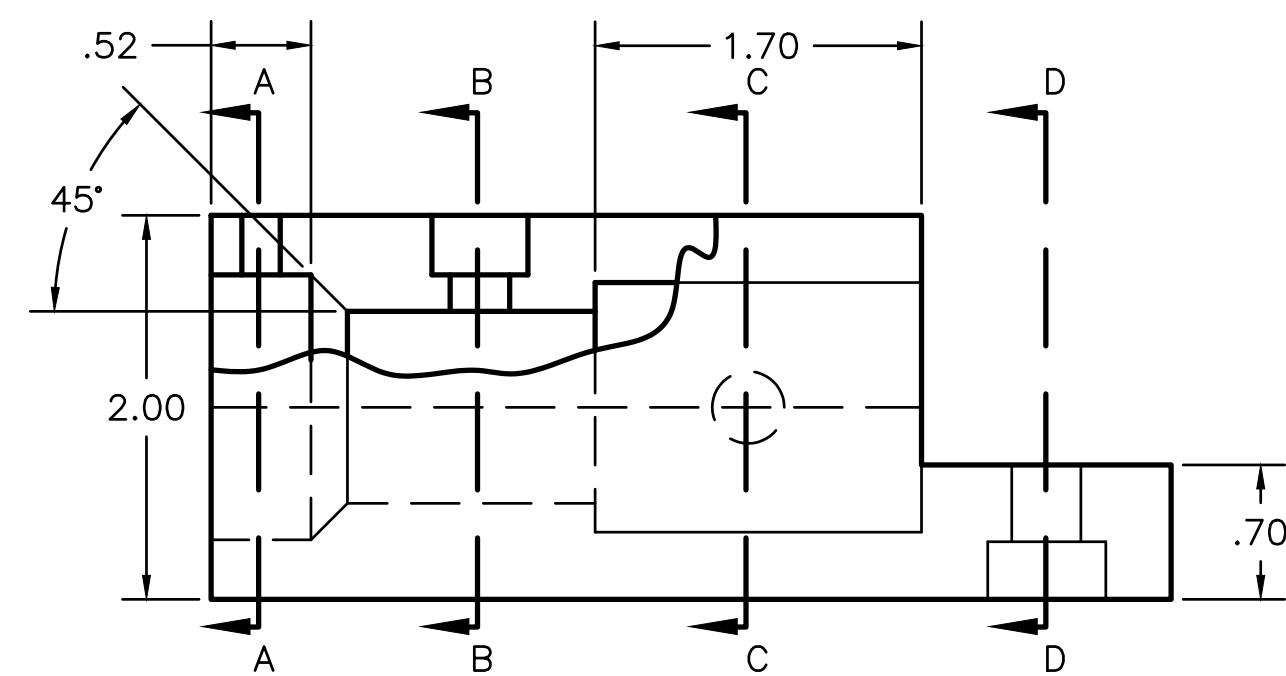
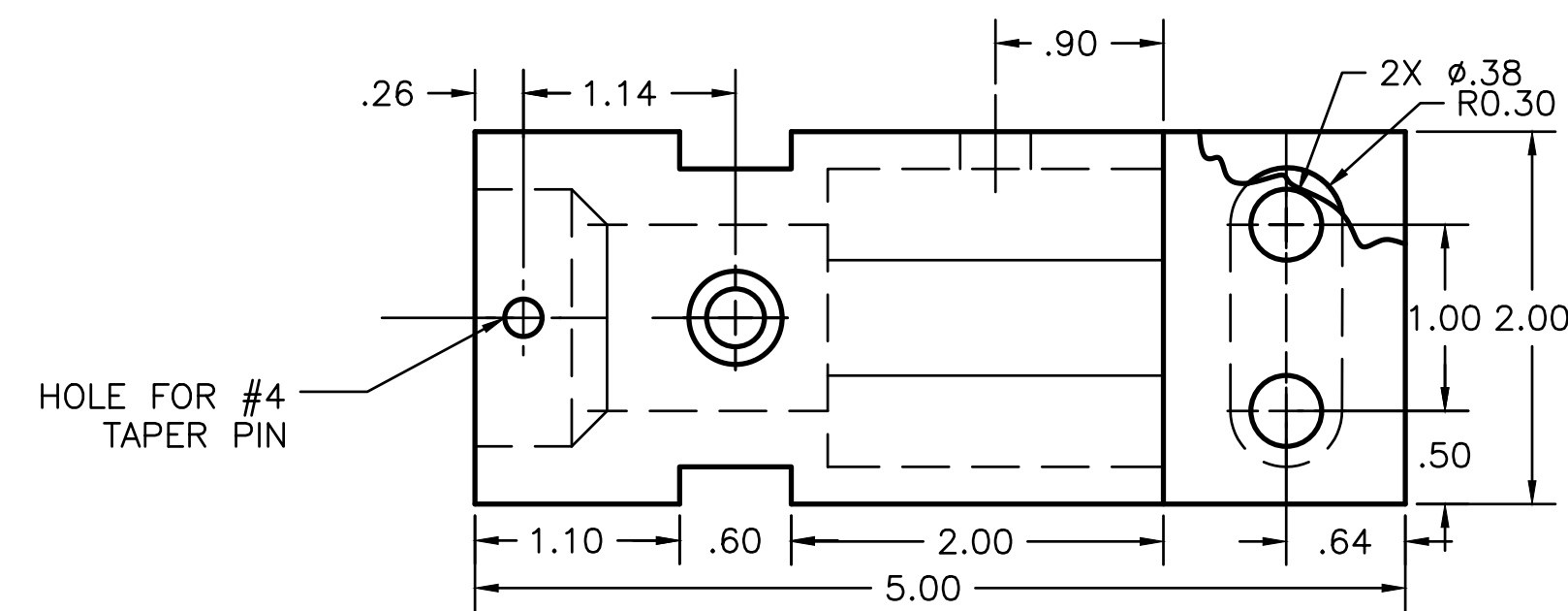
ITEM	QTY.	PART NAME
1	1	CASING



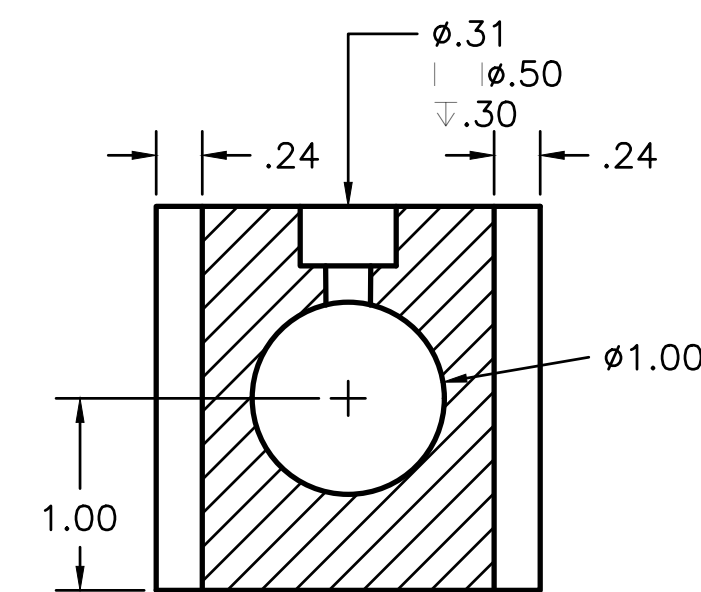
DIGITAL DESIGN
GRAPHICS
TECHNOLOGY

WWW.DDGT.NET

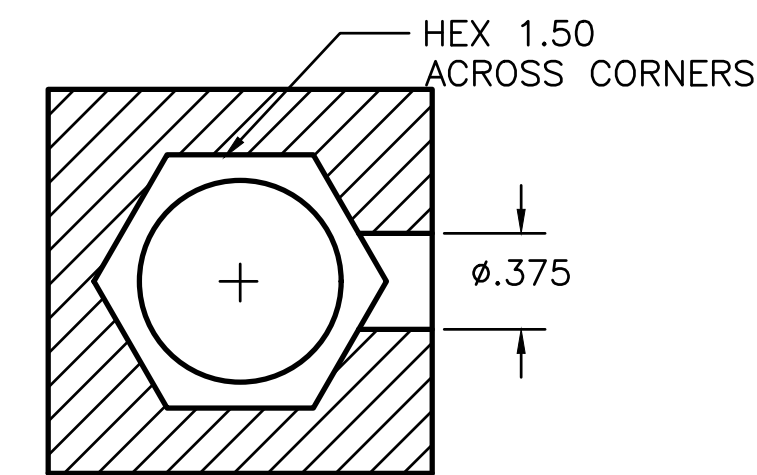
GENERAL NOTES:
GENERAL NOTES GO
HERE



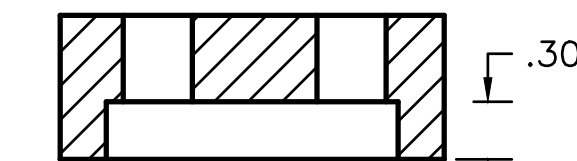
SECTION A-A



SECTION B-B



SECTION C-C

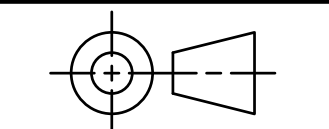


SECTION D-D

LEGEND:

- Ø DIAMETER
- R RADIUS
- ° DEGREES
- || COUNTERBORE
- ▽ DEPTH

Laisha Landa
Architecture & design
707-787-41-01
laisha.landa55@yahoo.com



TOLERANCES UNLESS SPECIFIED:
DECIMAL INCHES:
X = ±.020
XX = ±.010
XXX = ±.005
FRACTIONAL ± 1/64"
ANGLES ±1 DEGREE
SURFACES 32/

COURSE: DDGT 120

AUTOCAD DRAWING NAME: CASING

FIG #: 9-39

DRAFTER: L. LANDA

DATE: 5/18/2021

SCALE: 1:1

PAGE #: 2 OF 2