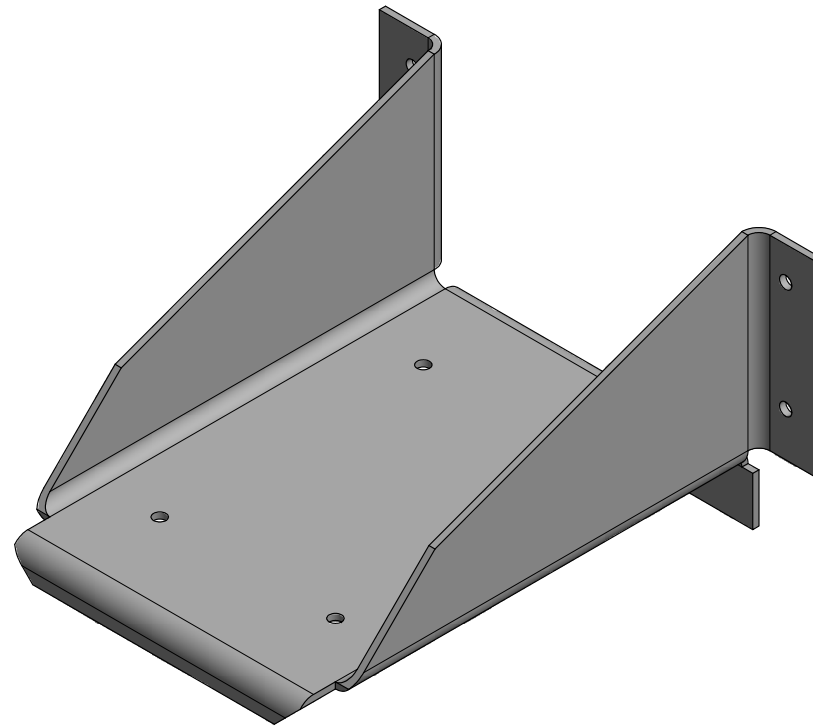
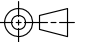


PARTS LIST			
ITEM	QTY	PART NUMBER	DESCRIPTION
1	1	MOTOR SUPPORT	10 GA (.141) USS STEEL

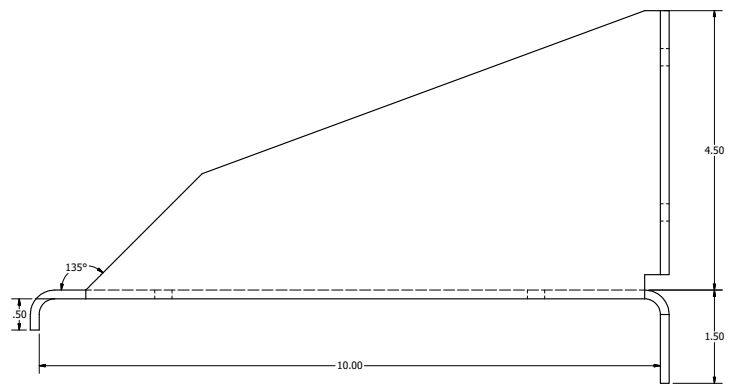
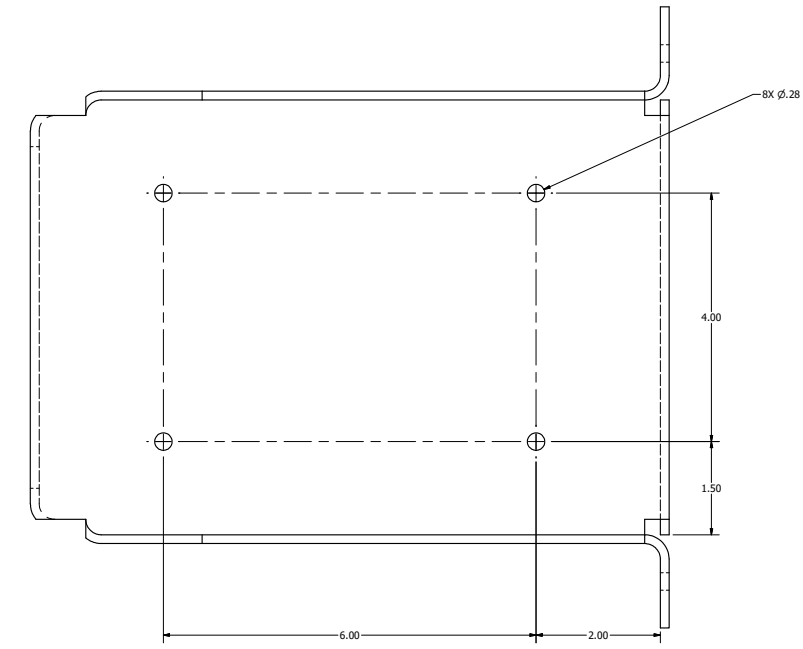


MOTOR MOUNT
SCALE 1 : 1

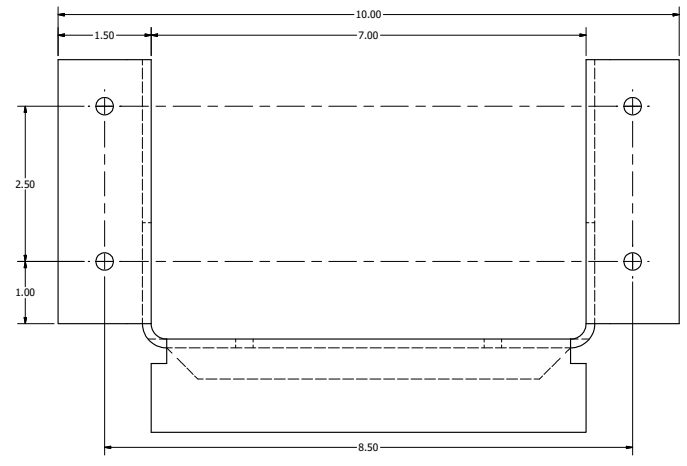
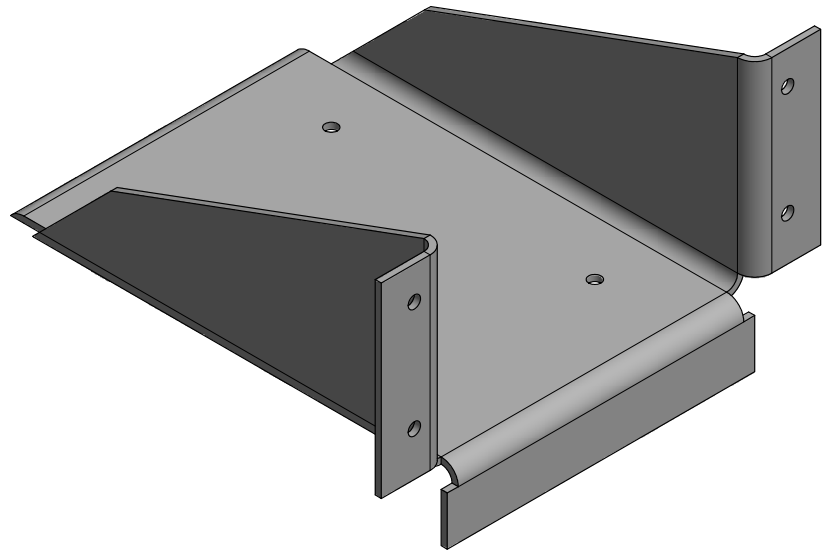
GENERAL NOTES:
INSIDE BEND RADIUS R.25

DDGT DIGITAL DESIGN GRAPHICS TECHNOLOGY WWW.DDGT.NET	<table border="1"> <tr><td> </td></tr> <tr><td> </td></tr> <tr><td> </td></tr> <tr><td> </td></tr> <tr><td> </td></tr> <tr><td> </td></tr> <tr><td> </td></tr> </table>								 <small>TOLERANCES UNLESS SPECIFIED: DECIMAL INCHES: .015 = F.002 .001 = F.001 FRACTIONAL INCHES: ANGLES ± 1 DEGREE SURFACES <input checked="" type="checkbox"/> </small>	<small>COURSE:</small> DDGT120 <small>INVENTOR DRAFTING NAME:</small> MOTOR MOUNT
<small>FIG. #:</small> 23-54 <small>DRAWER:</small> LLANDA <small>DATE:</small> 12/13/2020 <small>SCALE:</small> AS NOTED <small>PAGE #:</small> 1 OF 3										


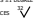
PARTS LIST			
ITEM	QTY	PART NUMBER	DESCRIPTION
1	1	MOTOR SUPPORT	10 GA (.141) USS STEEL



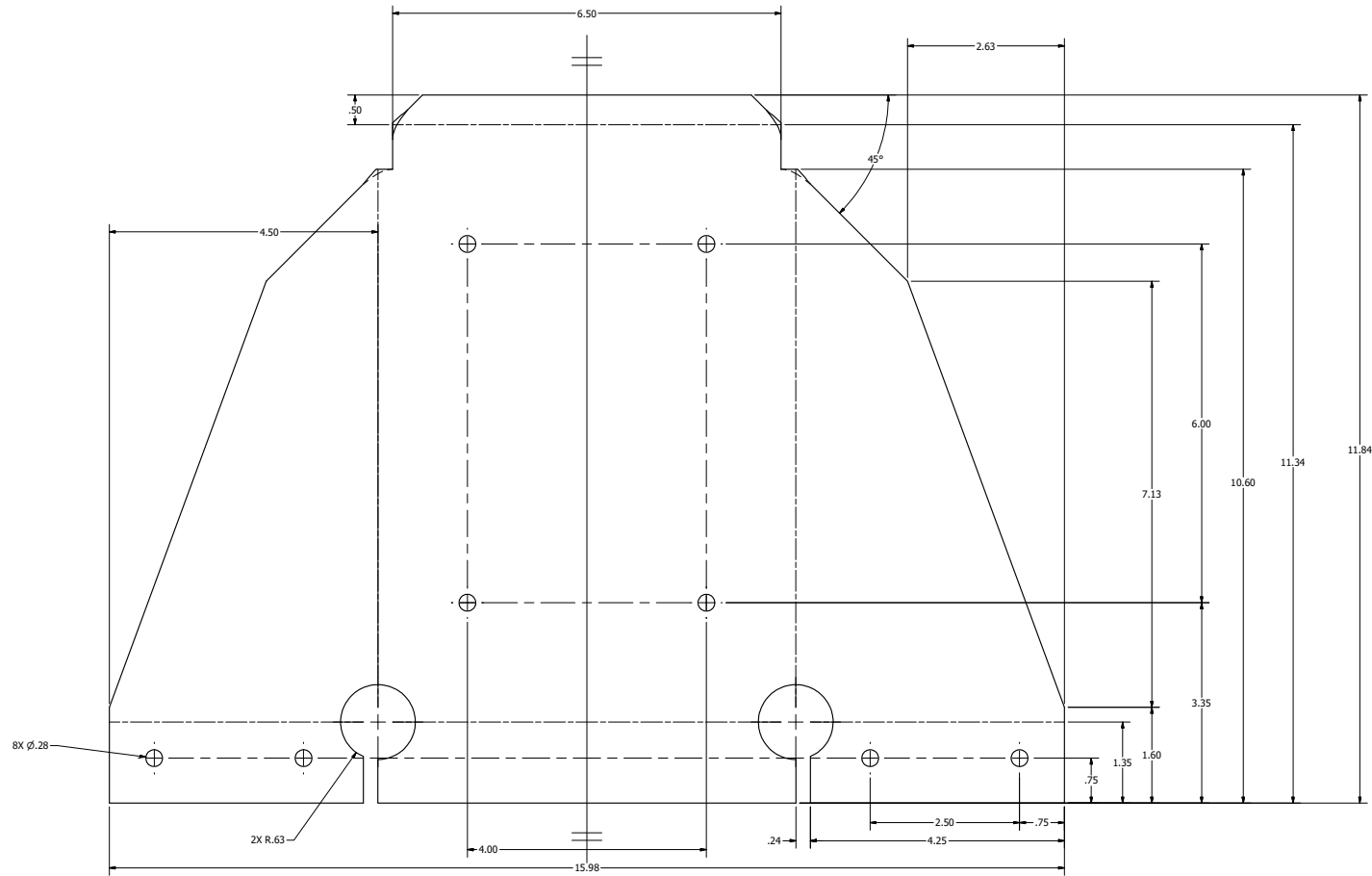
MOTOR MOUNT
SCALE 1 : 1



GENERAL NOTES:
INSIDE BEND RADIUS R.25

 DDGT DIGITAL DESIGN GRAPHICS TECHNOLOGY WWW.DDGT.NET	TOLERANCES UNLESS SPECIFIED: DECIMAL INCHES: .015 = FINEST .030 = MEDIUM .060 = STANDARD ANGLES ± 1 DEGREE SURFACES 	COURSE: DDGT120 INVENTOR DRAWING NAME: MOTOR MOUNT
		FIG. # 23-54 DRAWER: LLANDA DATE: 12/13/2020 SCALE: AS NOTED PAGE #: 2 OF 3


PARTS LIST			
ITEM	QTY	PART NUMBER	DESCRIPTION
1	1	MOTOR SUPPORT	10 GA (.141) USS STEEL



MOTOR SUPPORT FLAT PATTERN
SCALE 1 : 1

LEGEND:
 Ø DIAMETER
 R RADIUS
 ° DEGREES

GENERAL NOTES:
 INSIDE BEND RADIUS R.25

 DIGITAL DESIGN GRAPHICS TECHNOLOGY WWW.DDGT.NET	COURSE: DDGT120 INVENTOR DRAWING NAME: MOTOR MOUNT
	FIG. # 23-54 DRAWER: L.LANDA DATE: 12/13/2020
	SCALE: AS NOTED PAGE #: 3 OF 3
	TOLERANCES UNLESS SPECIFIED: DECIMAL INCHES: .125 = ±.005 .063 = ±.003 .031 = ±.002 FRACTIONAL INCHES: ANGLES ±1 DEGREE SURFACES 