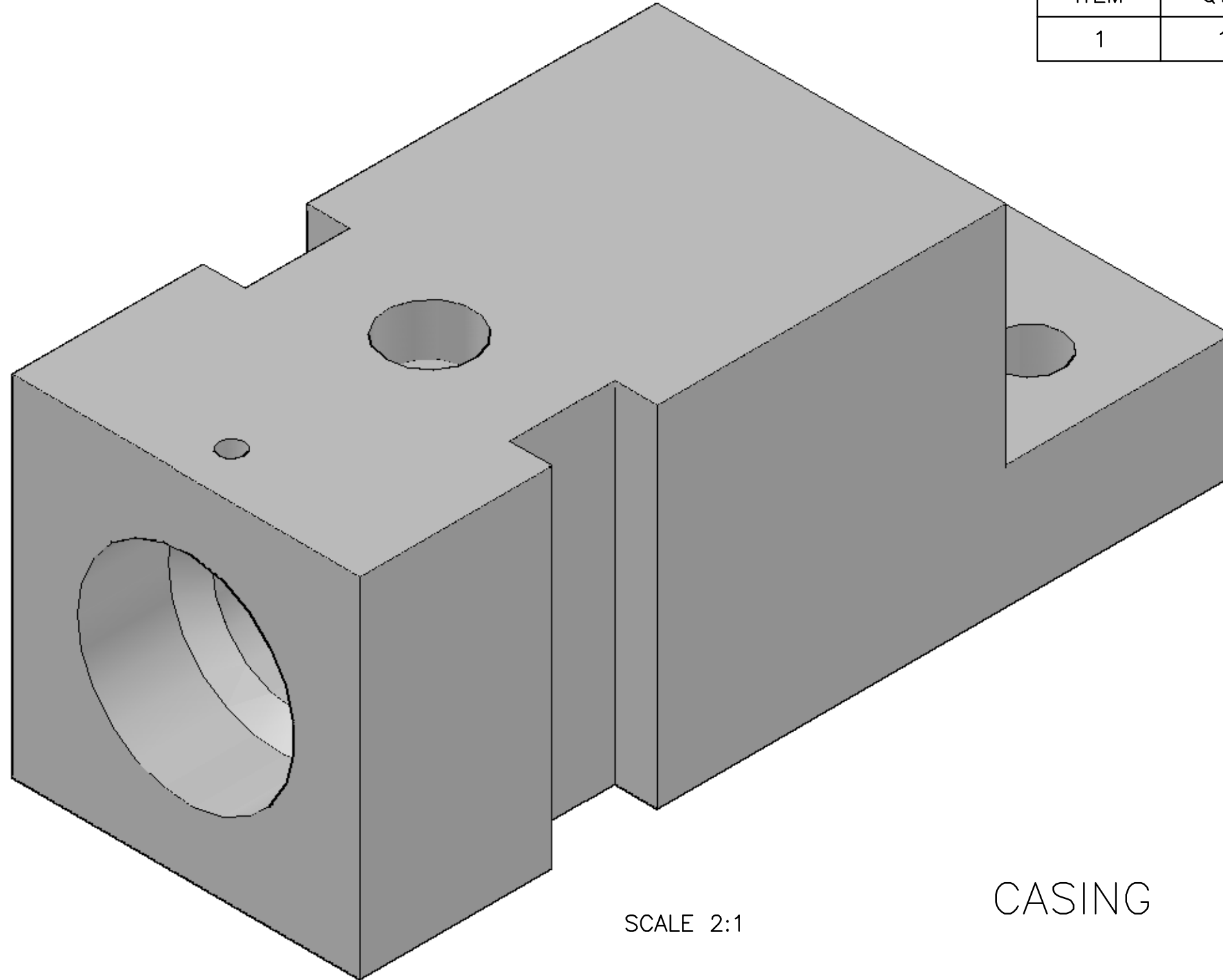


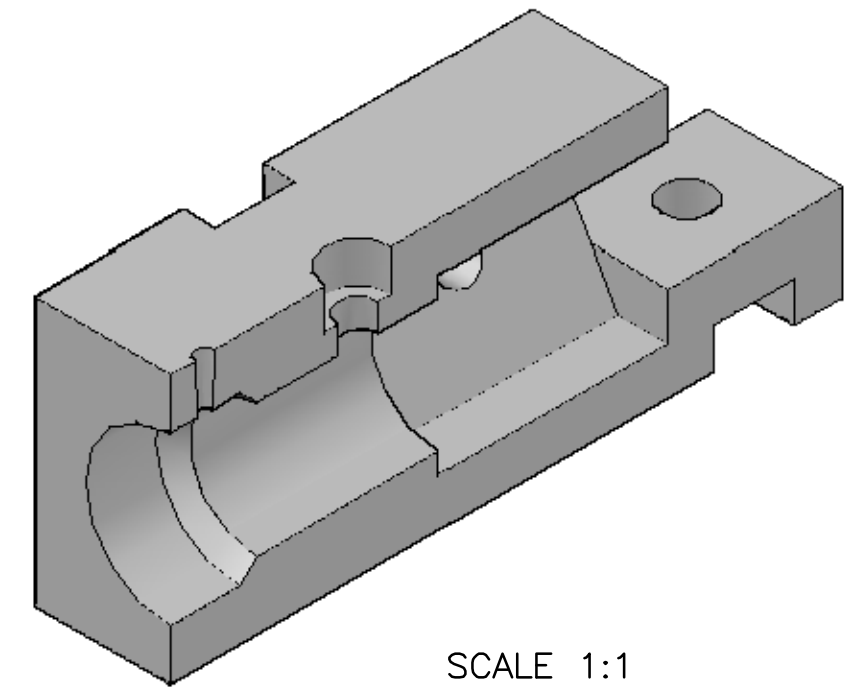
# PARTS LIST

ITEM	QTY	PART NAME	MATERIAL
1	1	CASING	SAE 1012



SCALE 2:1

CASING



SCALE 1:1

DIGITAL DESIGN  
GRAPHICS  
TECHNOLOGY

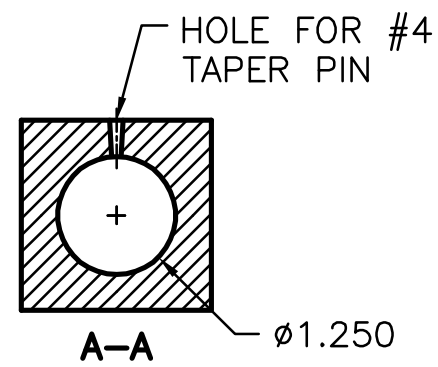
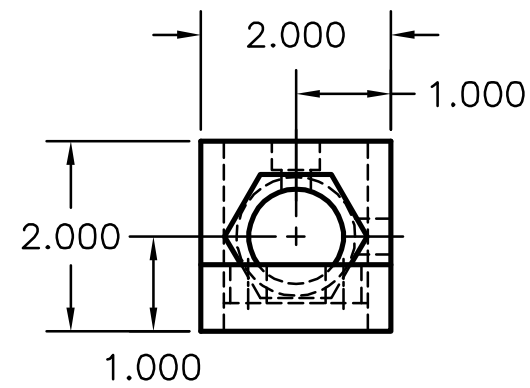
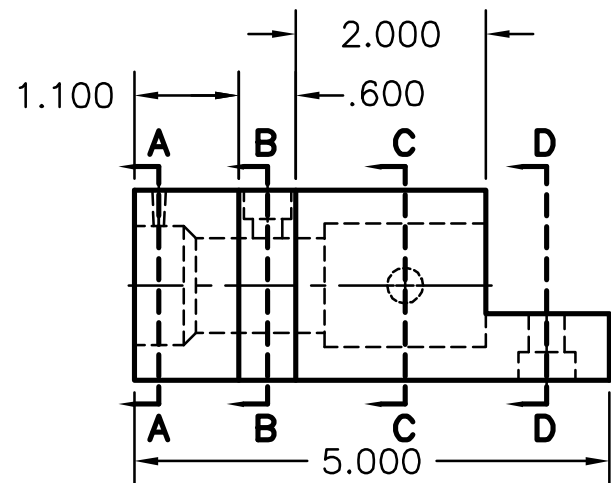
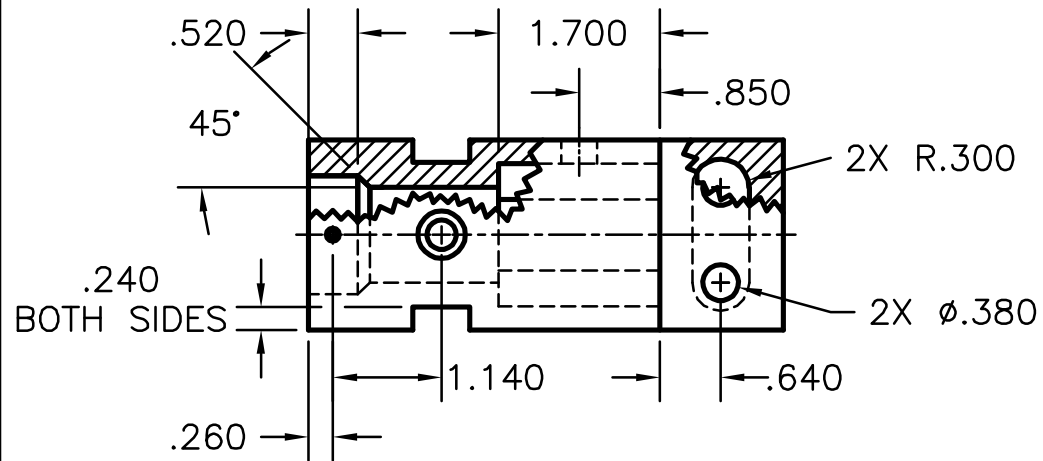
NAME: L. MILGROM  
COURSE: DDGT 120  
DATE: 11/04/14

DWG NAME: 9-39  
CASING  
SCALE: AS NOTED

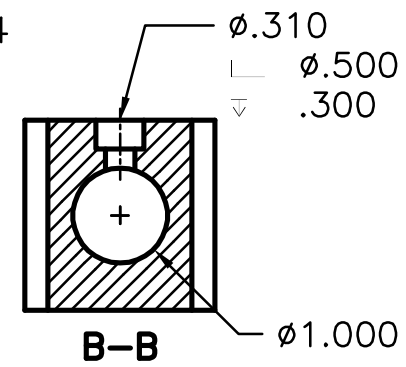
PAGE #:  
1 OF 2

# PARTS LIST

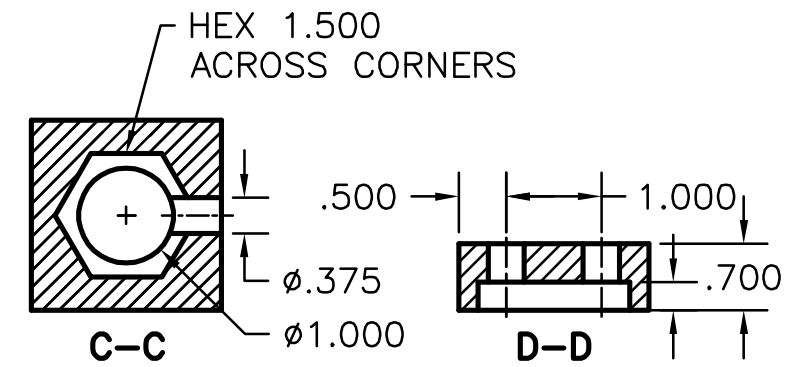
ITEM	QTY	PART NAME
1	1	CASING



SCALE 1:2



SCALE 1:2



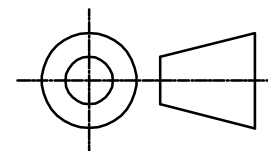
SCALE 1:2

SCALE 1:2

## CASING

### LEGEND:

- DEGREES
- R RADIUS
- $\phi$  DIAMETER
- L COUNTERBORE
- D DEPTH



DIGITAL DESIGN GRAPHICS TECHNOLOGY	NAME: L. MILGROM	DWG NAME: 9-39	PAGE #: 2 OF 2
	COURSE: DDGT 120	CASING	
	DATE: 11/04/14	SCALE: 1:2	