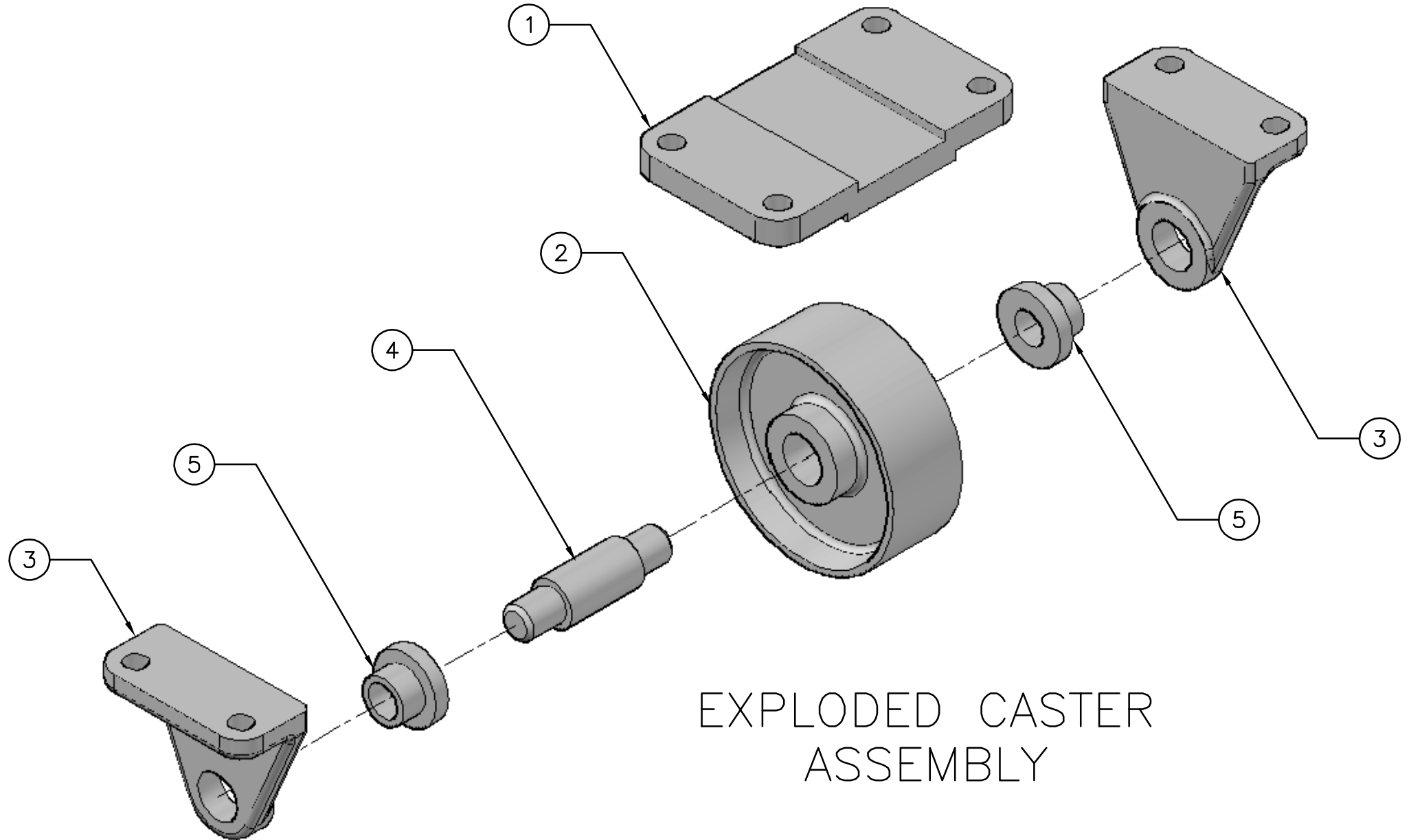


CASTER ASSEMBLY

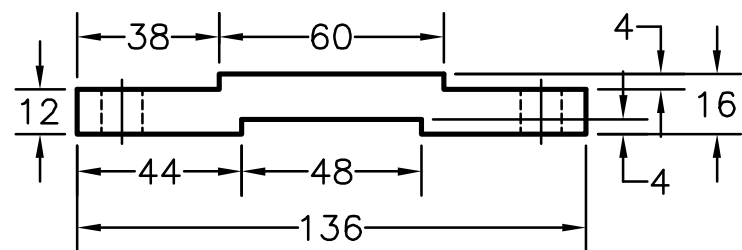
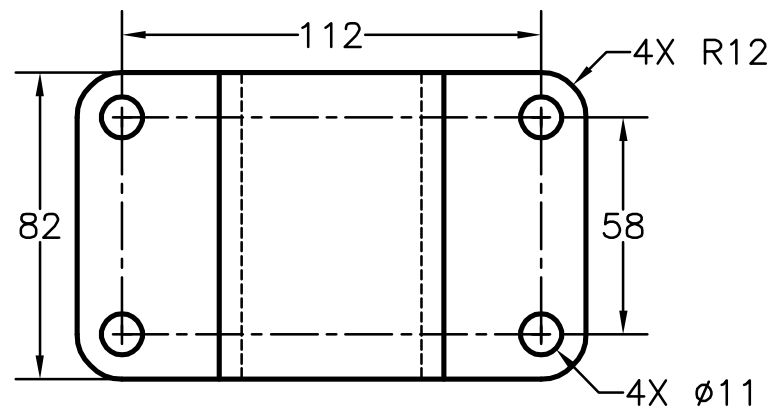
METRIC

PARTS LIST			
ITEM	QTY	PART NAME	MATERIAL
1	1	TOP PLATE	MALLEABLE IRON
2	1	WHEEL	MALLEABLE IRON
3	2	AXLE SUPPORT	MALLEABLE IRON
4	1	AXLE	SAE 1020
5	2	BUSHING	BRONZE



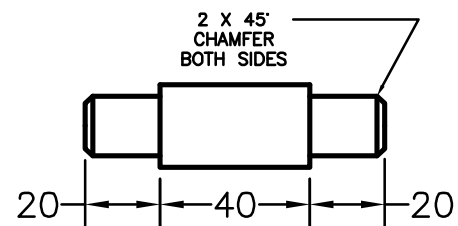
EXPLODED CASTER ASSEMBLY

DIGITAL DESIGN GRAPHICS TECHNOLOGY	NAME:	L. MILGROM	DWG NAME:	9-51 CASTOR	PAGE #:	1 OF 2
	COURSE:	DDGT 120	SCALE:	1:2		
	DATE:	10/28/14				

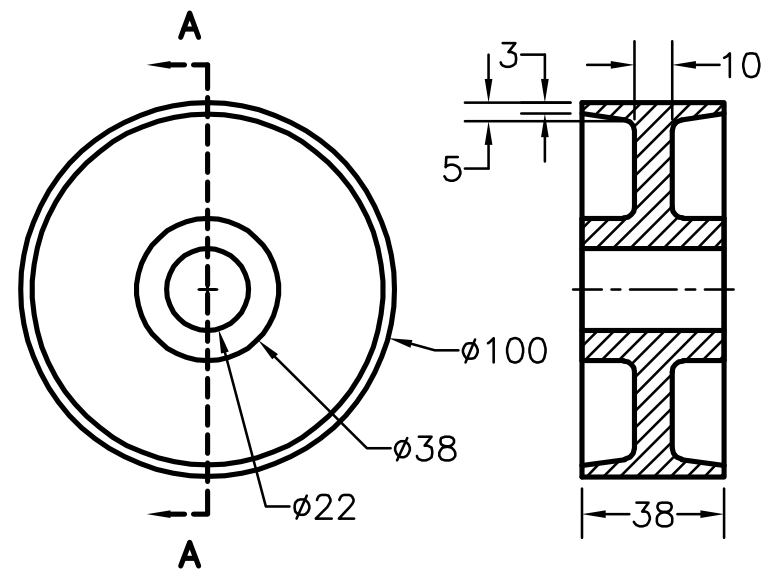
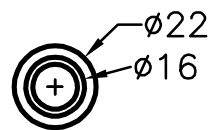


TOP PLATE

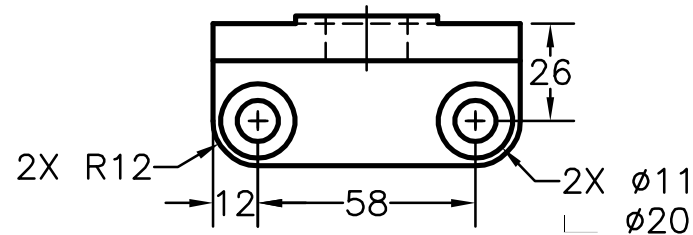
AXLE SUPPORT



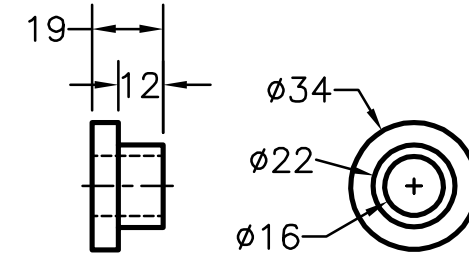
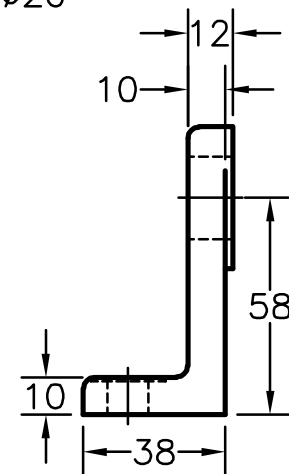
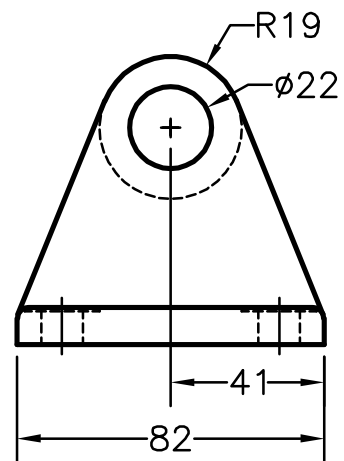
AXLE



WHEEL



AXLE SUPPORT



BUSHING

## PARTS LIST

ITEM	QTY	PART NAME
1	1	TOP PLATE
2	1	WHEEL
3	2	AXLE SUPPORT
4	1	AXLE
5	2	BUSHING

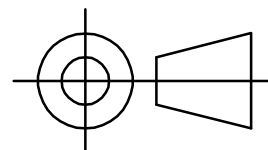
METRIC

ROUNDS AND FILLETS R3

FIT	BETWEEN PARTS
H8/f7	4 AND 5
H7/p6	3 AND 5
H8/f7	2 AND 4

### LEGEND:

- DEGREES
- R RADIUS
- Ø DIAMETER
- SPOTFACE



DIGITAL DESIGN  
GRAPHICS  
TECHNOLOGY

NAME: L. MILGROM  
COURSE: DDGT 120  
DATE: 10/28/14

DWG NAME: 9-51  
CASTOR  
SCALE: 1:2

PAGE #:  
2 OF 2