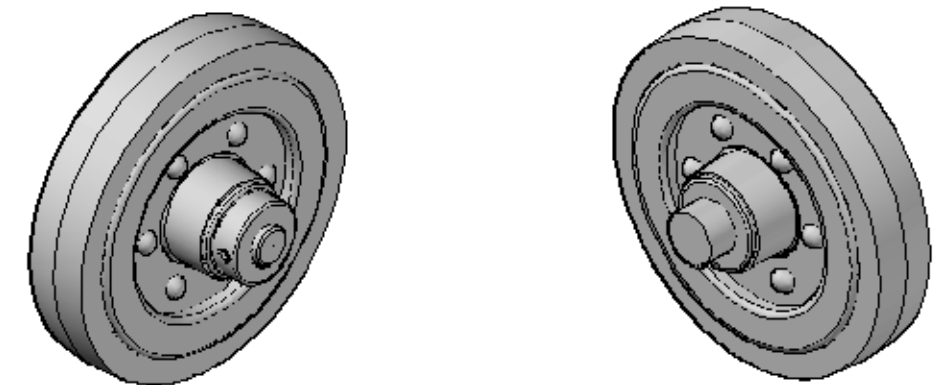


EXPLODED WHEEL ASSEMBLY
SCALE 1:4



WHEEL ASSEMBLY
SCALE 1:4

PARTS LIST

ITEM	QTY	PART NAME	MATERIAL
1	1	AXLE	SAE 1020
2	1	AXLE BUSHING	BRONZE
3	2	ADJUSTING WASHER	STEEL
4	1	AXLE END BUSHING	STEEL
5	1	HUB	CAST IRON
6	2	RIM HALF	SHEET METAL
7	1	WHEEL	RUBBER
8	6	RIVET	STEEL
9	1	SPRING PIN	SAE 1070



DIGITAL DESIGN
GRAPHICS
TECHNOLOGY

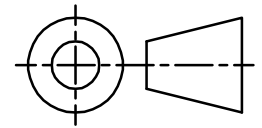
WWW.DDGT.NET



LOUIE MILGROM
Drafter | Designer

louismilgrom@hotmail.com
707-227-5960

www.ddgt.net/studentpages/milgrom



TOLERANCES UNLESS SPECIFIED:
DECIMAL INCHES:
X = ±.020
XX = ±.010
XXX = ±.005
FRACTIONAL ±1/64"
ANGLES ±1 DEGREE
SURFACES 32/

COURSE: DDGT 121

AUTOCAD DWG NAME:
WHEEL ASSEMBLY

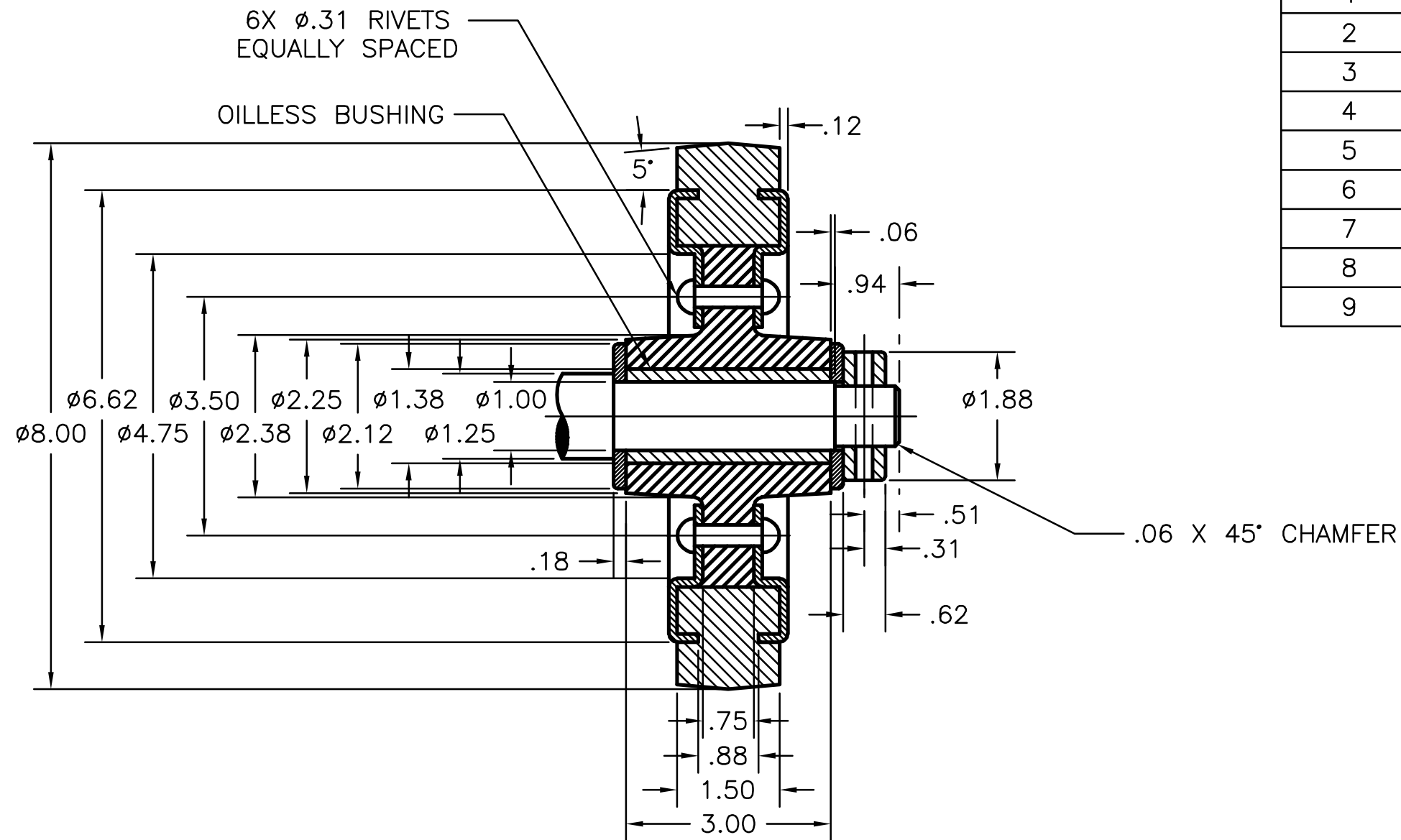
FIG NO: 11-55

DRAFTER: L. MILGROM

DATE: 1/28/15

SCALE: AS NOTED

PAGE NO: 1 OF 2



PARTS LIST

ITEM	QTY	PART NAME
1	1	AXLE
2	1	AXLE BUSHING
3	2	ADJUSTING WASHER
4	1	AXLE END BUSHING
5	1	HUB
6	2	RIM HALF
7	1	WHEEL
8	6	RIVET
9	1	SPRING PIN

LEGEND:

- ° DEGREES
- R RADIUS
- ∅ DIAMETER

DDGT

DIGITAL DESIGN
GRAPHICS
TECHNOLOGY

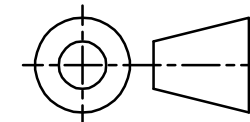
WWW.DDGT.NET



LOUIE MILGROM
Drafter | Designer

louismilgrom@hotmail.com
707-227-5960

www.ddgt.net/studentpages/milgrom



TOLERANCES UNLESS SPECIFIED:
DECIMAL INCHES:
X = ±.020
XX = ±.010
XXX = ±.005
FRACTIONAL ±1/64"
ANGLES ±1 DEGREE

SURFACES 32/

COURSE: DDGT 121

AUTOCAD DWG NAME:

WHEEL ASSEMBLY

FIG NO: 11-55

DRAFTER: L. MILGROM

DATE: 1/28/15

SCALE: 1:2

PAGE NO: 2 OF 2