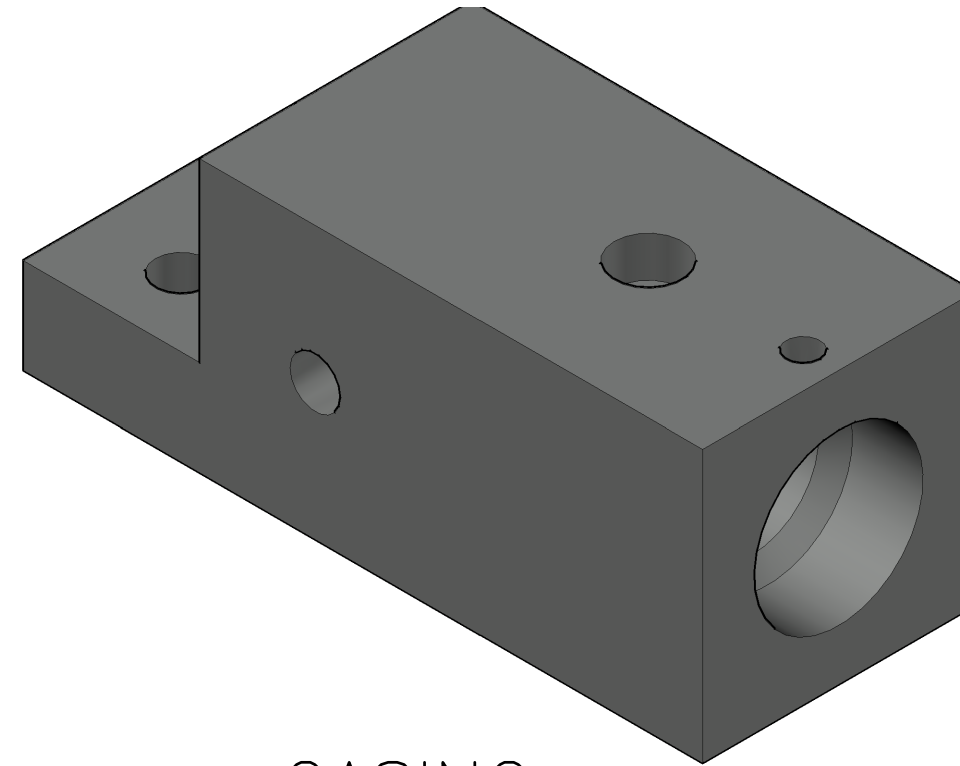
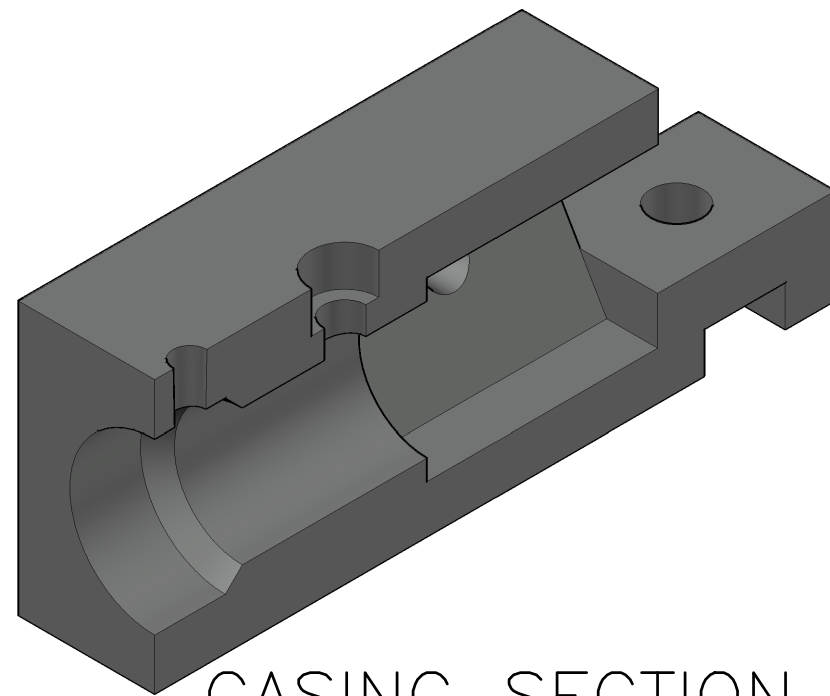


CASING
SCALE 1:1



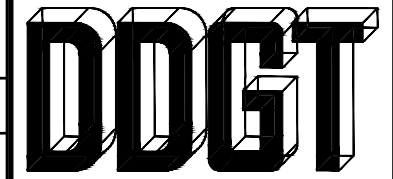
CASING
SCALE 1:1



CASING SECTION
SCALE 1:1

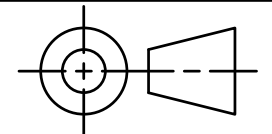
PARTS LIST

ITEM	QTY.	PART NAME	MATERIAL
1	1	CASING	SAE1012



DIGITAL DESIGN
GRAPHICS
TECHNOLOGY

WWW.DDGT.NET



TOLERANCES UNLESS SPECIFIED:
DECIMAL INCHES:
X = ±.020
XX = ±.010
XXX = ±.005
FRACTIONAL ±1/64"
ANGLES ±1 DEGREE
SURFACES 32/

CLASS: DDGT120

ASSIGNMENT #: 57

AUTOCAD DRAWING NAME:

CASING

FIG #: 9-39

MANAGER: G. STROMMEN

DRAFTER: L. RAMIREZ

DATE: 11/22/2023

SCALE: AS NOTED

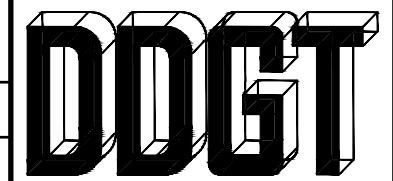
PAGE #: 1 OF 2

LEGEND

- ∅ DIAMETER
- R RADIUS
- ° DEGREES
- ┌ COUNTERBORE
- ∇ DEPTH

PARTS LIST

ITEM	QTY.	PART NAME
1	1	CASING

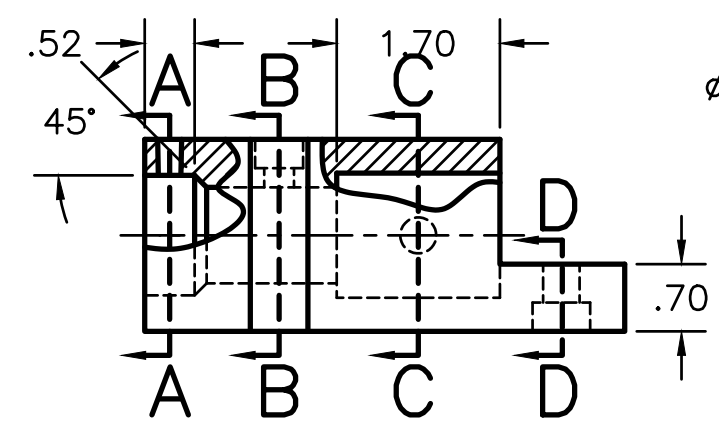
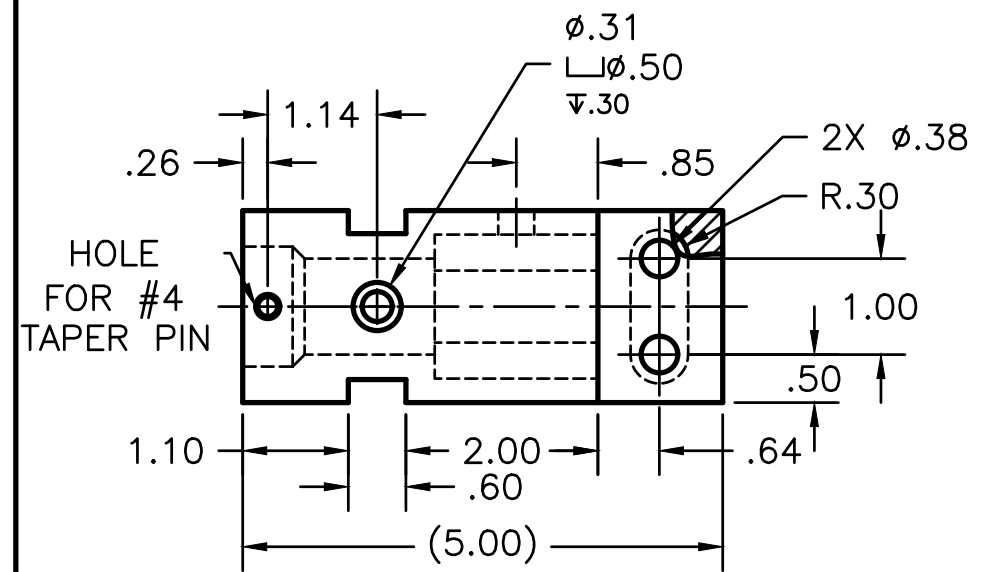


DIGITAL DESIGN
GRAPHICS
TECHNOLOGY

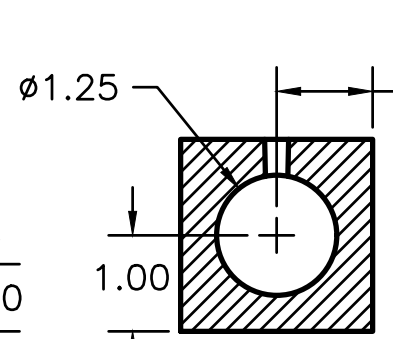
WWW.DDGT.NET

LEGEND

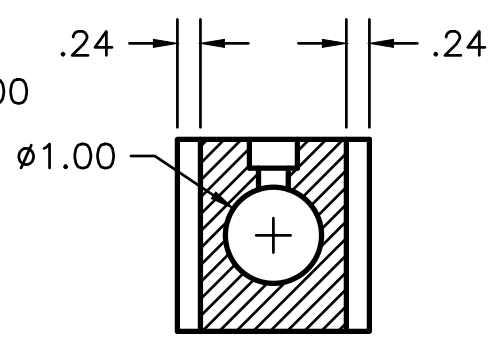
- ∅ DIAMETER
- R RADIUS
- ° DEGREES
- ┌ COUNTERBORE
- ∇ DEPTH



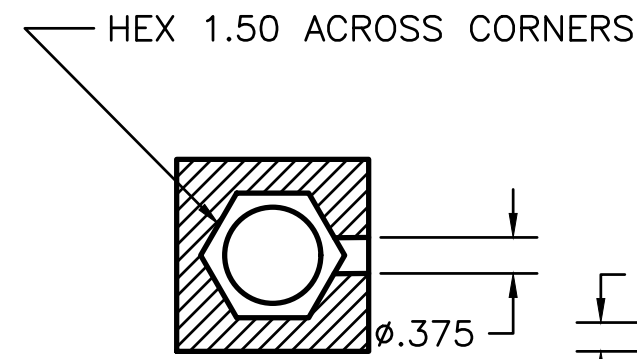
CASING
SCALE 1:2



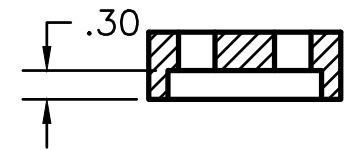
SECTION
A-A



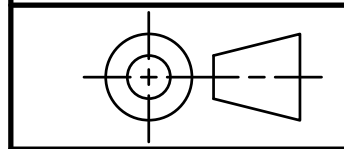
SECTION
B-B



SECTION
C-C



SECTION
D-D



TOLERANCES UNLESS SPECIFIED:
DECIMAL INCHES:
X = ±.020
XX = ±.010
XXX = ±.005
FRACTIONAL ±1/64"
ANGLES ±1 DEGREE
SURFACES 32/

CLASS: DDGT120

ASSIGNMENT #: 57

AUTOCAD DRAWING NAME:
CASING

FIG #: 9-39

MANAGER: G. STROMMEN

DRAFTER: L. RAMIREZ

DATE: 11/22/2023

SCALE: AS NOTED

PAGE #: 2 OF 2