

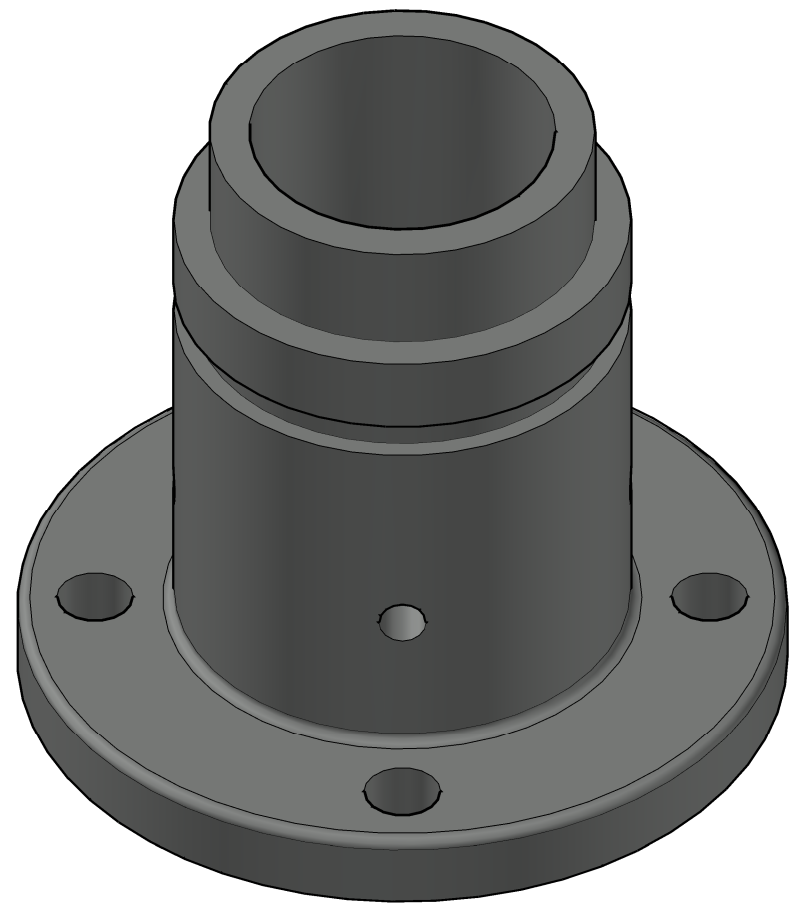
PARTS LIST

| ITEM | QTY. | PART NAME | MATERIAL |
|------|------|-----------|----------|
| 1 | 1 | CONNECTOR | SAE 1110 |

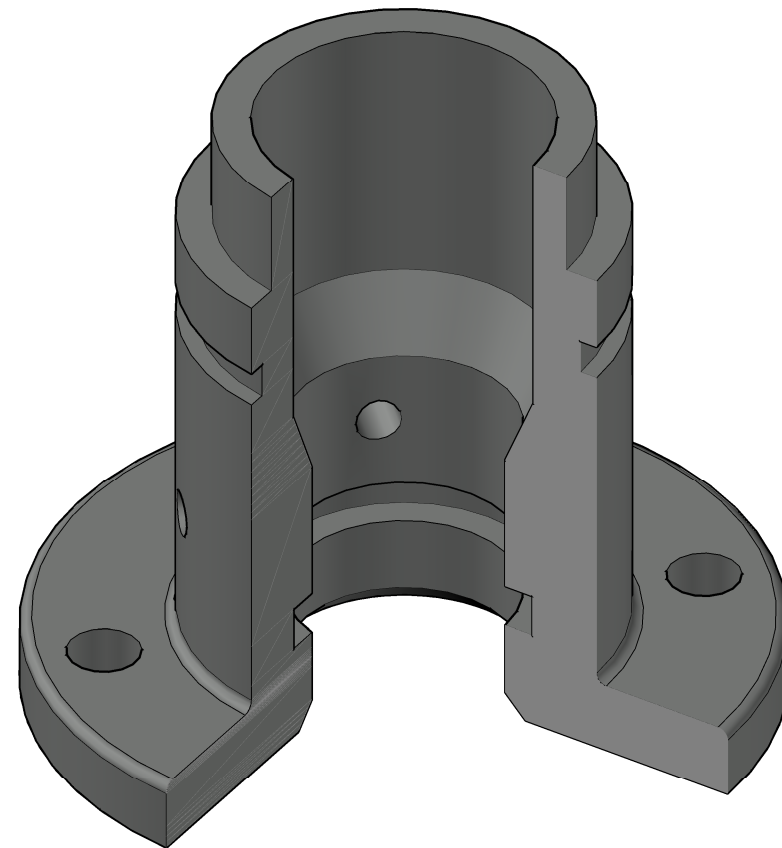


DIGITAL DESIGN
GRAPHICS
TECHNOLOGY

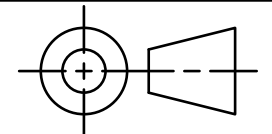
WWW.DDGT.NET



CONNECTOR



CONNECTOR
3/4 SECTION VIEW



TOLERANCES UNLESS SPECIFIED:
DECIMAL INCHES:
X = ±.020
XX = ±.012
XXX = ±.005
FRACTIONAL ±1/64"
ANGLES ±1 DEGREE
SURFACES 32/

CLASS: DDGT 121

ASSIGNMENT #: 33

AUTOCAD DRAWING NAME:
CONNECTOR

FIG #: 14-38

MANAGER G. STROMMEN

DRAFTER: M. KENNING

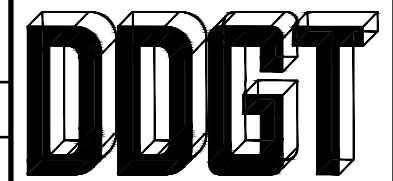
DATE: 2024-05-18

SCALE: 1:1

PAGE #: 1 OF 3

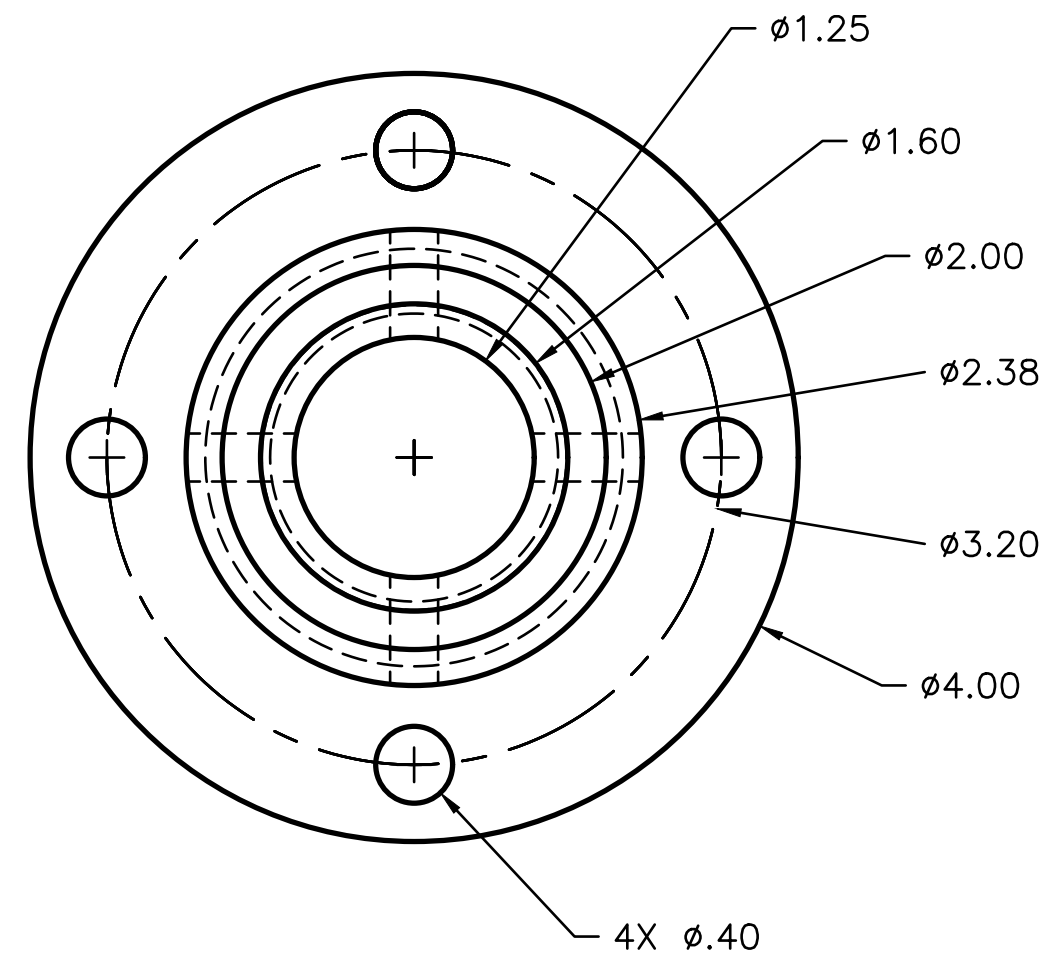
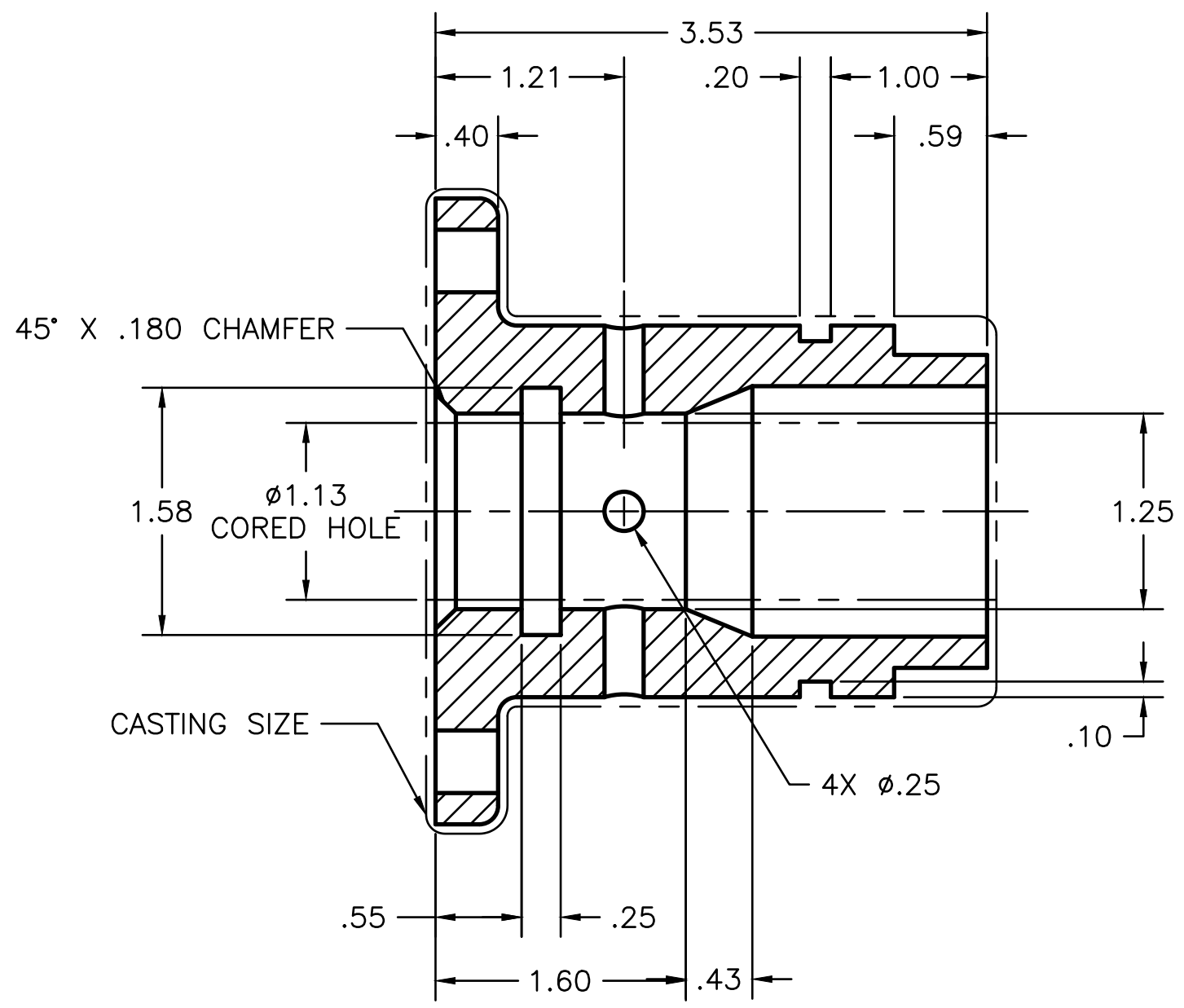
PARTS LIST

| ITEM | QTY. | PART NAME |
|------|------|-----------|
| 1 | 1 | CONNECTOR |



DIGITAL DESIGN
GRAPHICS
TECHNOLOGY

WWW.DDGT.NET

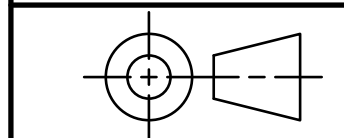


GENERAL NOTES

ROUNDS AND FILLETS R.06 UNLESS OTHERWISE NOTED

LEGEND

∅ DIAMETER
° DEGREES



TOLERANCES UNLESS SPECIFIED:
DECIMAL INCHES:
X = ±.020
XX = ±.012
XXX = ±.005
FRACTIONAL ±1/64"
ANGLES ±1 DEGREE
SURFACES 32/

CLASS: DDGT 121

ASSIGNMENT #: 33

AUTOCAD DRAWING NAME:

CONNECTOR

FIG #: 14-38

MANAGER G. STROMMEN

DRAFTER: M. KENNING

DATE: 2024-05-18

SCALE: 1:1

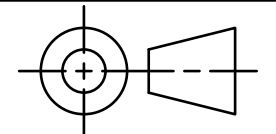
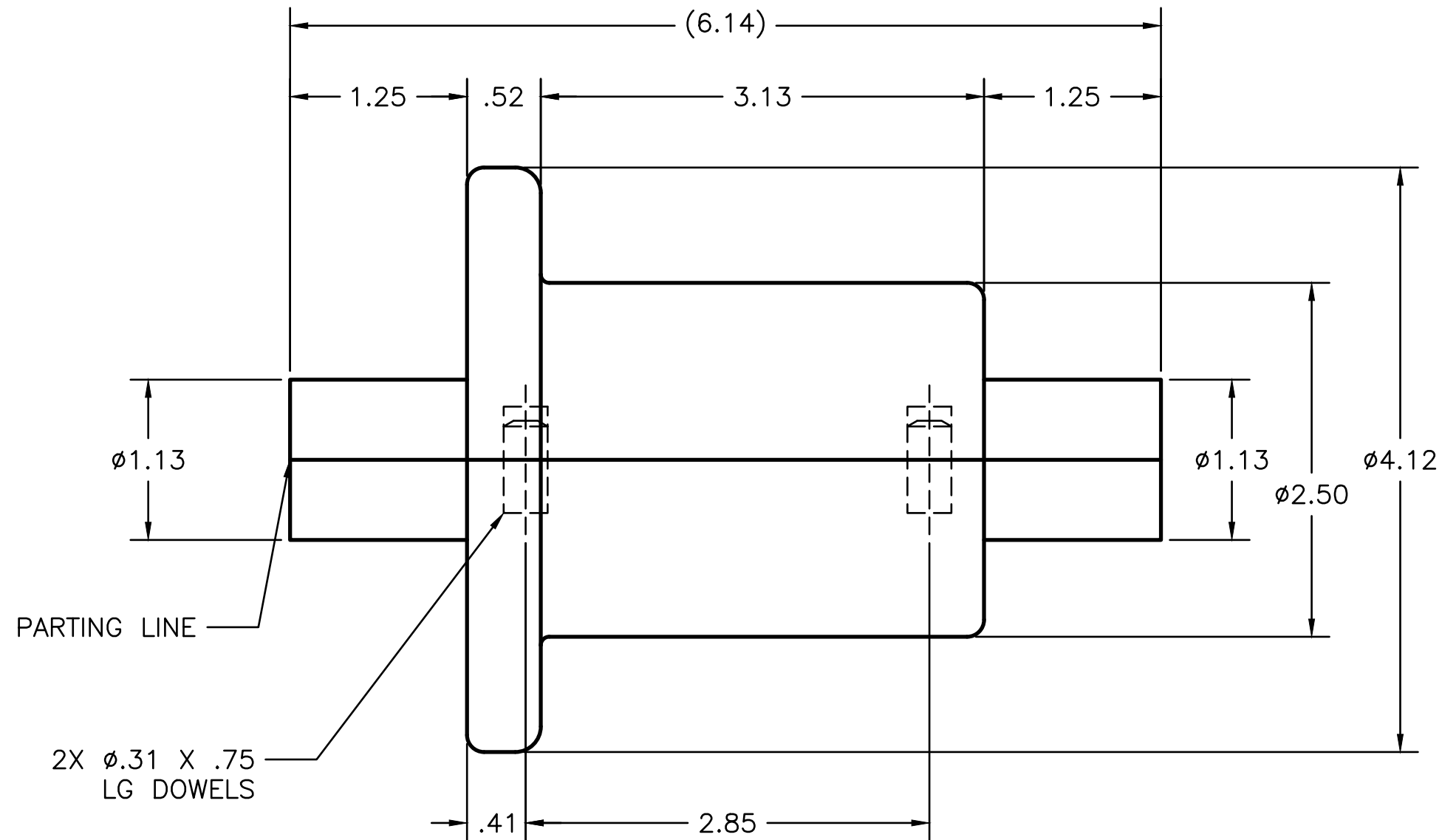
PAGE #: 2 OF 3

| PARTS LIST | | |
|------------|------|-----------|
| ITEM | QTY. | PART NAME |
| 1 | 1 | CONNECTOR |



DIGITAL DESIGN
GRAPHICS
TECHNOLOGY

WWW.DDGT.NET



TOLERANCES UNLESS SPECIFIED:
DECIMAL INCHES:
X = $\pm .020$
XX = $\pm .012$
XXX = $\pm .005$
FRACTIONAL $\pm 1/64$ "
ANGLES ± 1 DEGREE
SURFACES $32/$

CLASS: DDGT 121

ASSIGNMENT #: 33

AUTOCAD DRAWING NAME:
CONNECTOR

FIG #: 14-38

MANAGER G. STROMMEN

DRAFTER: M. KENNING

DATE: 2024-05-18

SCALE: 1:1

PAGE #: 3 OF 3

GENERAL NOTES
ROUNDS AND FILLETS R.06 UNLESS
OTHERWISE NOTED

LEGEND
 ϕ DIAMETER
• DEGREES