

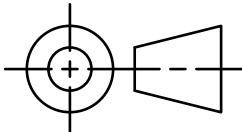
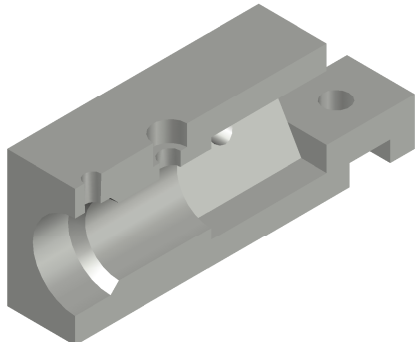
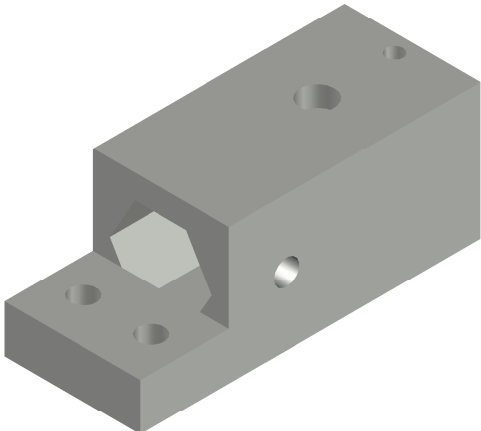
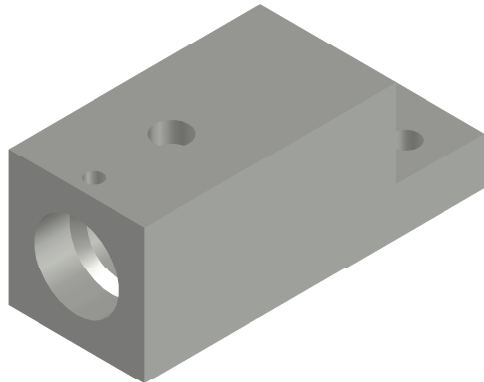
PARTS LIST

ITEM	QTY.	PART NAME	MATERIAL
1	1	CASING	SAE 1012



DIGITAL DESIGN
GRAPHICS
TECHNOLOGY

WWW.DDGT.NET



TOLERANCES UNLESS SPECIFIED:
DECIMAL INCHES:
X = ±.020
XX = ±.012
XXX = ±.005
FRACTIONAL ±1/64"
ANGLES ±1 DEGREE
SURFACES 32/

CLASS: DDGT 120

ASSIGNMENT #: 57 & 64

AUTOCAD DRAWING NAME:
Casing

FIG #: 9-39

MANAGER G. STROMMEN

DRAFTER: M. KENNING

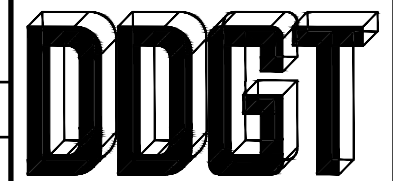
DATE: 2024-05-23

SCALE: 1:2

PAGE #: 1 OF 2

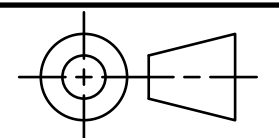
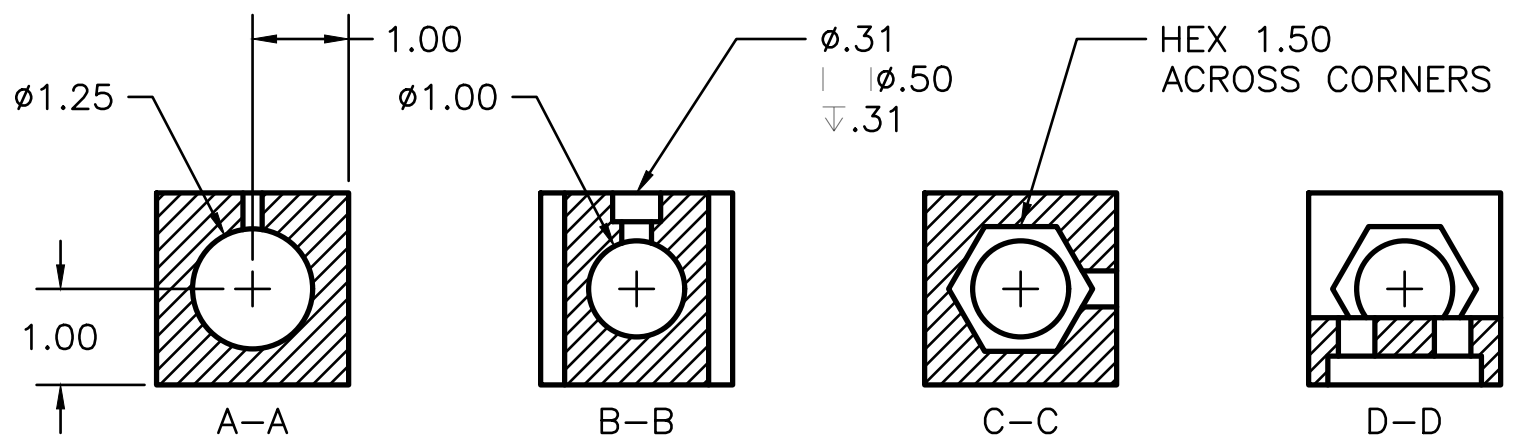
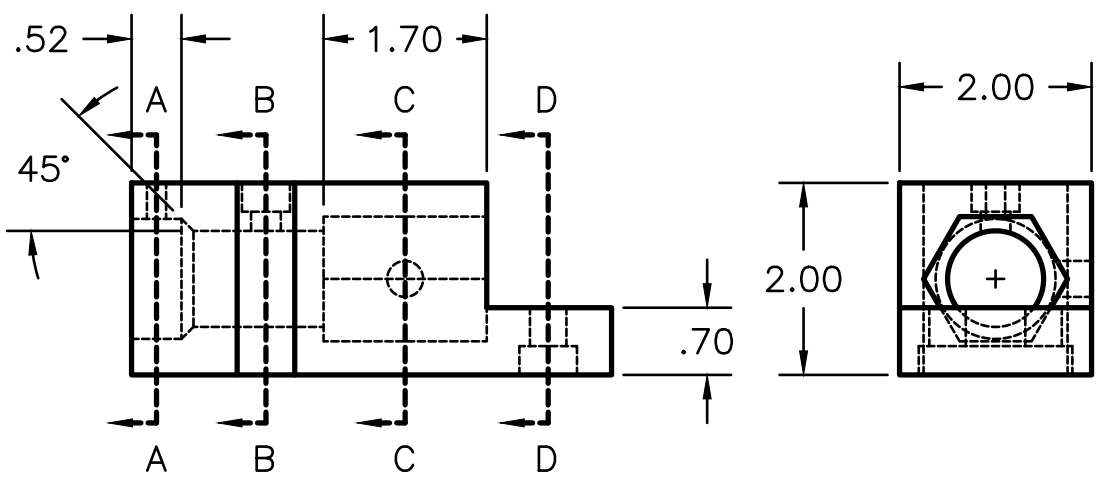
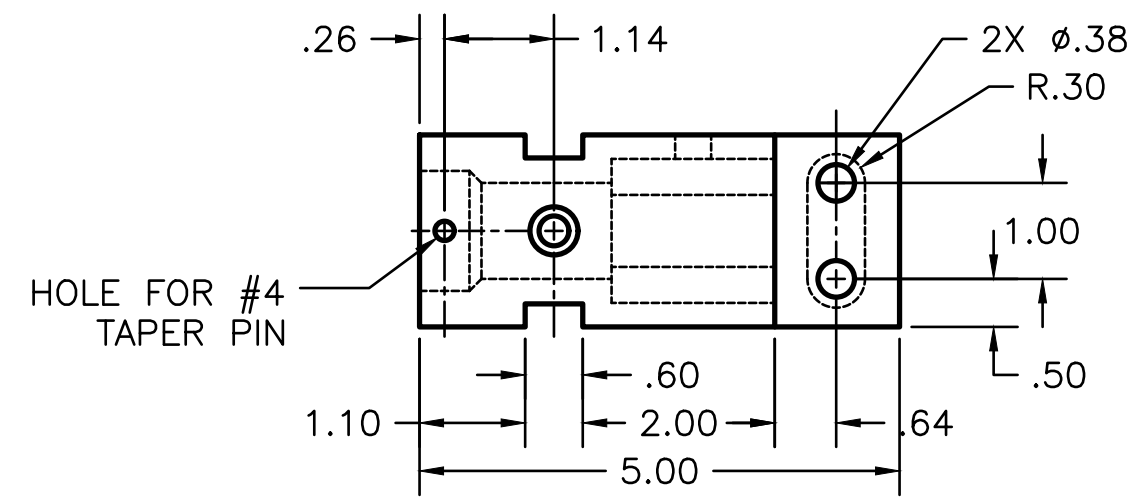
PARTS LIST

ITEM	QTY.	PART NAME
1	1	CASING



DIGITAL DESIGN
GRAPHICS
TECHNOLOGY

WWW.DDGT.NET



TOLERANCES UNLESS SPECIFIED:
DECIMAL INCHES:
X = ±.020
XX = ±.012
XXX = ±.005
FRACTIONAL ±1/64"
ANGLES ±1 DEGREE
SURFACES 32/

CLASS: DDGT 120

ASSIGNMENT #: 57 & 64

AUTOCAD DRAWING NAME:
Casing

FIG #: 9-39

MANAGER G. STROMMEN

DRAFTER: M. KENNING

DATE: 2024-05-23

SCALE: 1:2

PAGE #: 2 OF 2