

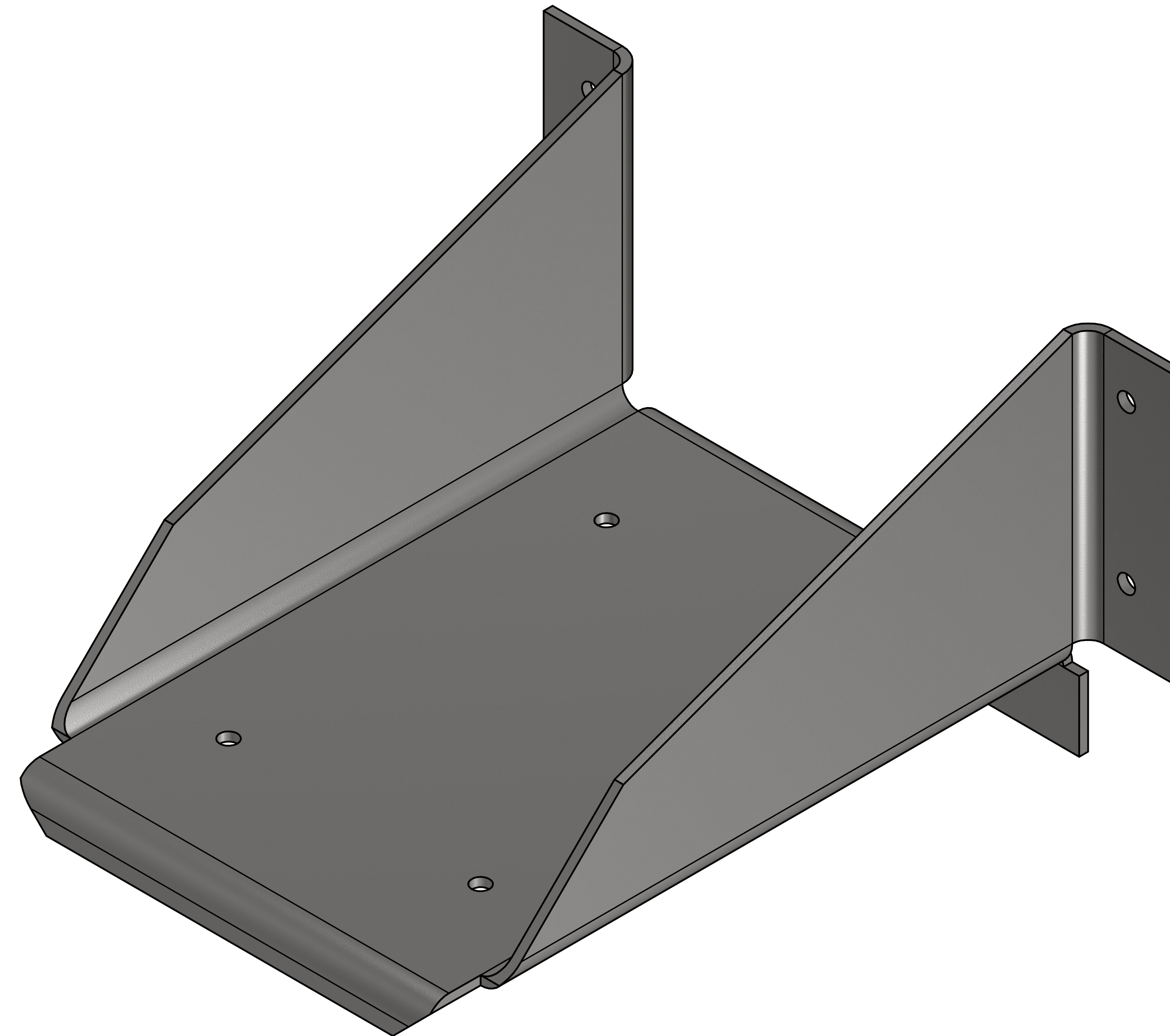
PARTS LIST			
ITEM	QTY	PART NUMBER	DESCRIPTION
1	1	MOTOR SUPPORT	10 GA (.141) USS STEEL



DIGITAL DESIGN
GRAPHICS
TECHNOLOGY

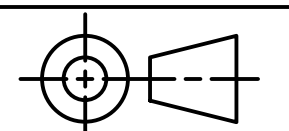
WWW.DDGT.NET

GENERAL NOTES:
INSIDE BEND RADIUS
R.25



MOTOR MOUNT
SCALE 1 : 1

GENERAL NOTES:
INSIDE BEND RADIUS R.25



TOLERANCES UNLESS SPECIFIED:
DECIMAL INCHES:
X = ±.010
XX = ±.010
XXX = ±.005
FRACTIONAL ±1/64"
ANGLES ±1 DEGREE

SURFACES \sqrt{V}

CLASS: DDGT120

ASSIGNMENT #: 69

INVENTOR DRAWING NAME:

MOTOR MOUNT

FIG #: 23-54

MANAGER: G. STROMMEN

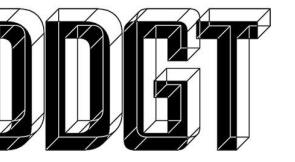
DRAFTER: M.KENNING

DATE: 12/15/2023

SCALE: AS NOTED

PAGE #: 1 OF 3

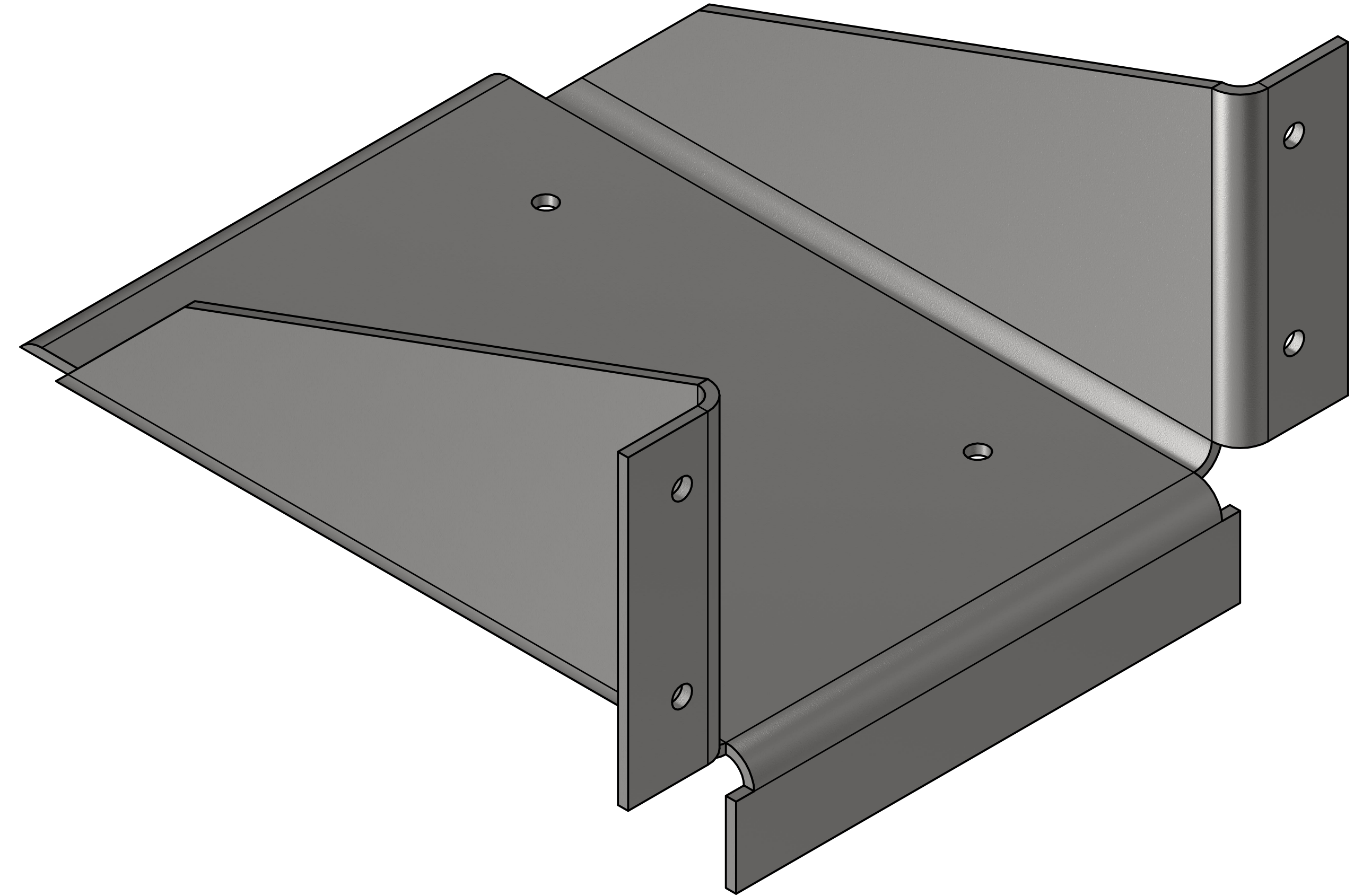
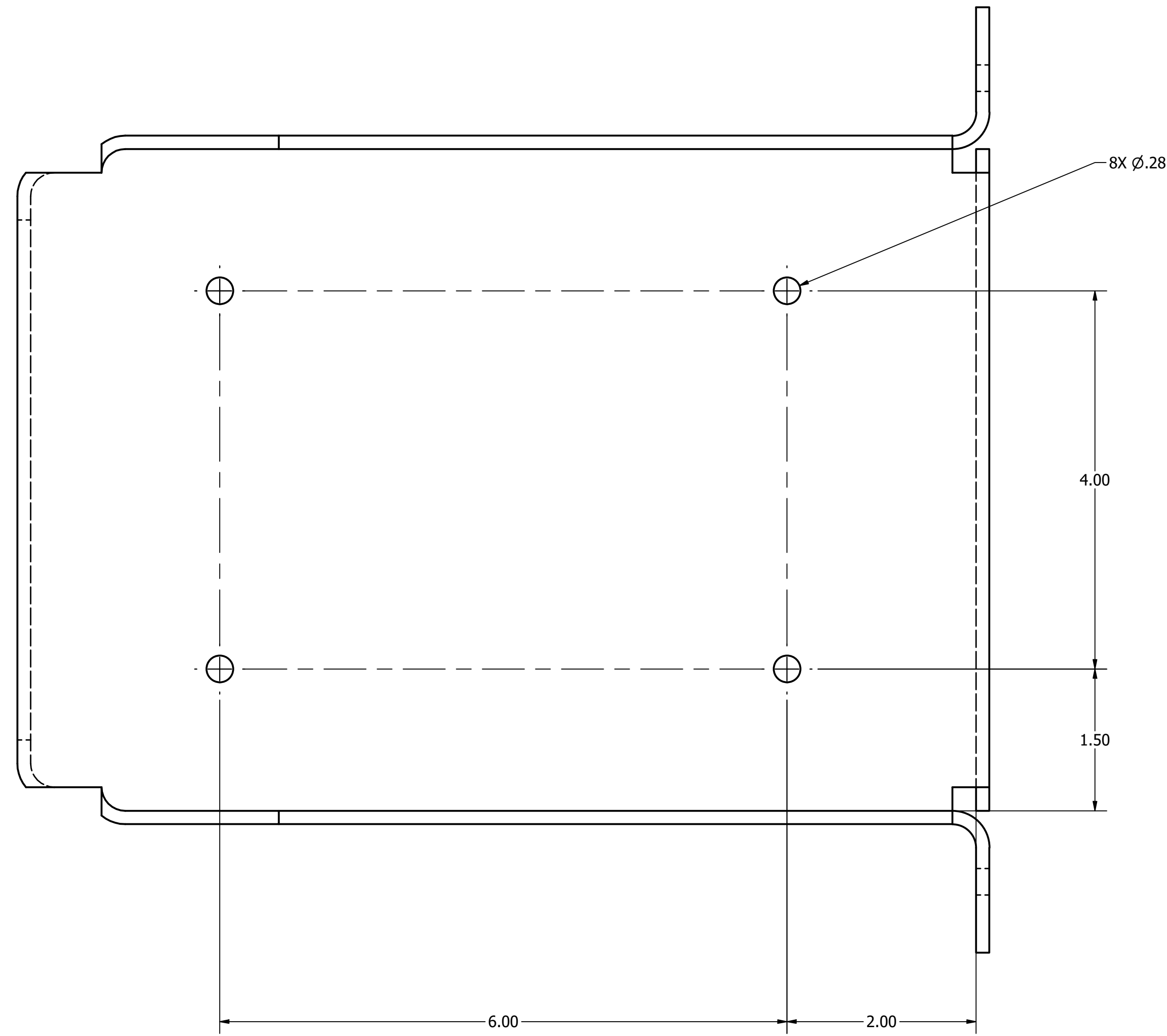
PARTS LIST			
ITEM	QTY	PART NUMBER	DESCRIPTION
1	1	MOTOR SUPPORT	10 GA (.141) USS STEEL



DIGITAL DESIGN
GRAPHICS
TECHNOLOGY

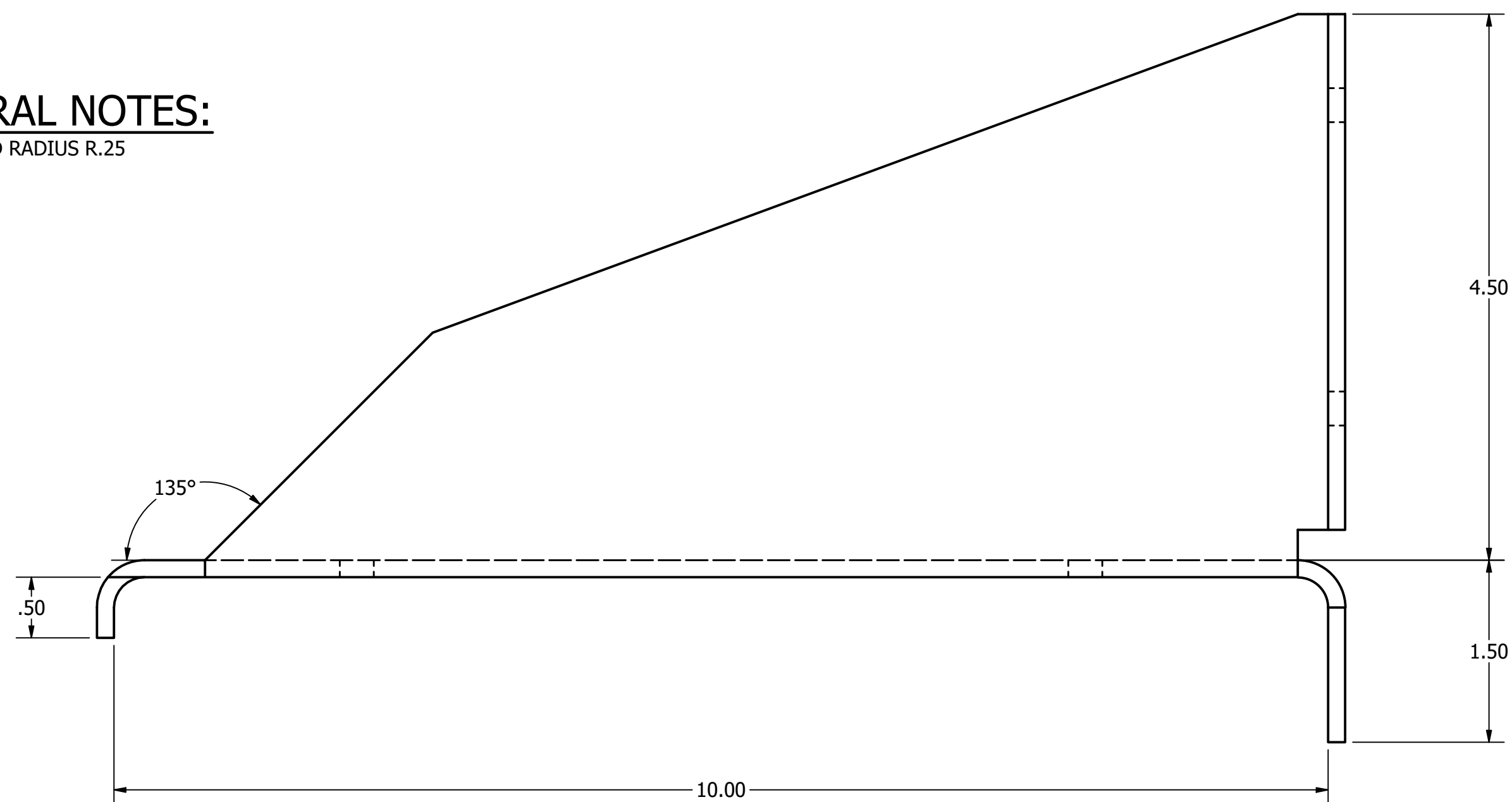
WWW.DDGT.NET

GENERAL NOTES:
INSIDE BEND RADIUS
R.25

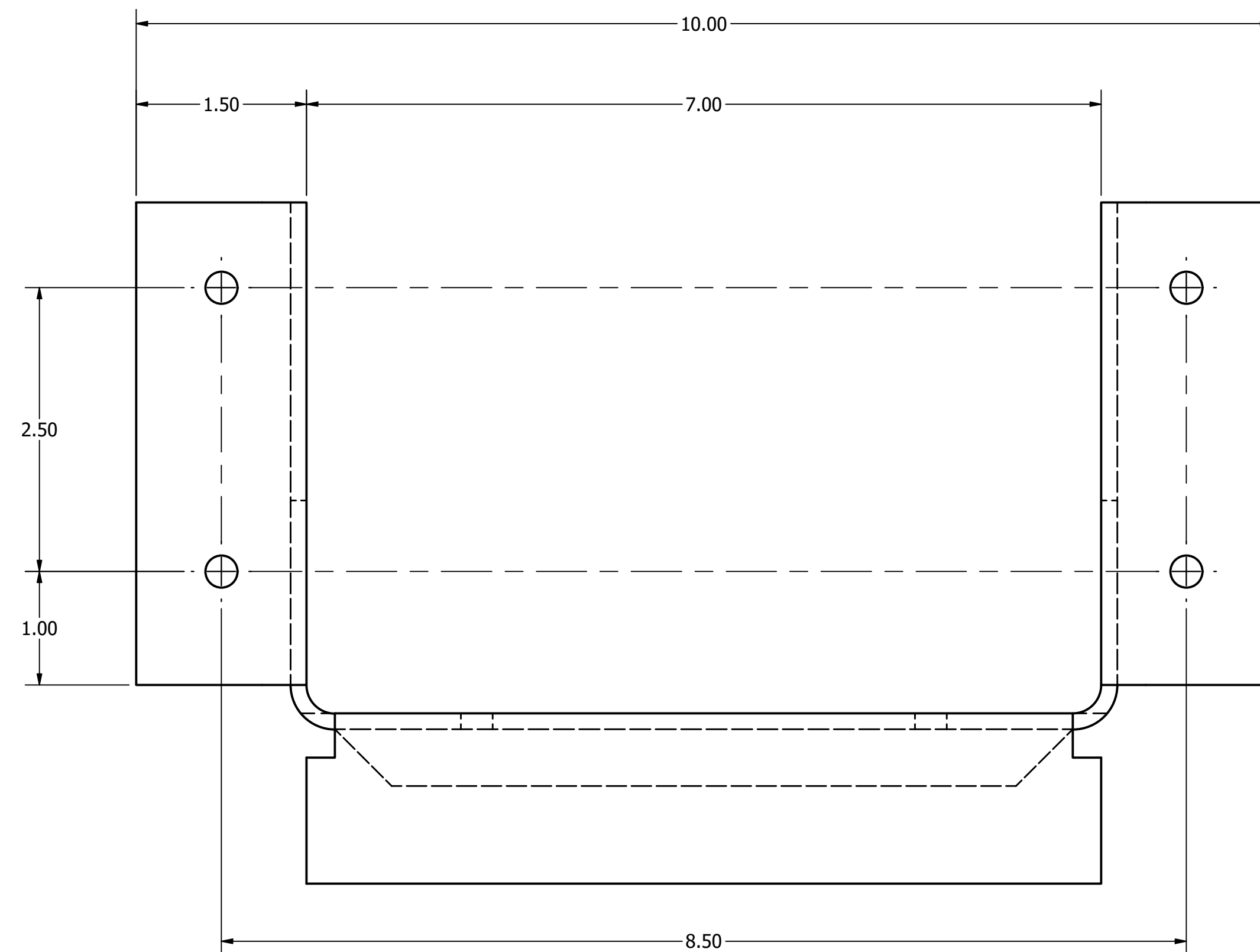


GENERAL NOTES:

INSIDE BEND RADIUS R.25

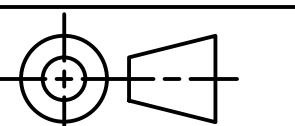


MOTOR MOUNT
SCALE 1 : 1



LEGEND:

- Ø DIAMETER
- R RADIUS
- ° DEGREES



TOLERANCES UNLESS SPECIFIED:
DECIMAL INCHES:
X = ±.010
XX = ±.010
XXX = ±.005
FRACTIONAL ±1/64"
ANGLES ±1 DEGREE

SURFACES $\sqrt{\text{V}}$

CLASS: DDGT120

ASSIGNMENT #: 69

INVENTOR DRAWING NAME:
MOTOR MOUNT

FIG #: 23-54

MANAGER: G. STROMMEN

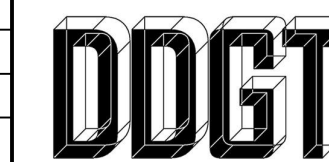
DRAFTER: M.KENNING

DATE: 12/15/2023

SCALE: AS NOTED

PAGE #: 2 OF 3

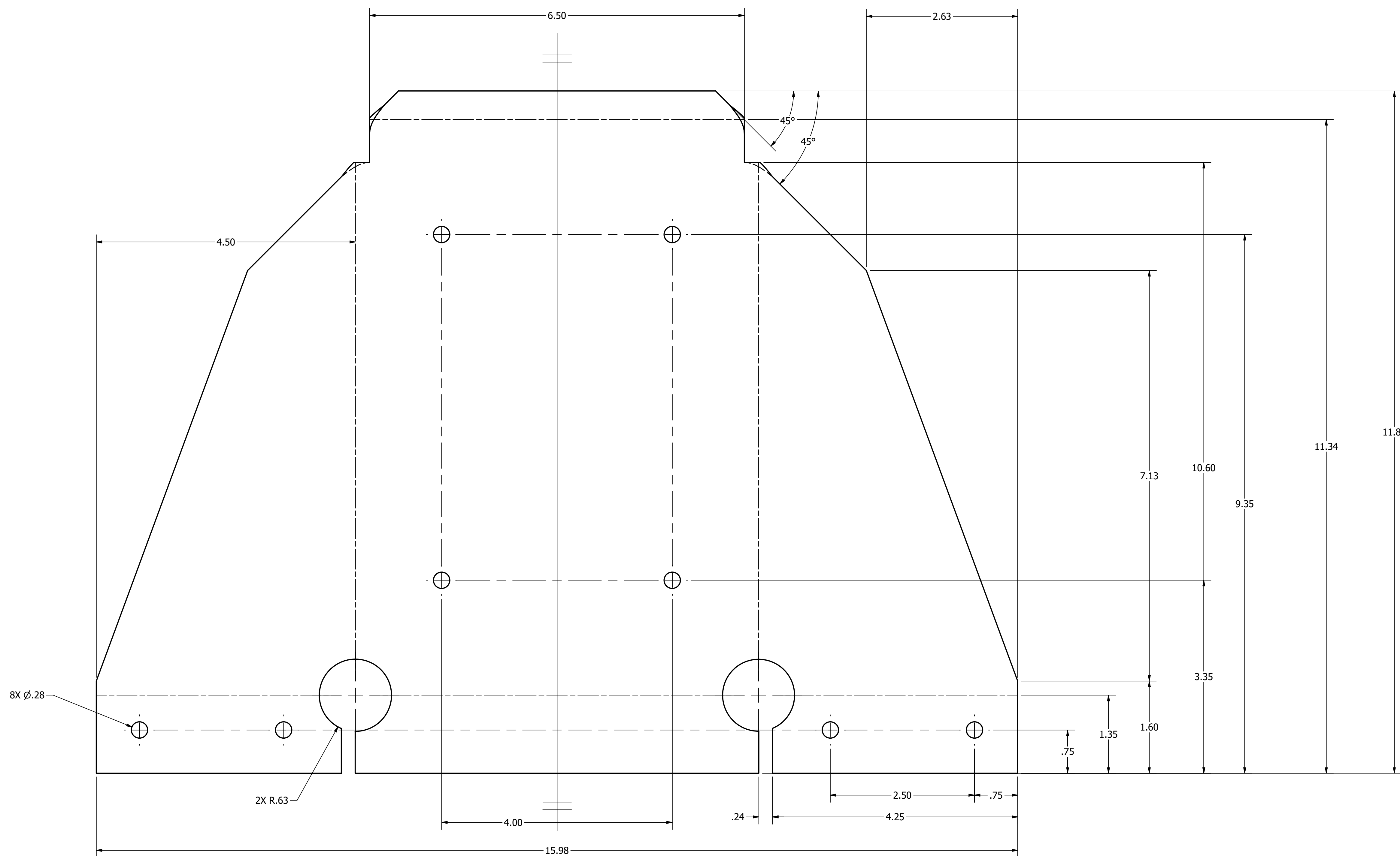
PARTS LIST			
ITEM	QTY	PART NUMBER	DESCRIPTION
1	1	MOTOR SUPPORT	10 GA (.141) USS STEEL



DIGITAL DESIGN
GRAPHICS
TECHNOLOGY

WWW.DDGT.NET

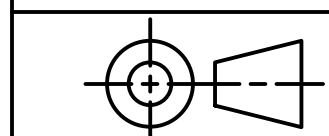
GENERAL NOTES:
INSIDE BEND RADIUS
R.25



MOTOR SUPPORT FLAT PATTEN
SCALE 1 : 1

GENERAL NOTES:
INSIDE BEND RADIUS R.25

LEGEND:
Ø DIAMETER
R RADIUS
° DEGREES



TOLERANCES UNLESS SPECIFIED:
DECIMAL INCHES:
X = ±.010
XX = ±.010
XXX = ±.005
FRACTIONAL ±1/64"
ANGLES ±1 DEGREE

SURFACES \sqrt{V}

CLASS: DDGT120

ASSIGNMENT #: 69

INVENTOR DRAWING NAME:

MOTOR MOUNT

FIG #: 23-54

MANAGER: G. STROMMEN

DRAFTER: M.KENNING

DATE: 12/15/2023

SCALE: AS NOTED

PAGE #: 3 OF 3