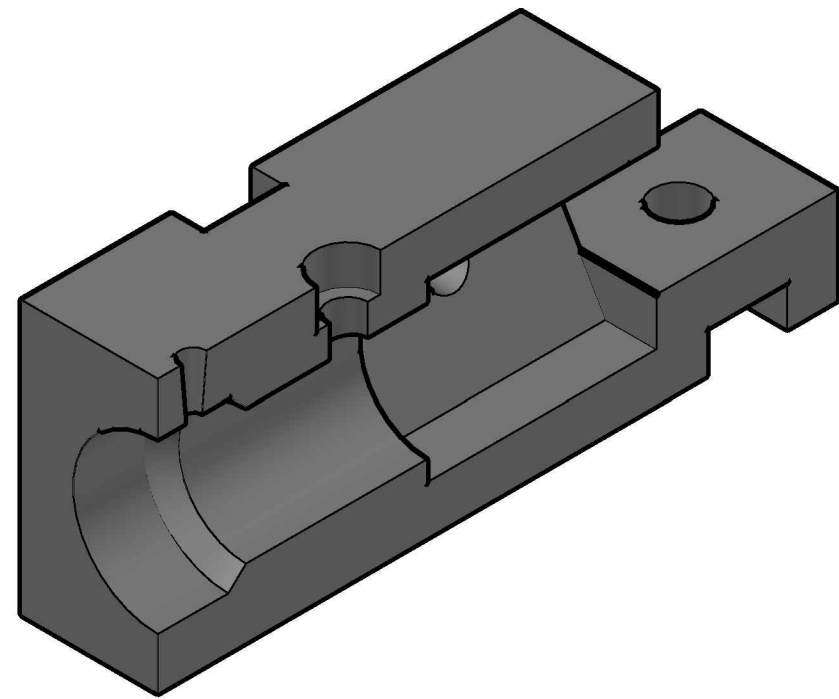
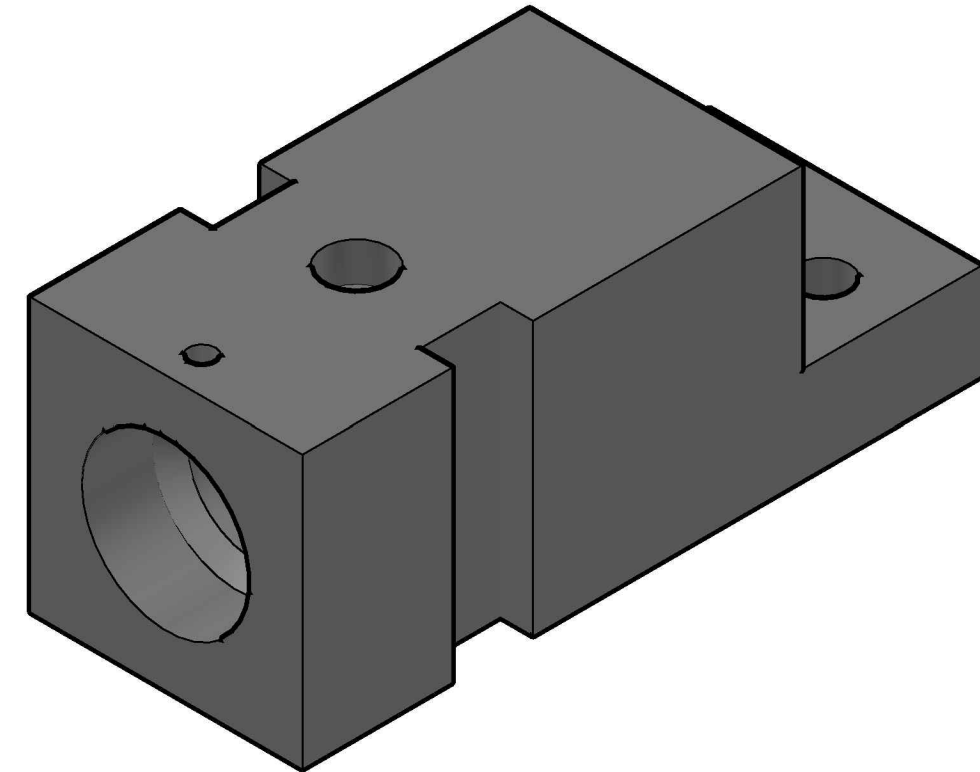


PARTS LIST

ITEM	QTY	PART NAME	MATERIAL
1	1	CASING	SAE 1012



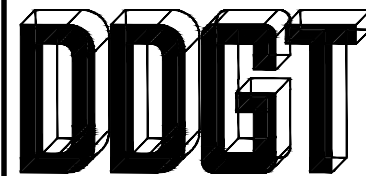
CASING SECTION



CASING

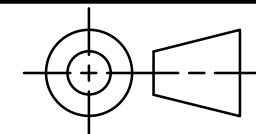
LEGEND:

- ∅ DIAMETER
- R RADIUS
- DEGREES
- | | COUNTERBORE
- ∇ DEPTH



DIGITAL DESIGN
GRAPHICS
TECHNOLOGY

WWW.DDGT.NET



TOLERANCES UNLESS SPECIFIED:
DECIMAL INCHES:
X = ±.020
XX = ±.010
XXX = ±.005
FRACTIONAL ANGLES ±1/64"
ANGLES ±1 DEGREE
SURFACES 32/√

COURSE: DDGT 120

AUTOCAD DRAWING NAME:
CASING

FIG #: 9-39

DRAFTER: M. MCDONOUGH

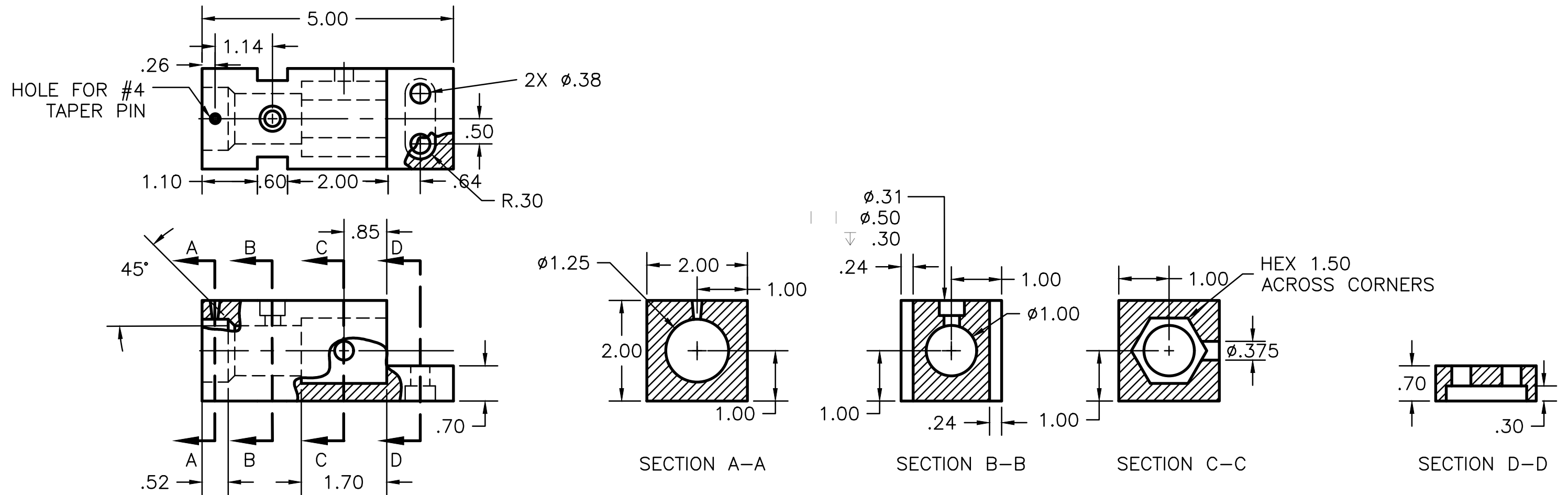
DATE: 11/6/19

SCALE: 1:1

PAGE #: 2 OF 2

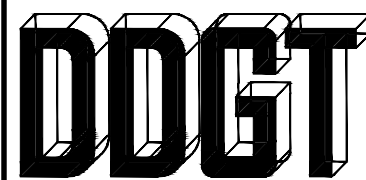
PARTS LIST

ITEM	QTY	PART NAME
1	1	CASING



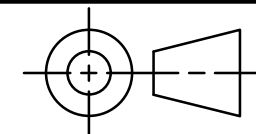
LEGEND:

- ϕ DIAMETER
- R RADIUS
- ° DEGREES
- COUNTERBORE
- DEPTH



DIGITAL DESIGN
GRAPHICS
TECHNOLOGY

WWW.DDGT.NET



TOLERANCES UNLESS SPECIFIED:
DECIMAL INCHES:
X = $\pm .020$
XX = $\pm .010$
XXX = $\pm .005$
FRACTIONAL ANGLES $\pm 1/64^\circ$
ANGLES ± 1 DEGREE
SURFACES $32\sqrt{\text{ }}$

COURSE: DDGT 120

AUTOCAD DRAWING NAME:
CASING

FIG #: 9-39

DRAFTER: M. MCDONOUGH

DATE: 11/6/19

SCALE: 1:2

PAGE #: 2 OF 2