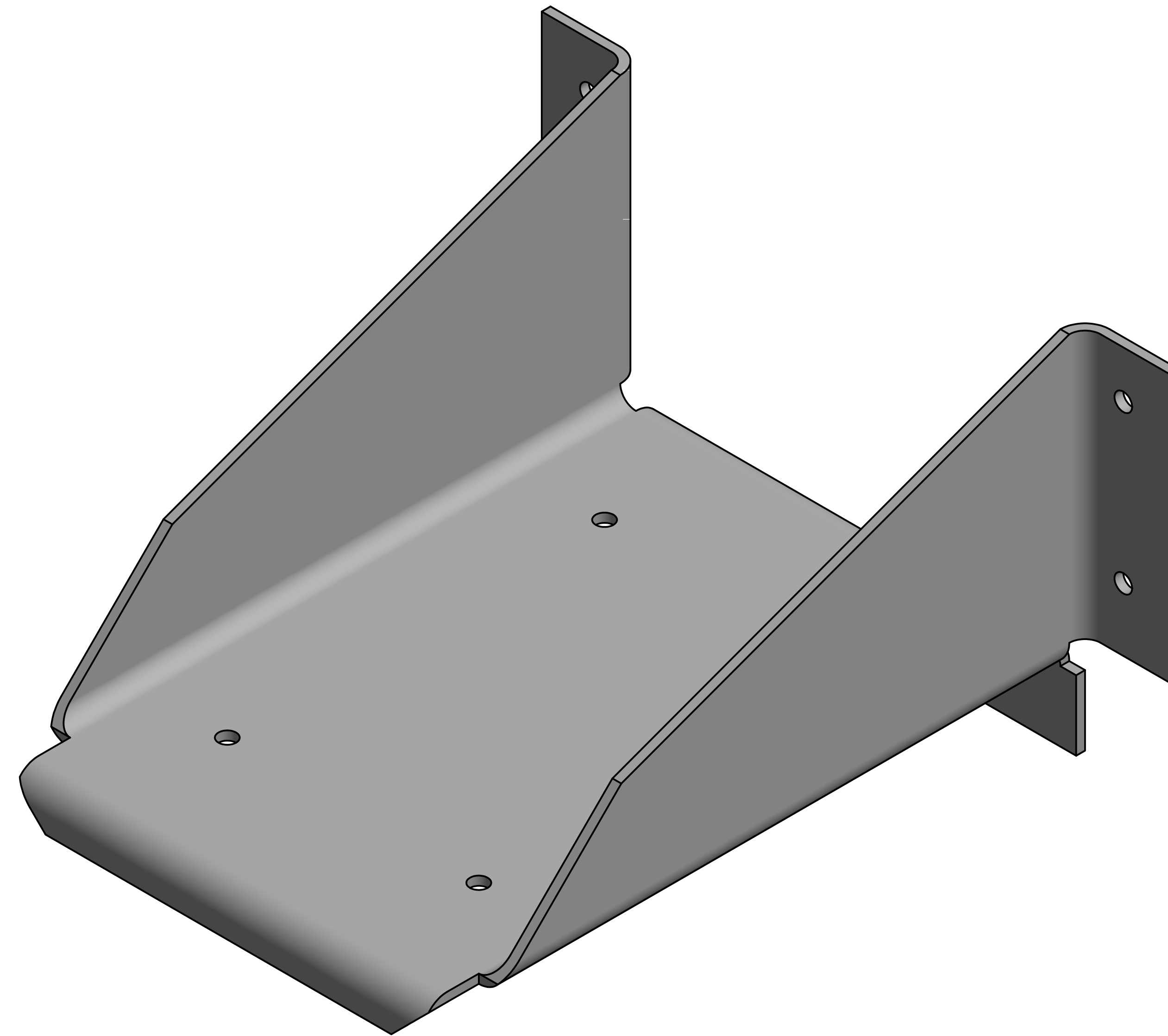
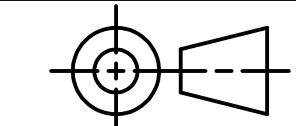


PARTS LIST			
ITEM	QTY	PART NUMBER	DESCRIPTION
1	1	MOTOR SUPPORT	10 GA (.141) USS STEEL



MOTOR MOUNT
SCALE 1 : 1

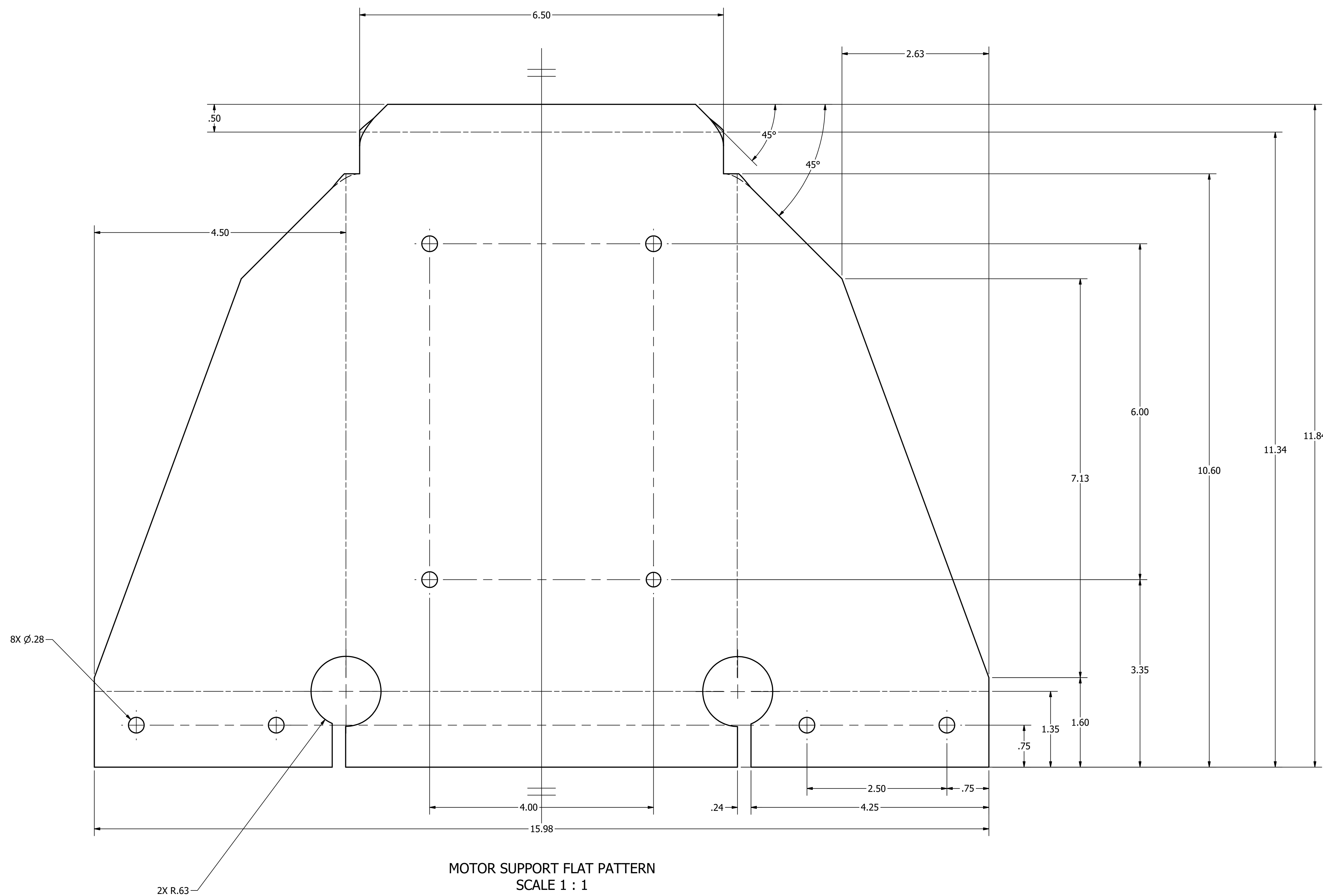
GENERAL NOTES:
INSIDE BEND RADIUS R.25



TOLERANCES UNLESS SPECIFIED:
DECIMAL INCHES:
X = ±.020
XX = ±.010
XXX = ±.005
FRACTIONAL: ±1/64"
ANGLES ±1 DEGREE
SURFACES $\sqrt{\quad}$

COURSE:	DDGT 120
INVENTOR DRAWING NAME:	MOTOR MOUNT
FIG #:	23-54
DRAFTER:	M. MCDONOUGH
DATE:	12/16/2019
SCALE:	AS NOTED
PAGE #:	1 OF 3

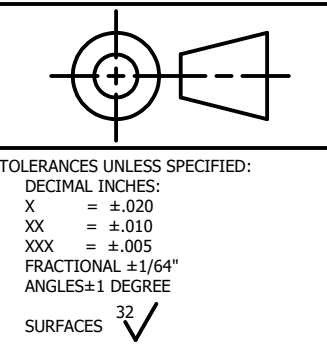
PARTS LIST			
ITEM	QTY	PART NUMBER	DESCRIPTION
1	1	MOTOR SUPPORT	10 GA (.141) USS STEEL



MOTOR SUPPORT FLAT PATTERN
SCALE 1 : 1

LEGEND:
 Ø DIAMETER
 R RADIUS
 ° DEGREES

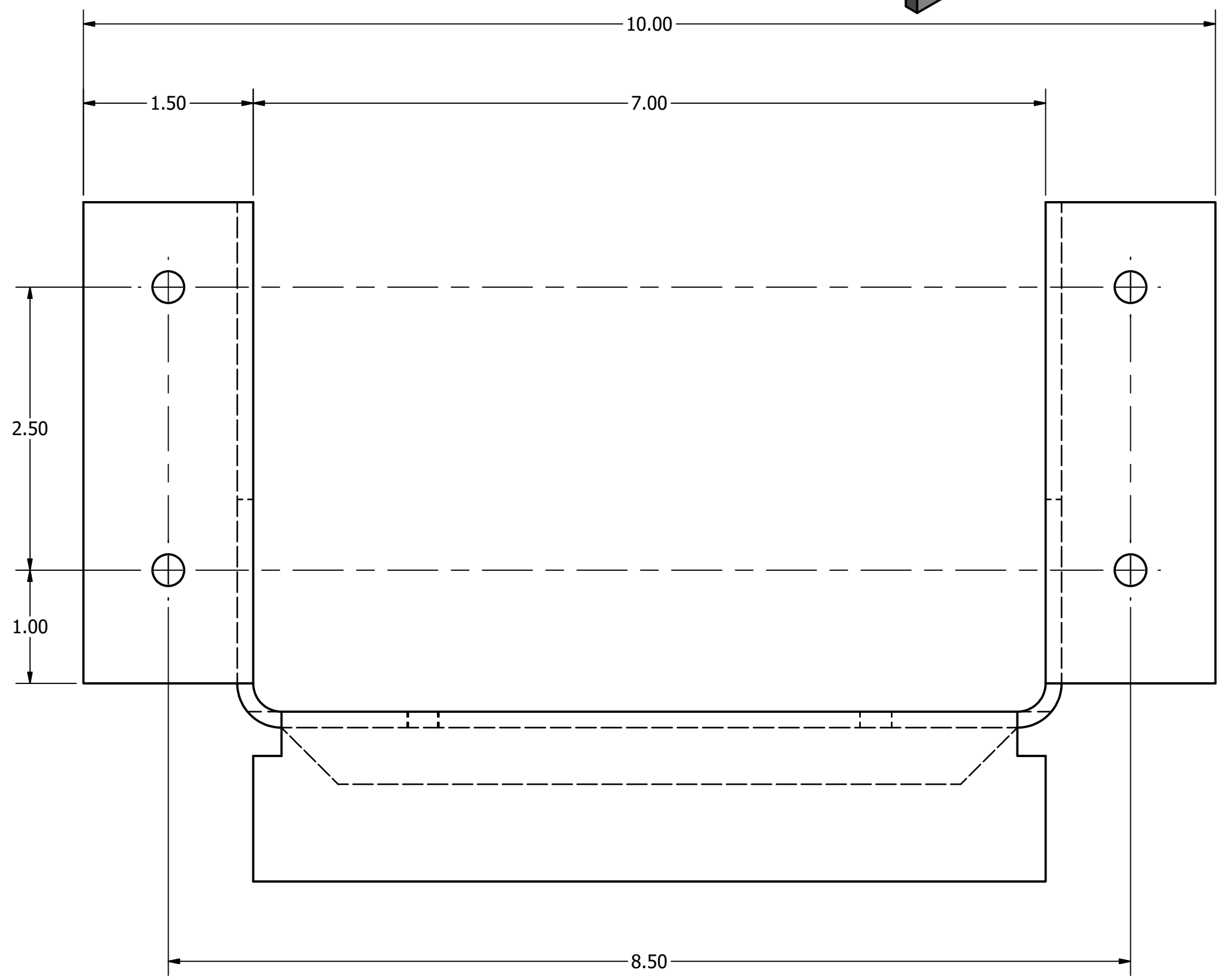
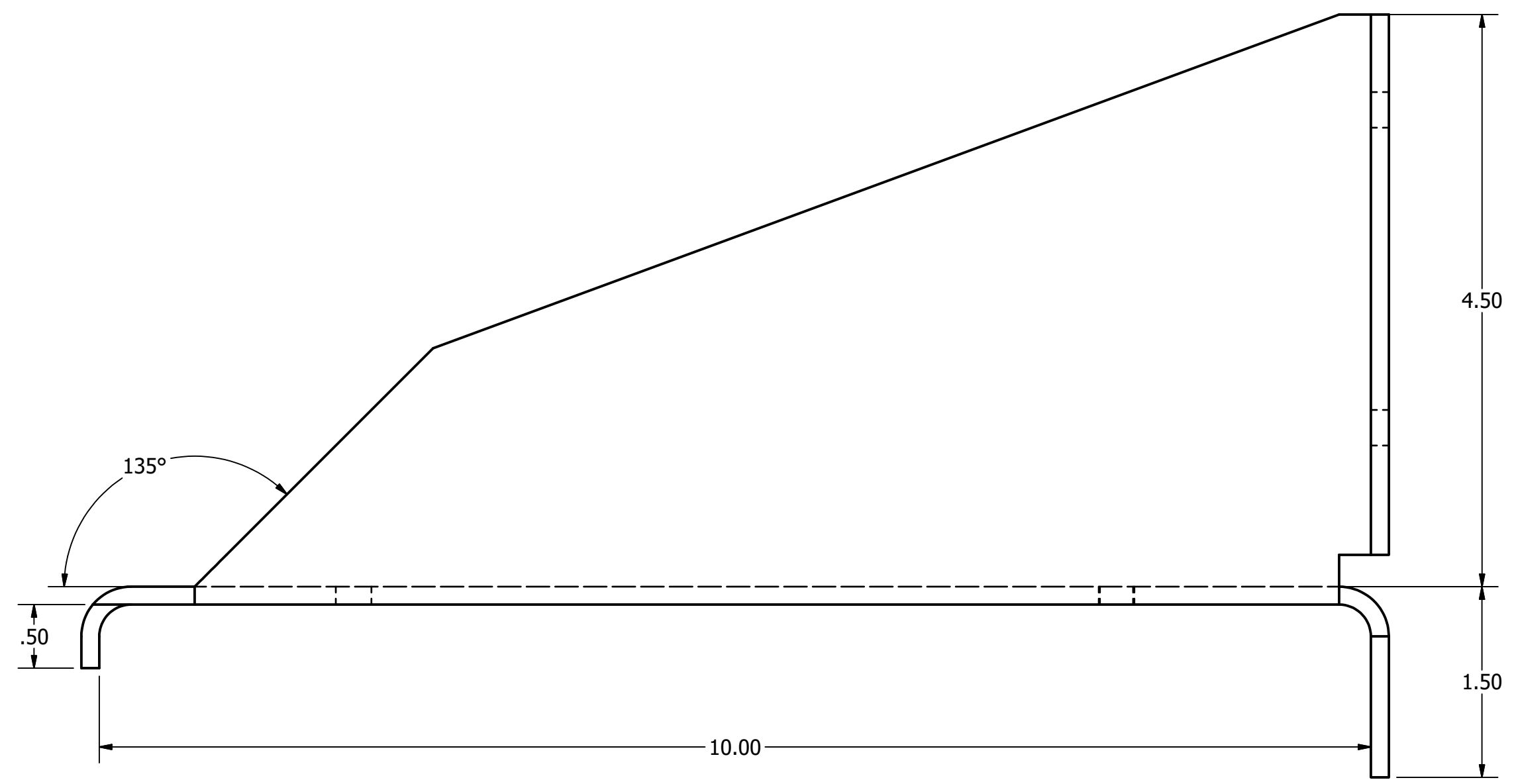
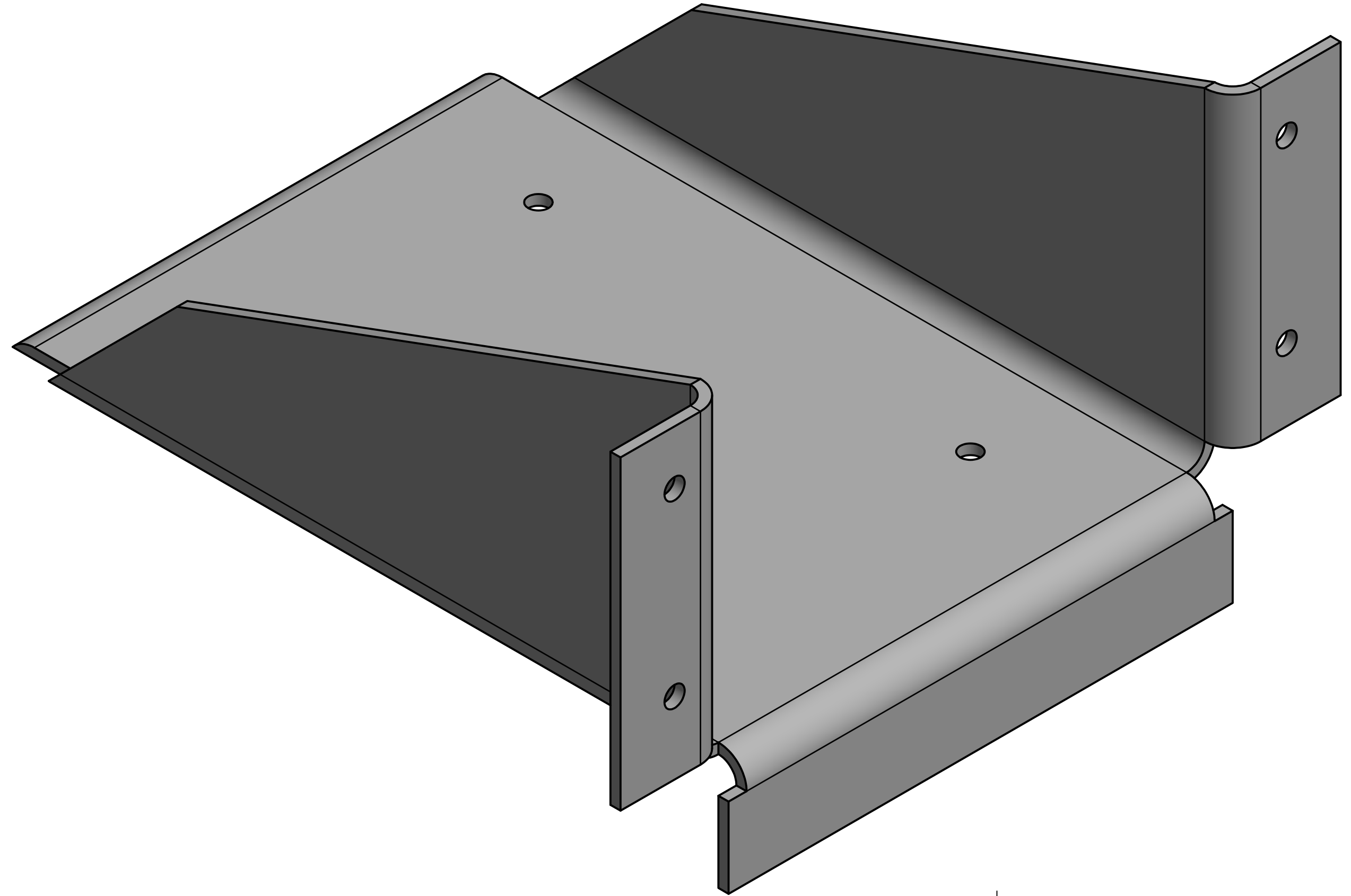
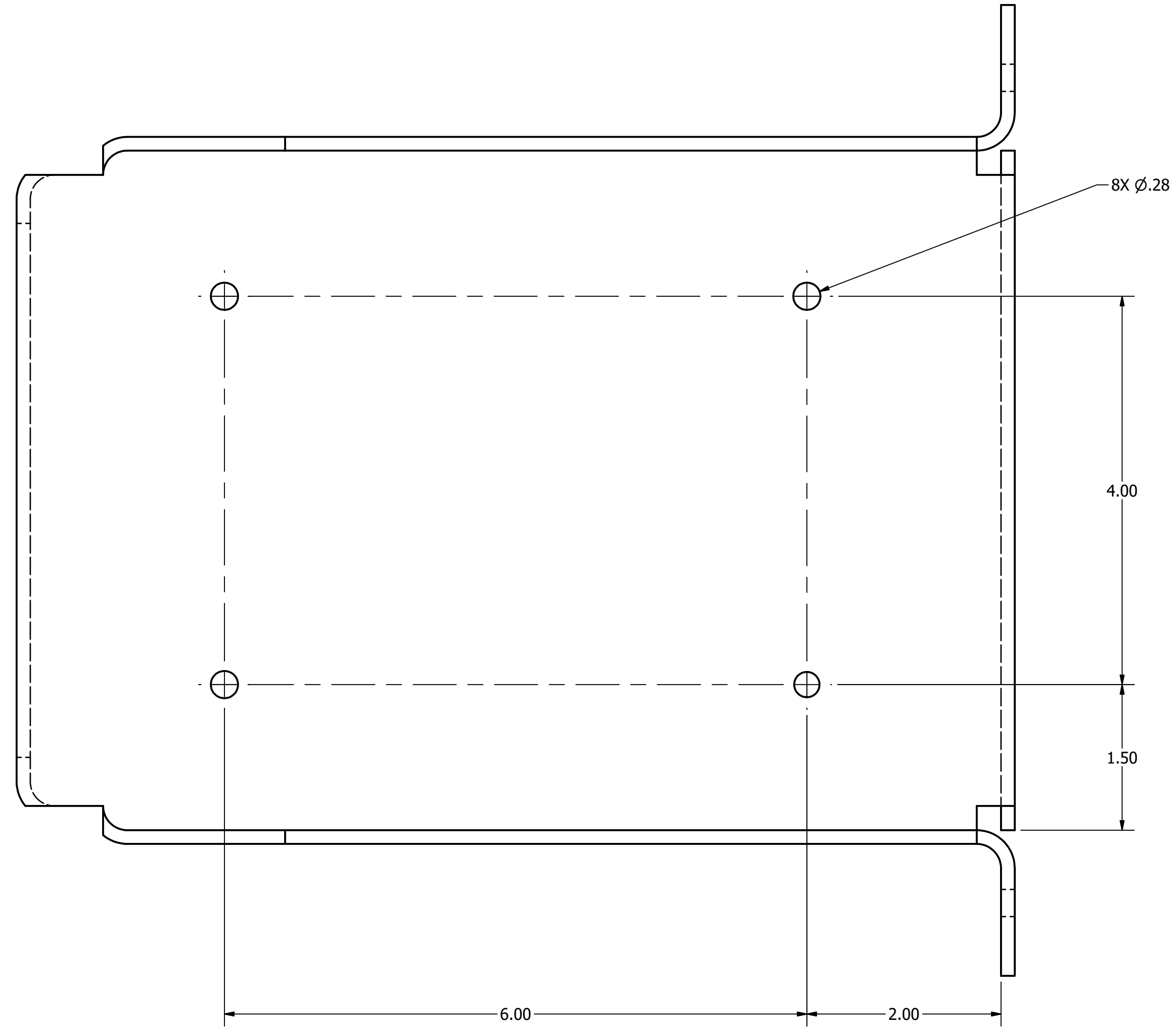
GENERAL NOTES:
 INSIDE BEND RADIUS R.25



TOLERANCES UNLESS SPECIFIED:
 DECIMAL INCHES:
 X = ±.020
 XX = ±.010
 XXX = ±.005
 FRACTIONAL: ±1/64"
 ANGLES: ±1 DEGREE
 SURFACES: ✓

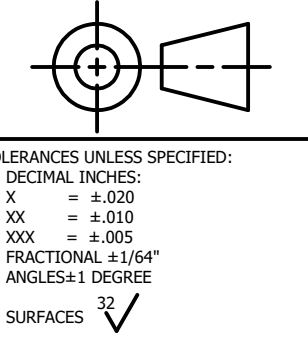
COURSE:	DDGT 120
INVENTOR DRAWING NAME:	MOTOR MOUNT
FIG #:	23-54
DRAFTER:	M. MCDONOUGH
DATE:	12/16/2019
SCALE:	AS NOTED
PAGE #:	2 OF 3

PARTS LIST			
ITEM	QTY	PART NUMBER	DESCRIPTION
1	1	MOTOR SUPPORT	10 GA (.141) USS STEEL



MOTOR MOUNT
SCALE 1 : 1

GENERAL NOTES:
INSIDE BEND RADIUS R.25



COURSE:	DDGT 120
INVENTOR DRAWING NAME:	MOTOR MOUNT
FIG #:	23-54
DRAFTER:	M. MCDONOUGH
DATE:	12/16/2019
SCALE:	AS NOTED
PAGE #:	3 OF 3