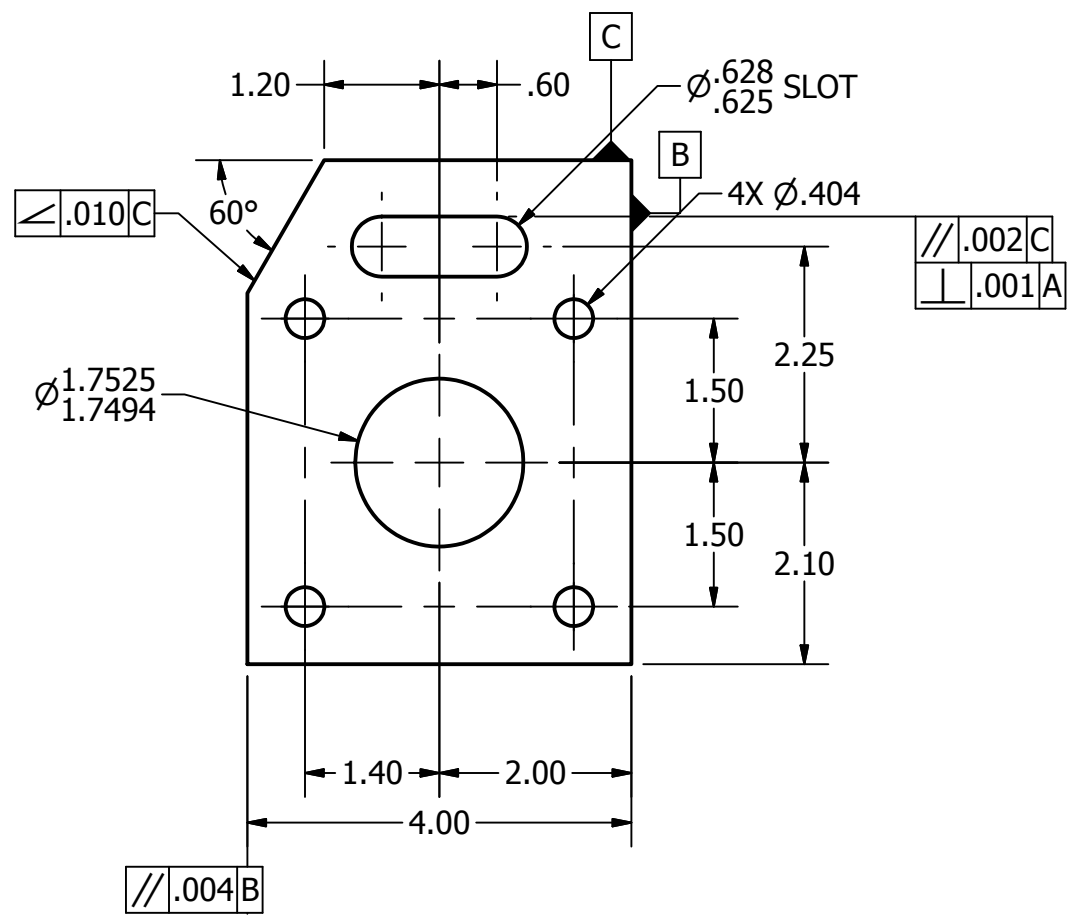
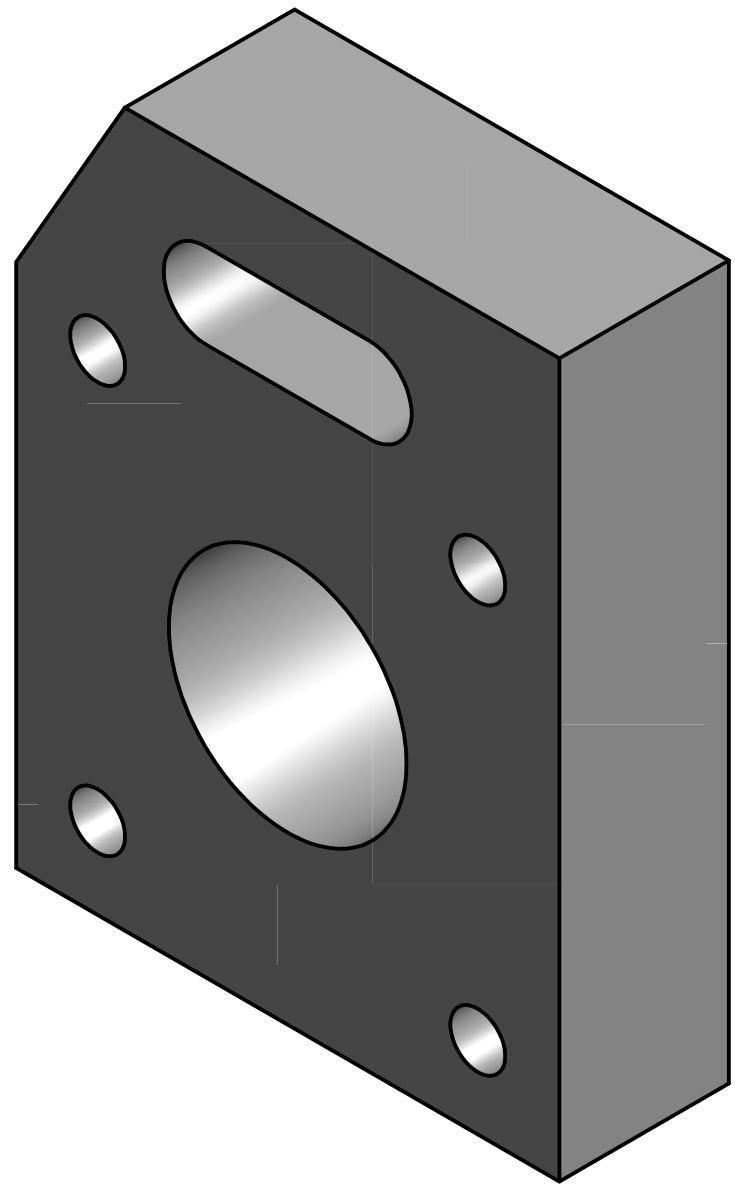
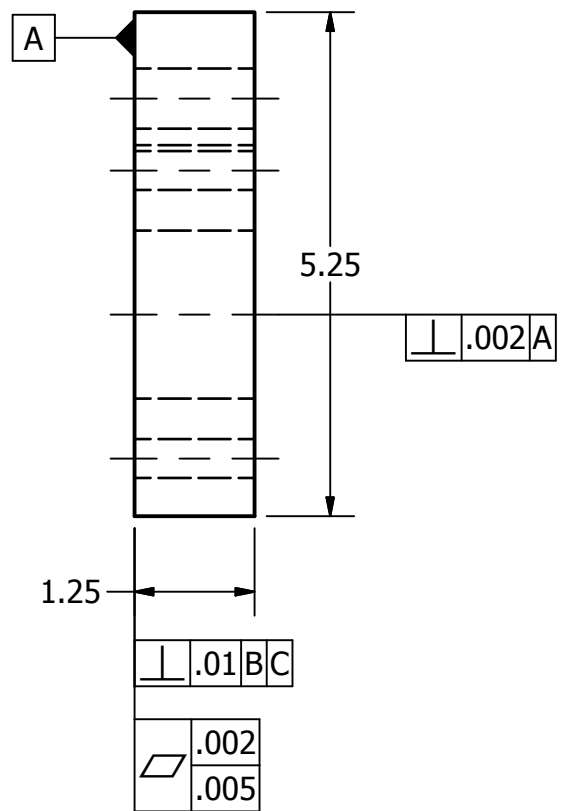


PARTS LIST			
ITEM	QTY	PART NUMBER	MATERIAL
1	1	SPACER	TYPICAL



SPACER
SCALE 1 / 2



SPACER
SCALE 1 : 1

ALL DATUMS AND TOLERANCES TO BE ON AN MMC BASICS UNLESS OTHERWISE SPECIFIED.

DIGITAL DESIGN GRAPHICS TECHNOLOGY	NAME	mquevedo	DWG NAME:	16-221 SPACER	SHEET#:	1 OF 1
	COURSE:	DDGT 120	SCALE:	AS NOTED		
	DATE:	5/3/2012				