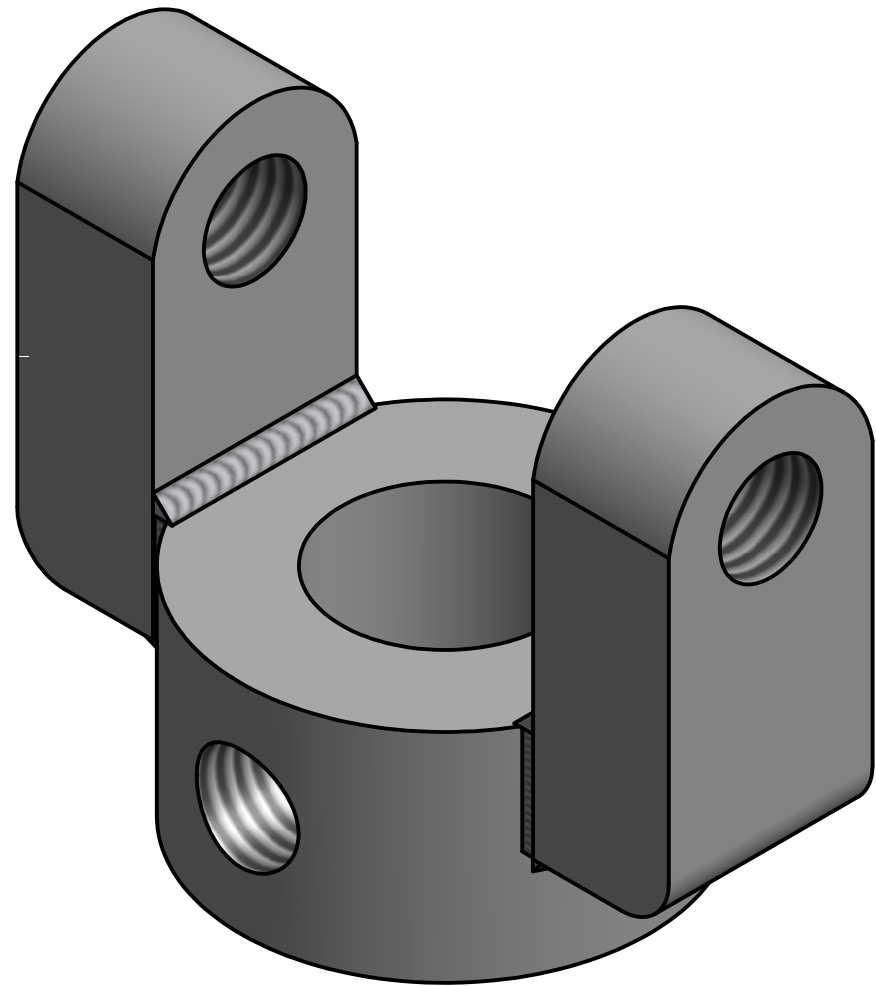
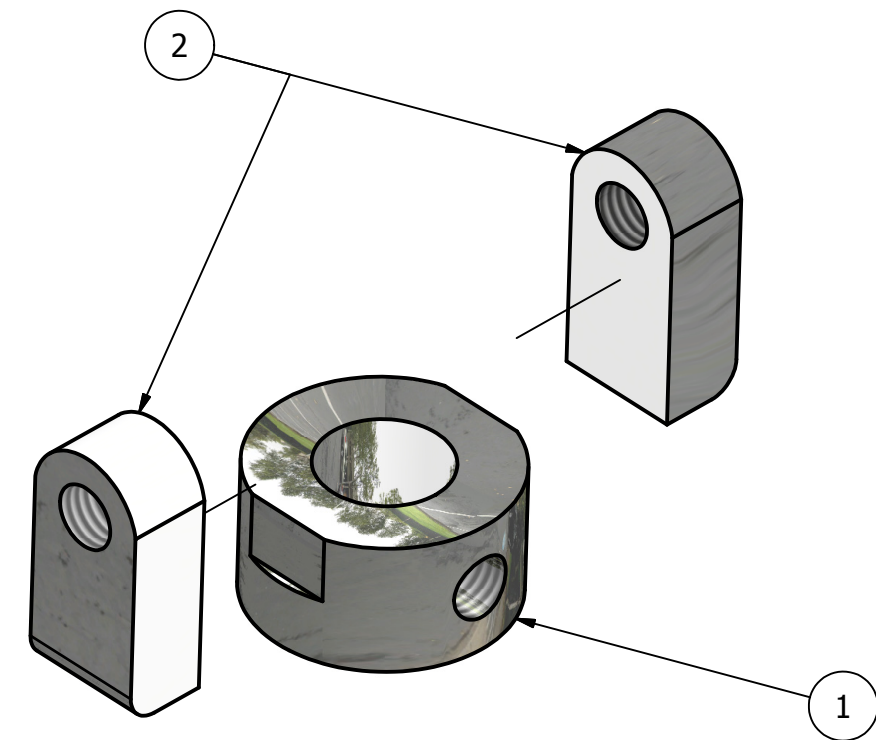


| PARTS LIST | | | |
|------------|-----|----------------|----------|
| ITEM | QTY | PART NUMBER | MATERIAL |
| 1 | 1 | PIVOT ARM BASE | TYPICAL |
| 2 | 2 | SIDE PIVOT ARM | TYPICAL |



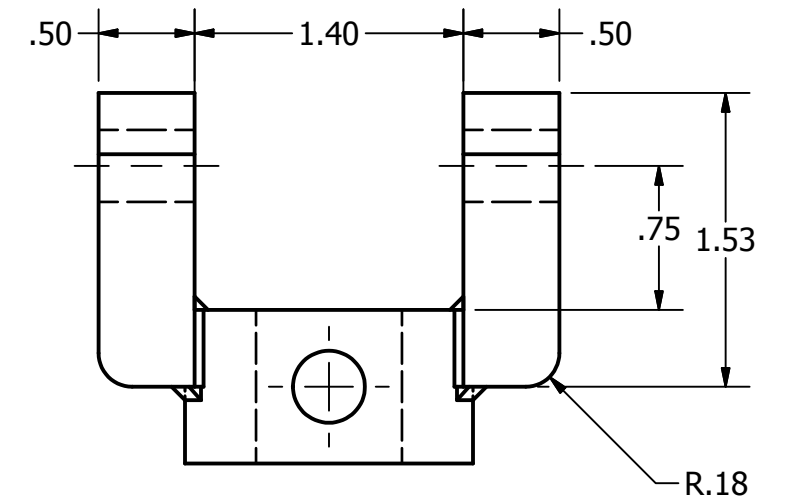
PIVOT ARM WELD ASSEMBLY
SCALE 2 : 1



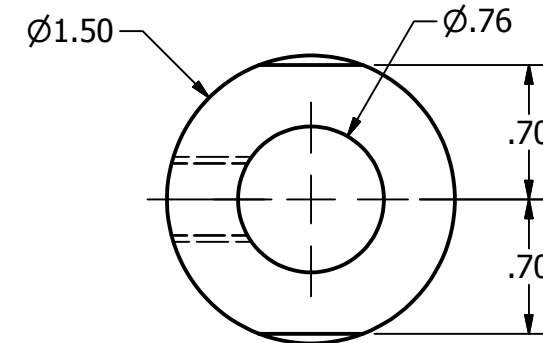
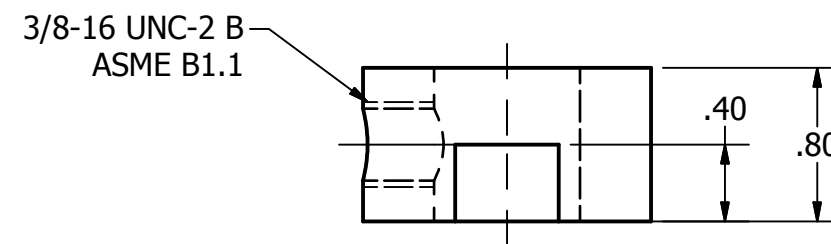
PIVOT ARM EXPLODE VIEW
SCALE 1 : 1

| | | | | | |
|--|---------|-----------|-----------|-----------|-------------------|
| DIGITAL DESIGN GRAPHICS TECHNOLOGY | NAME | MQUEVEDO | DWG NAME: | 18-39 | SHEET#: 1 OF 2 |
| | COURSE: | DDGT 120 | | PIVOT ARM | |
| | DATE: | 5/10/2012 | SCALE: | AS NOTED | |

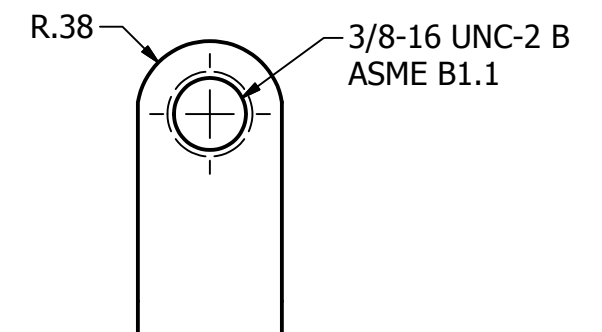
| PARTS LIST | | |
|------------|-----|----------------|
| ITEM | QTY | PART NUMBER |
| 1 | 1 | PIVOT ARM BASE |
| 2 | 2 | SIDE PIVOT ARM |



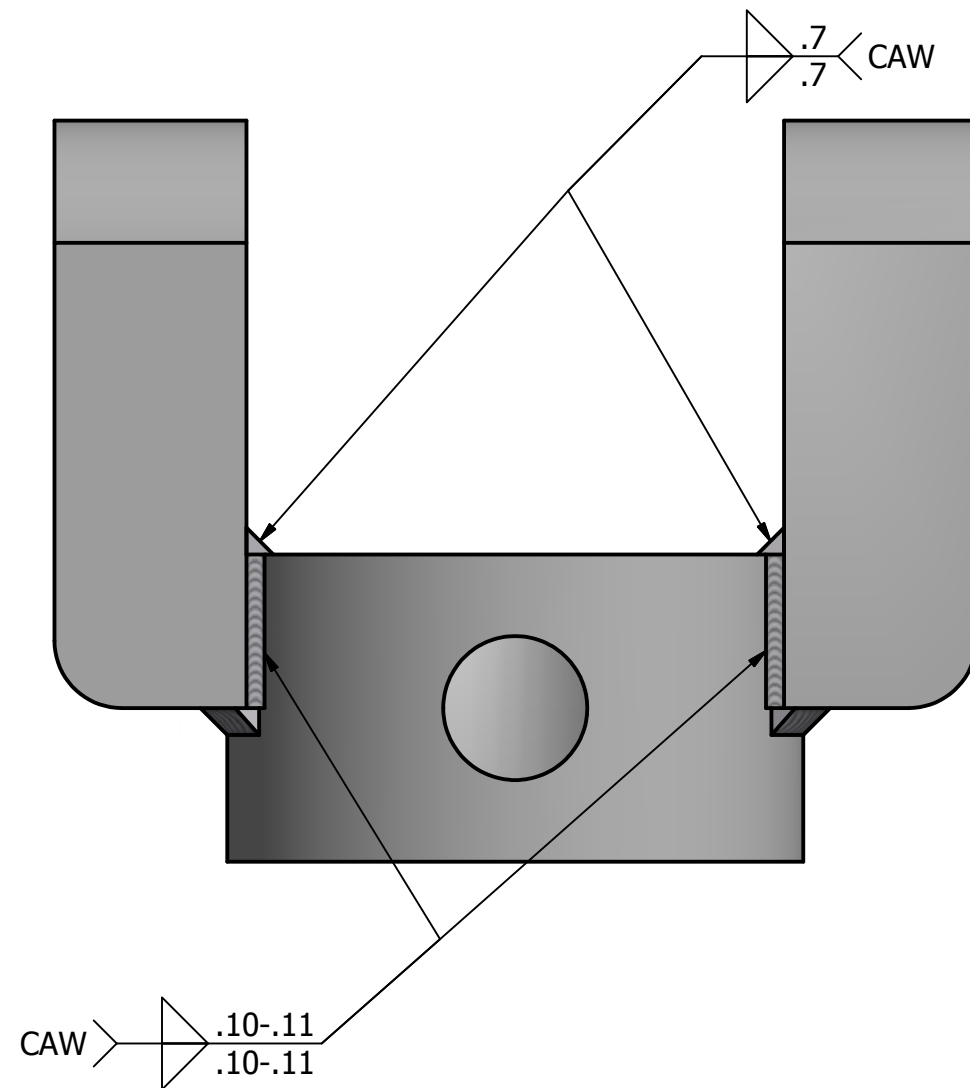
PIVOT ARM WELD ASSEMBLY
SCALE 1 : 1



PIVOT ARM BASE
SCALE 1 : 1



SIDE PIVOT ARM
SCALE 1 : 1



PIVOT ARM WELD ASSEMBLY
SCALE 2 : 1

| | | | | | |
|--|---------|-----------|-----------|-----------|-------------------|
| DIGITAL DESIGN GRAPHICS TECHNOLOGY | NAME | MQUEVEDO | DWG NAME: | 18-39 | SHEET#: 2 OF 2 |
| | COURSE: | DDGT 120 | | PIVOT ARM | |
| | DATE: | 5/10/2012 | SCALE: | AS NOTED | |