

# PARTS LIST

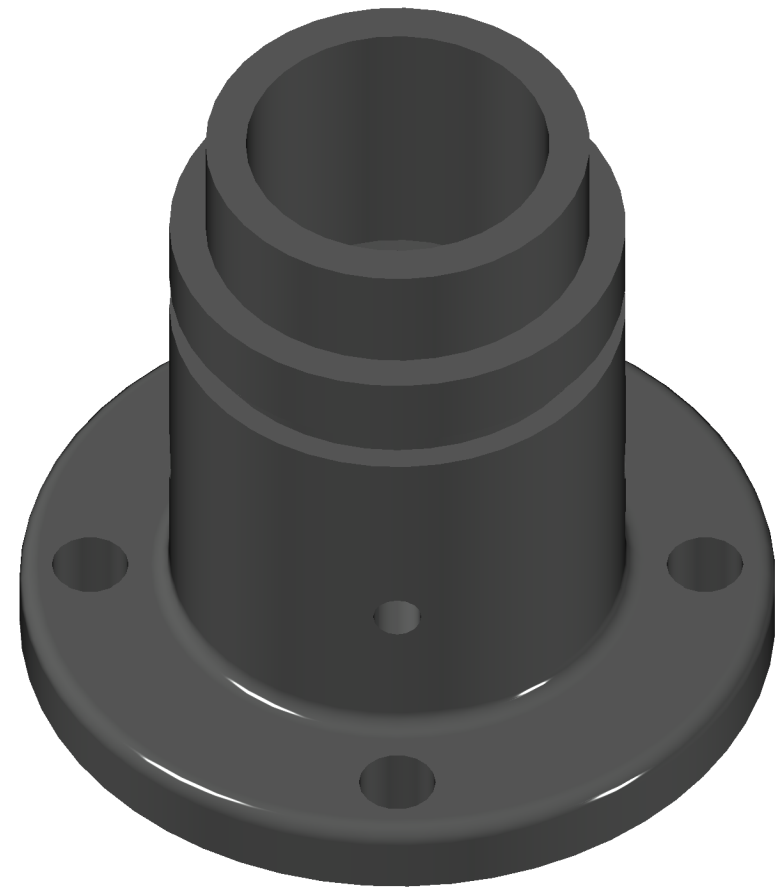
ITEM	QTY.	PART NAME	MATERIAL
1	1	CONNECTOR	SAE1110



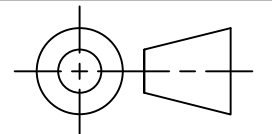
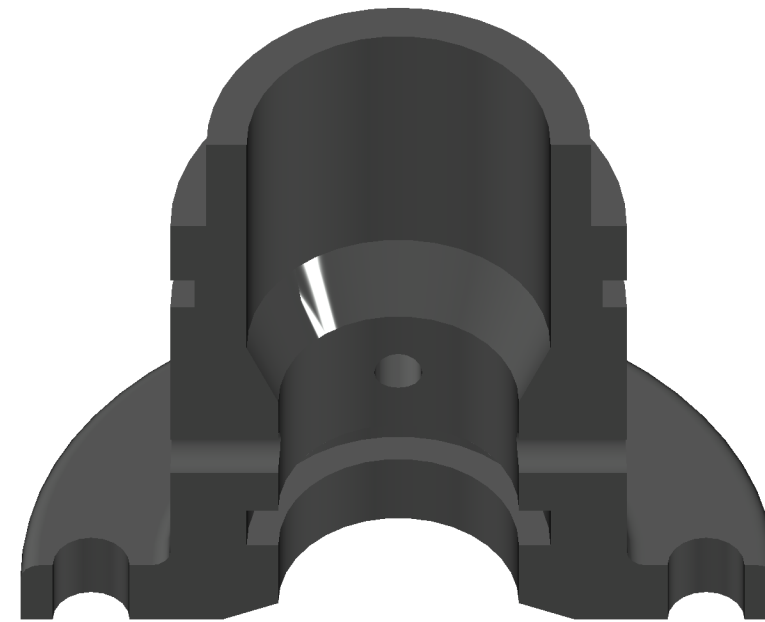
DIGITAL DESIGN  
GRAPHICS  
TECHNOLOGY

WWW.DDGT.NET

SCALE 1:1



SCALE 1:1



TOLERANCES UNLESS SPECIFIED:  
DECIMAL INCHES:  
X = ±.020  
XX = ±.010  
XXX = ±.005  
FRACTIONAL ±1/64"  
ANGLES ±1 DEGREE  
SURFACES 32/

CLASS: DDGT121

ASSIGNMENT #: 33

AUTOCAD DRAWING NAME:  
CONNECTOR

FIG #: 13-48

MANAGER: G. STROMEN

DRAFTER: N. CABADING

DATE: 5/14/2024

SCALE: AS NOTED

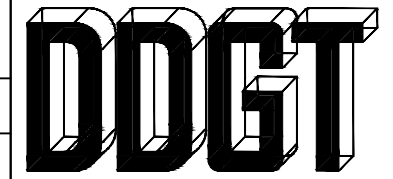
PAGE #: 1 OF 3

## LEGEND

- ∅ DIAMETER
- R RADIUS
- ° DEGREES
- SPOTFACE/COUNTERBORE
- ∨ COUNTERSINK
- ∇ DEPTH
- CUBED

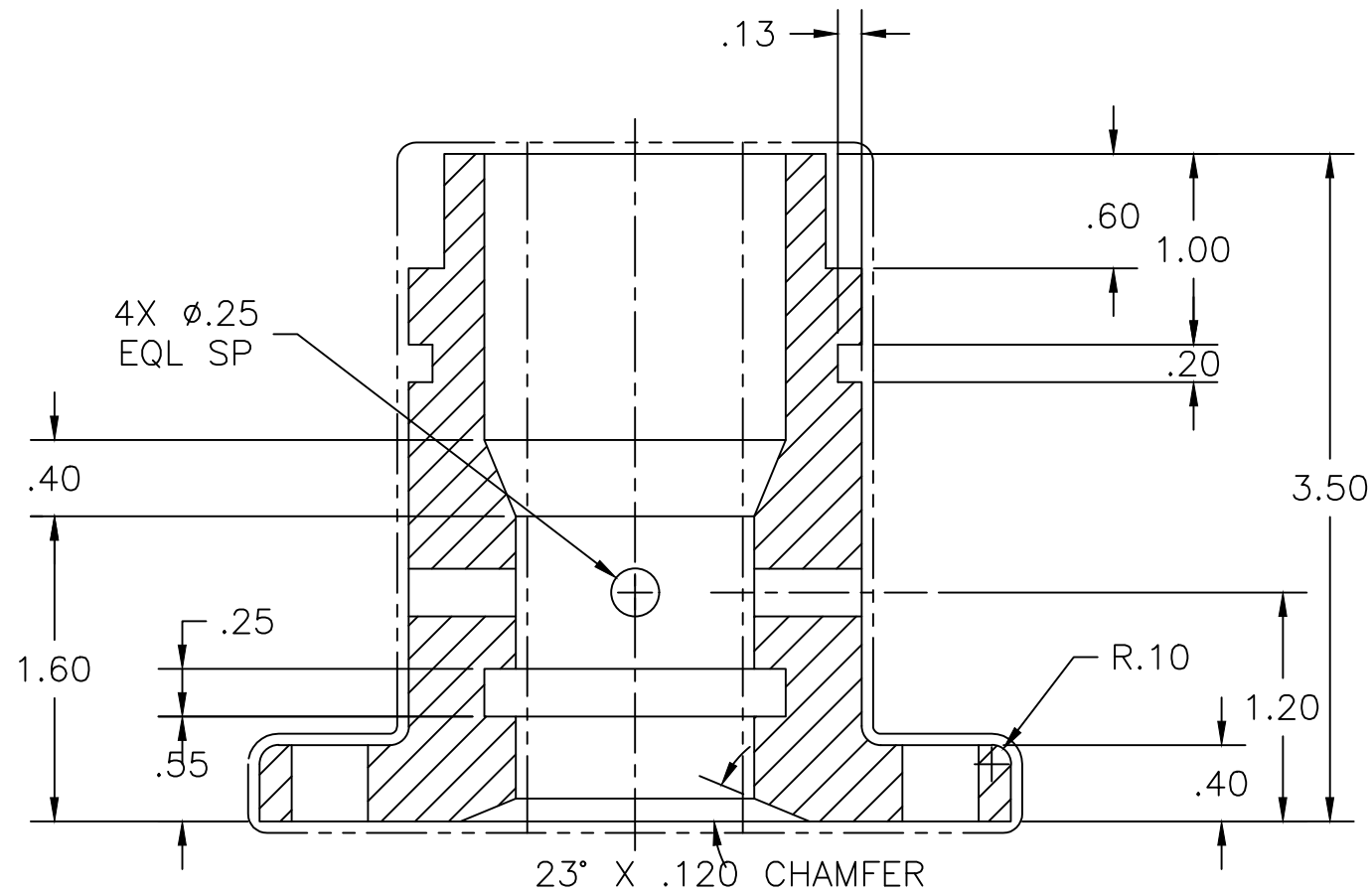
# PARTS LIST

ITEM	QTY.	PART NAME	MATERIAL
1	1	CONNECTOR	SAE1110



DIGITAL DESIGN  
GRAPHICS  
TECHNOLOGY

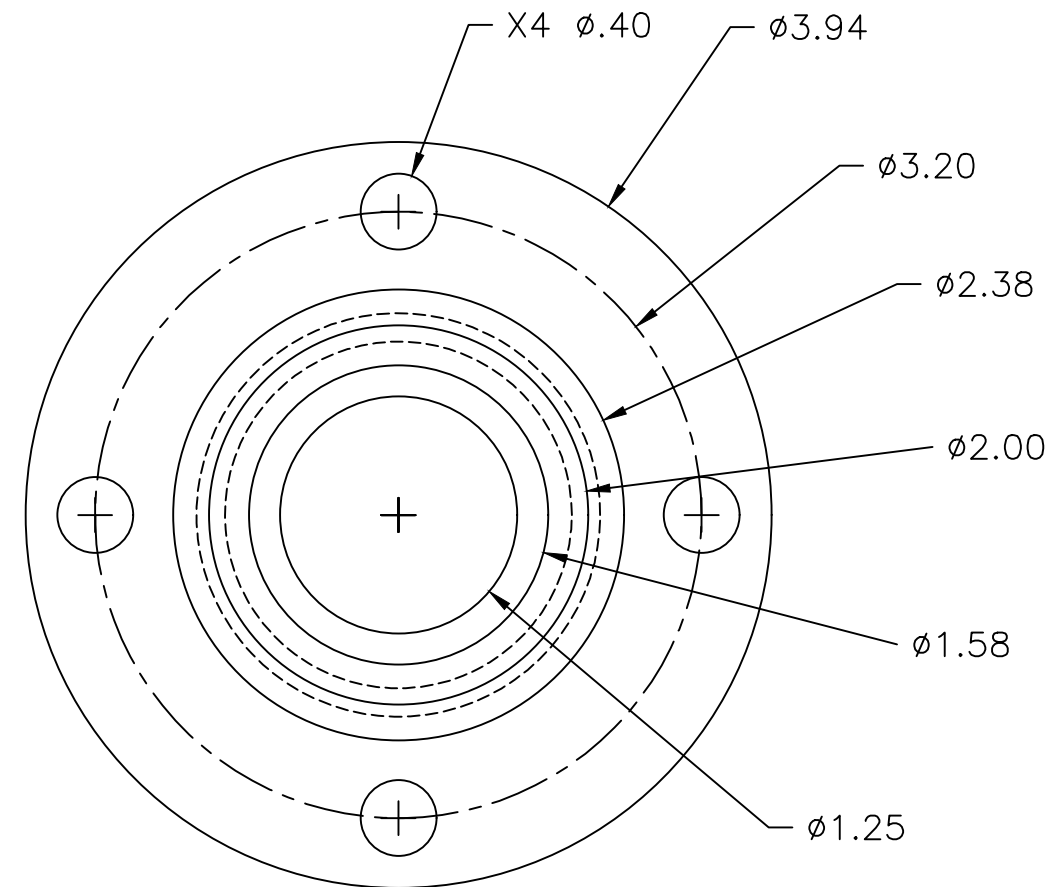
WWW.DDGT.NET



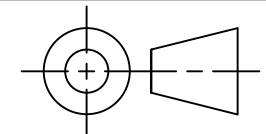
FRONT VIEW 1:1

## LEGEND

- ∅ DIAMETER
- R RADIUS
- ° DEGREES
- SPOTFACE/COUNTERBORE
- ∇ COUNTERSINK
- ∇ DEPTH
- CUBED



TOP VIEW 1:1



TOLERANCES UNLESS SPECIFIED:  
DECIMAL INCHES:  
X = ±.020  
XX = ±.010  
XXX = ±.005  
FRACTIONAL ±1/64"  
ANGLES ±1 DEGREE  
SURFACES 32/

CLASS: DDGT121

ASSIGNMENT #: 33

AUTOCAD DRAWING NAME:  
CONNECTOR

FIG #: 13-48

MANAGER: G. STROMEN

DRAFTER: N. CABADING

DATE: 5/14/2024

SCALE: AS NOTED

PAGE #: 2 OF 3

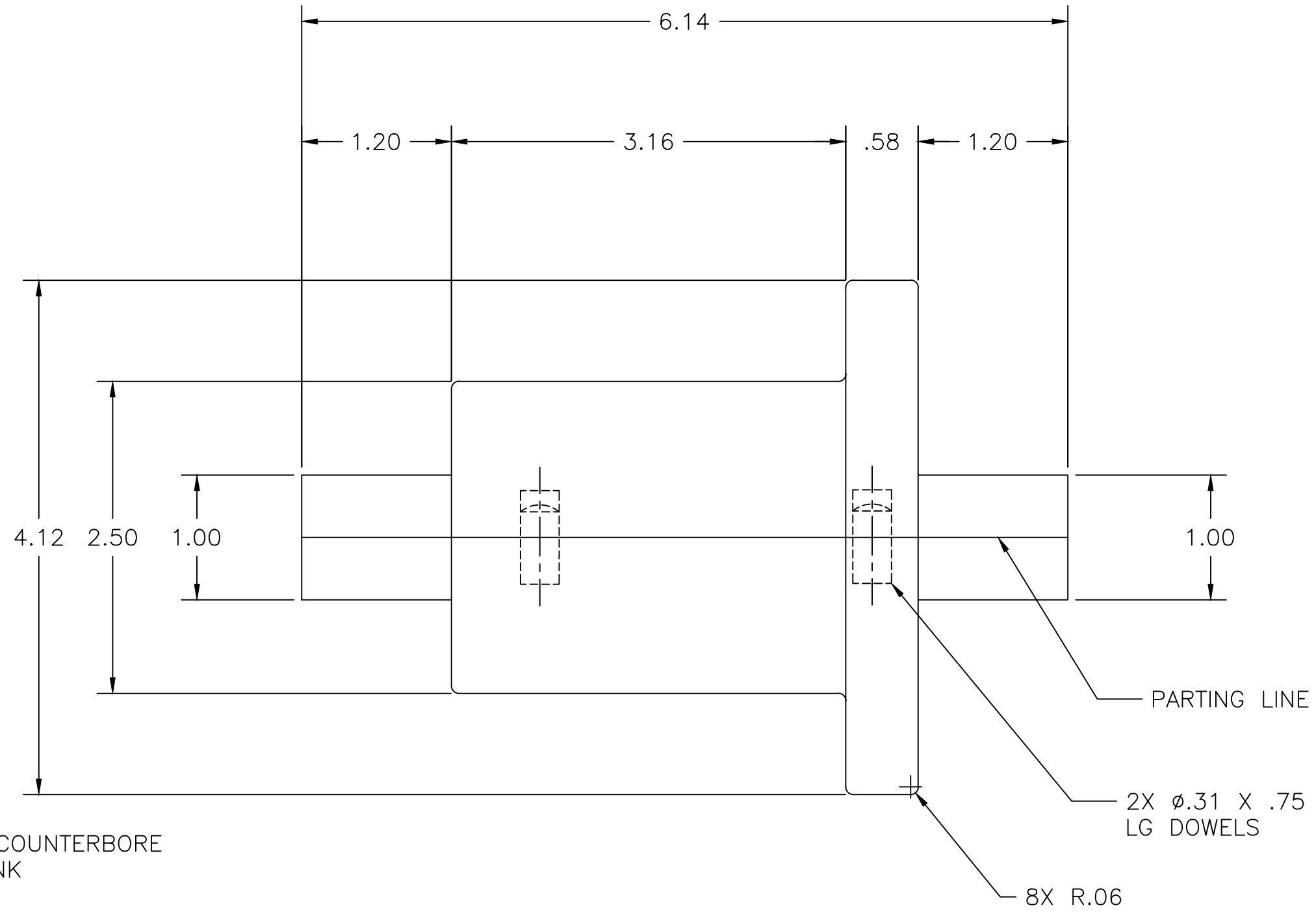
# PARTS LIST

ITEM	QTY.	PART NAME	MATERIAL
1	1	CASTER	SAE1110



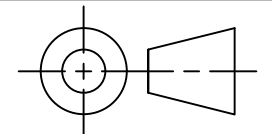
DIGITAL DESIGN  
GRAPHICS  
TECHNOLOGY

WWW.DDGT.NET



## LEGEND

- $\phi$  DIAMETER
- R RADIUS
- $^{\circ}$  DEGREES
- $\square$  SPOTFACE/COUNTERBORE
- $\nabla$  COUNTERSINK
- $\nabla$  DEPTH
- $\square$  CUBED



TOLERANCES UNLESS SPECIFIED:  
MILLIMETERS =  $\pm$ .5:  
X =  $\pm$ .25  
XX =  $\pm$ .12  
  
FRACTIONAL  $\pm$ 1/64"  
ANGLES  $\pm$ 1 DEGREE  
SURFACES 32/

CLASS: DDGT121

ASSIGNMENT #: 33

AUTOCAD DRAWING NAME:  
CONNECTOR

FIG #: 13-48

MANAGER: G. STROMEN

DRAFTER: N. CABADING

DATE: 5/14/2024

SCALE: AS NOTED

PAGE #: 3 OF 3