

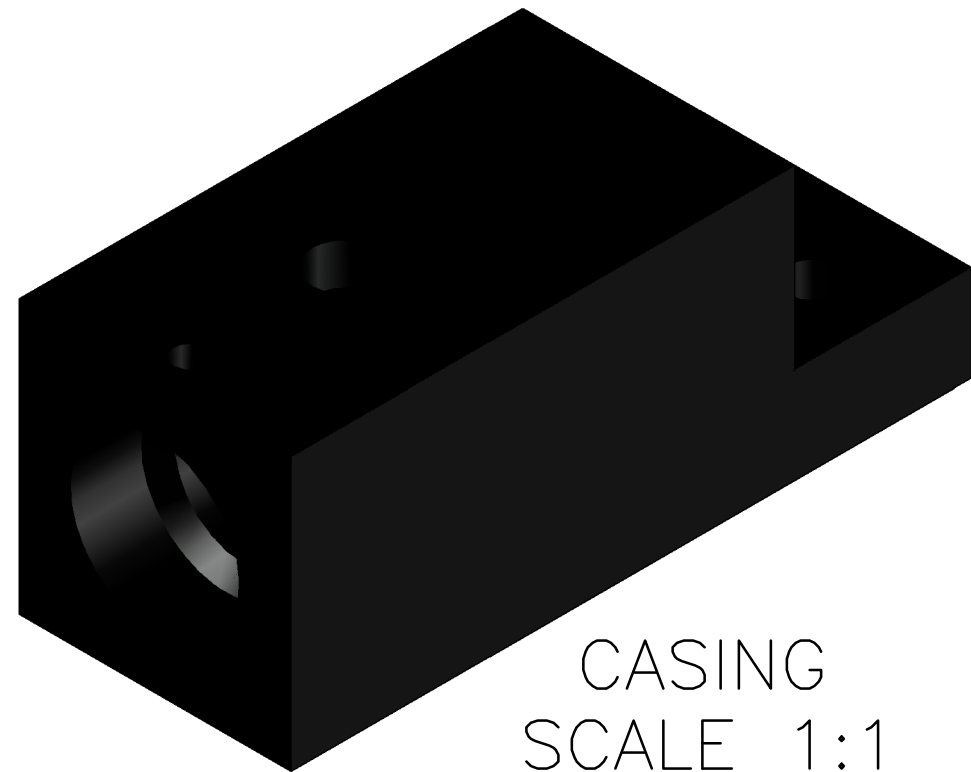
# PARTS LIST

ITEM	QTY	PART NAME	MATERIAL
1	1	CASING	SAE 1012

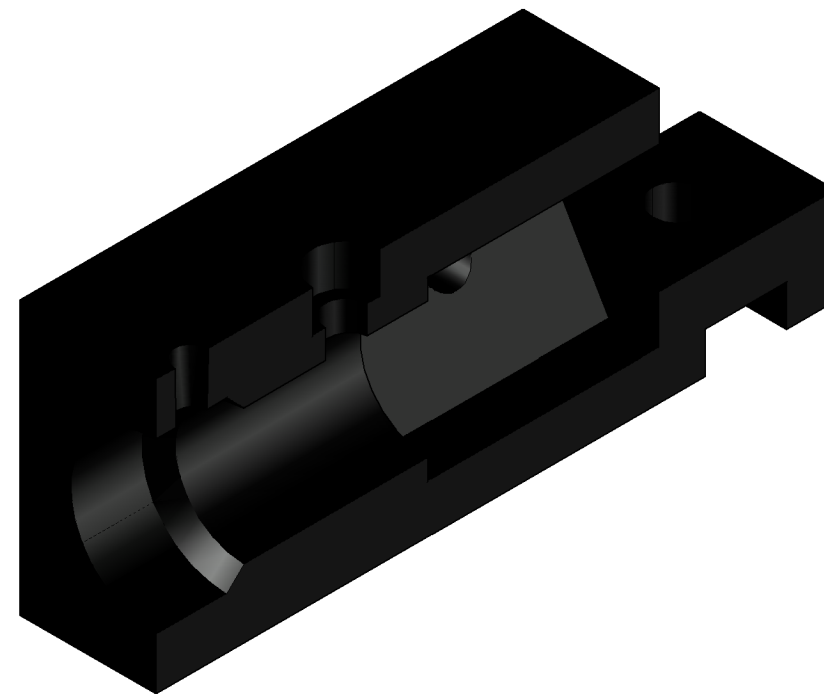


DIGITAL DESIGN  
GRAPHICS  
TECHNOLOGY

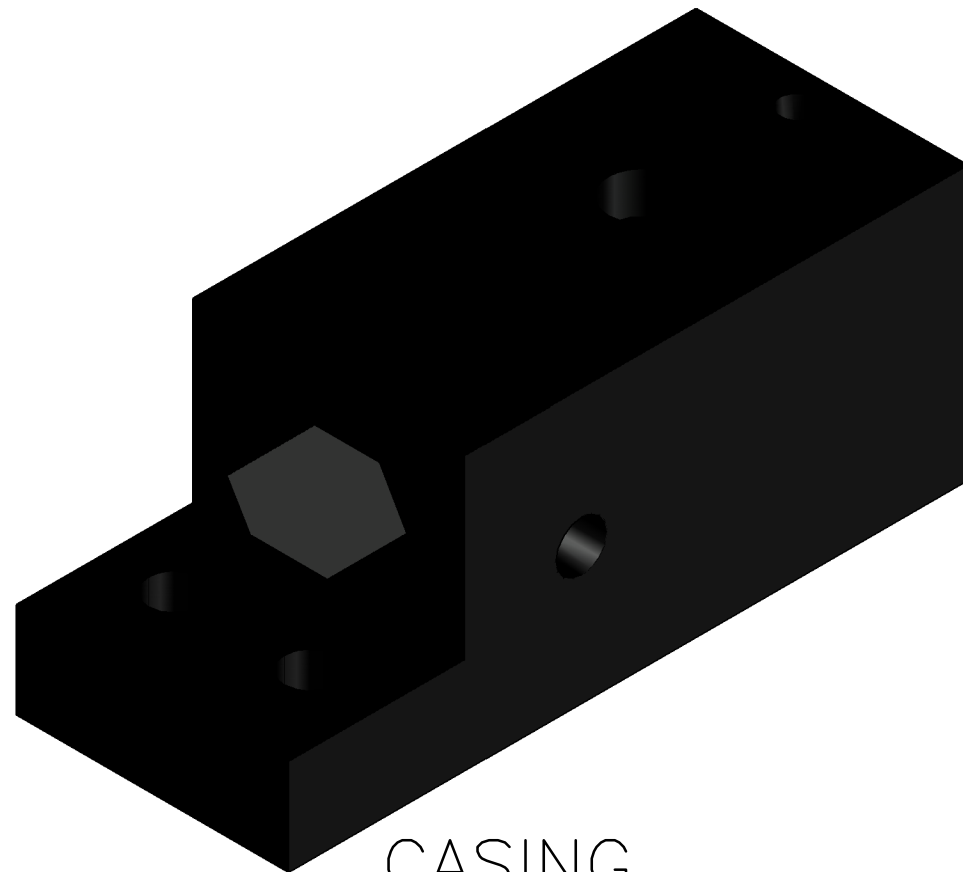
WWW.DDGT.NET



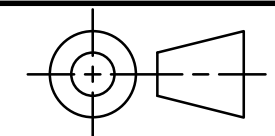
CASING  
SCALE 1:1



CASING SECTION  
SCALE 1:1



CASING  
SCALE 1:1



TOLERANCES UNLESS SPECIFIED:  
DECIMAL INCHES:  
X = ±.020  
XX = ±.010  
XXX = ±.005  
FRACTIONAL ±1/64"  
ANGLES ±1 DEGREE  
SURFACES 32/

CLASS: DDGT 120

ASSIGNMENT NO: 64

AUTOCAD DRAWING NAME:  
CASING

FIG NO: 9-39

MANAGER: G. STROMMEN

DRAFTER: N. HENDERSON

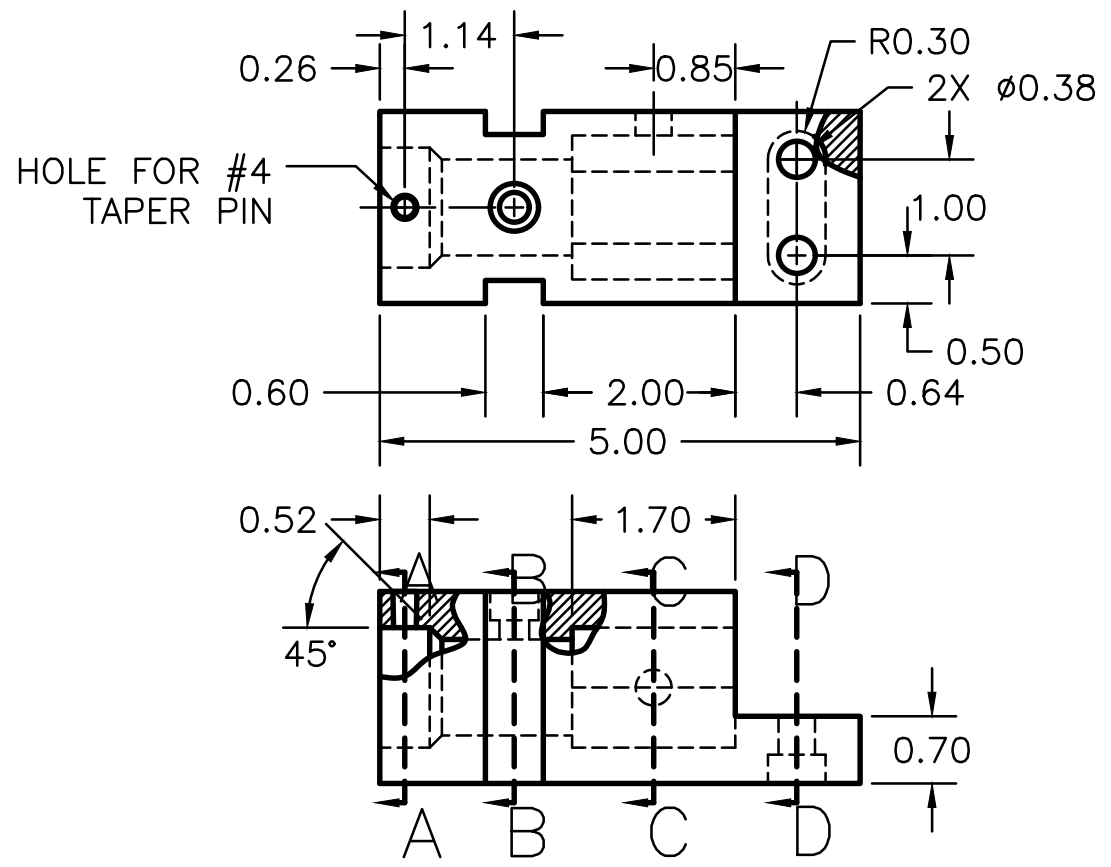
DATE: 11/30/2023

SCALE: AS NOTED

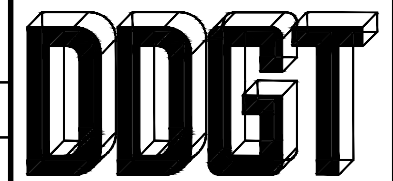
PAGE NO: X OF 2

## LEGEND

- ∅ DIAMETER
- R RADIUS
- DEGREES
- ⌊ SPOTFACE/COUNTERBORE
- ✓ COUNTERSINK

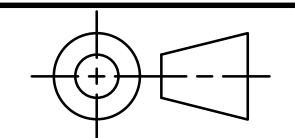


PARTS LIST			
ITEM	QTY	PART NAME	MATERIAL
1	1	CASING	SAE 1012

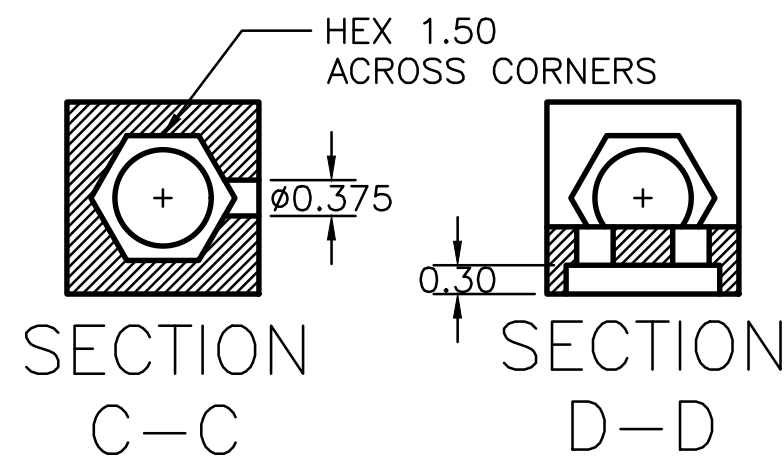
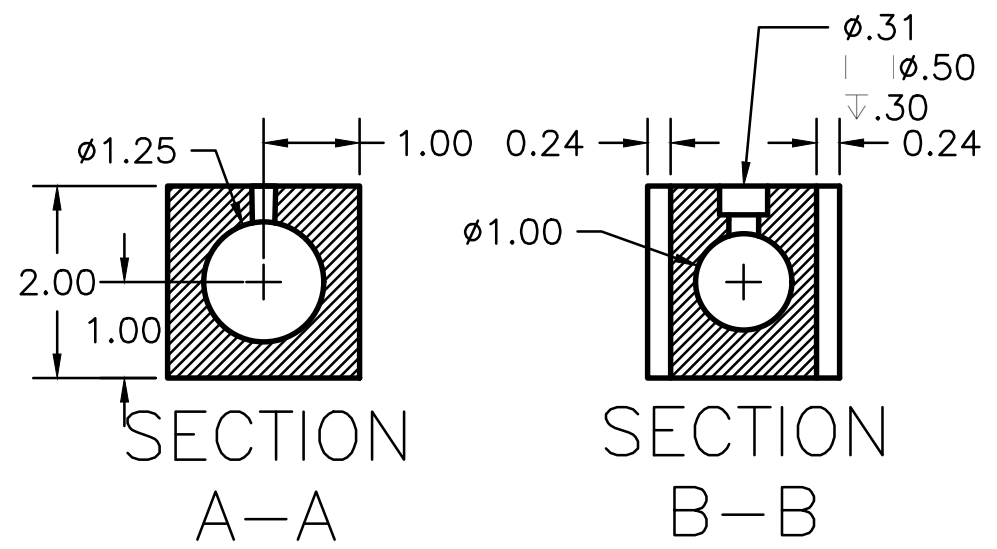


DIGITAL DESIGN  
GRAPHICS  
TECHNOLOGY

WWW.DDGT.NET



TOLERANCES UNLESS SPECIFIED:  
DECIMAL INCHES:  
X = ±.020  
XX = ±.010  
XX = ±.005  
FRACTIONAL ±1/64"  
ANGLES ±1 DEGREE  
SURFACES 32



LEGEND

- ∅ DIAMETER
- R RADIUS
- ° DEGREES
- SPOTFACE/COUNTERBORE
- ✓ COUNTERSINK

CLASS: DDGT 120

ASSIGNMENT NO: 64

AUTOCAD DRAWING NAME:  
CASING

FIG NO: 9-39

MANAGER: G. STROMMEN

DRAFTER: N. HENDERSON

DATE: 11/30/2023

SCALE: AS NOTED

PAGE NO: X OF 2