

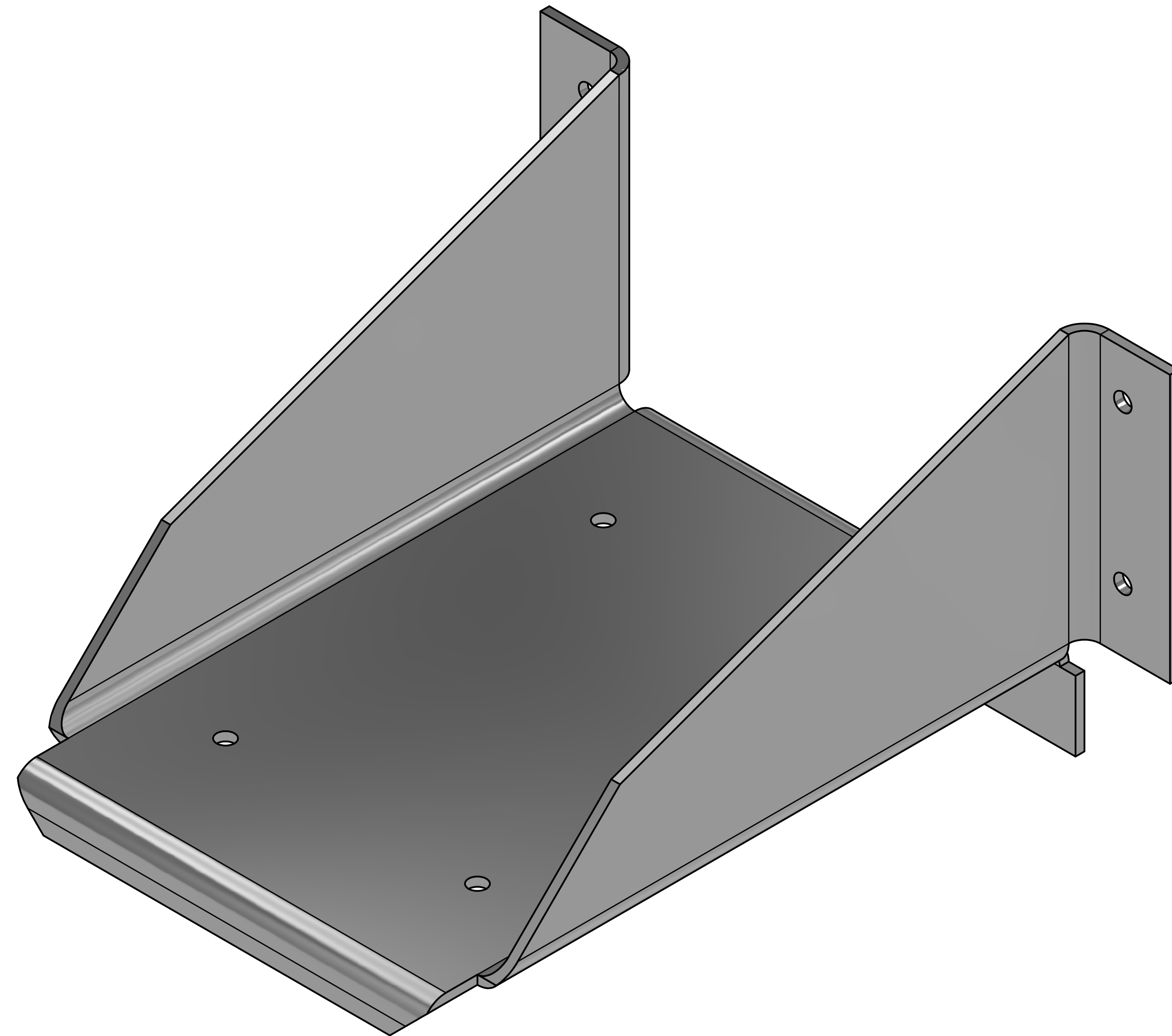
PARTS LIST			
ITEM	QTY	PART NUMBER	DESCRIPTION
1	1	MOTOR SUPPORT	10 GA (.141) USS STEEL



DIGITAL DESIGN  
GRAPHICS  
TECHNOLOGY

WWW.DDGT.NET

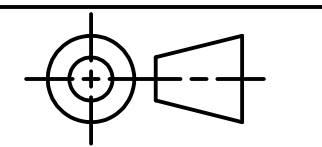
GENERAL NOTES:  
INSIDE BEND R RADIUS  
.25



MOTOR MOUNT  
SCALE 1 : 1

**GENERAL NOTES:**  
INSIDE BEND R RADIUS .25

**LEGEND:**  
∅ DIAMETER  
R RADIUS  
° DEGREES



TOLERANCES UNLESS SPECIFIED:  
DECIMAL INCHES:  
X = ±.020  
XX = ±.010  
XXX = ±.005  
FRACTIONAL = 1/64"  
ANGLES ±1 DEGREE

SURFACES  $\sqrt{V}$

CLASS: DDGT 120

ASSIGNMENT #: 69

INVENTOR DRAWING NAME:  
MOTOR MOUNT

FIG #: 23-54

MANAGER: G. STROMEN

DRAFTER: N. HENDERSON

DATE: 11/22/2023

SCALE: AS NOTED

PAGE #: 1 OF 3

**GENERAL NOTES:**  
INSIDE BEND R RADIUS .25

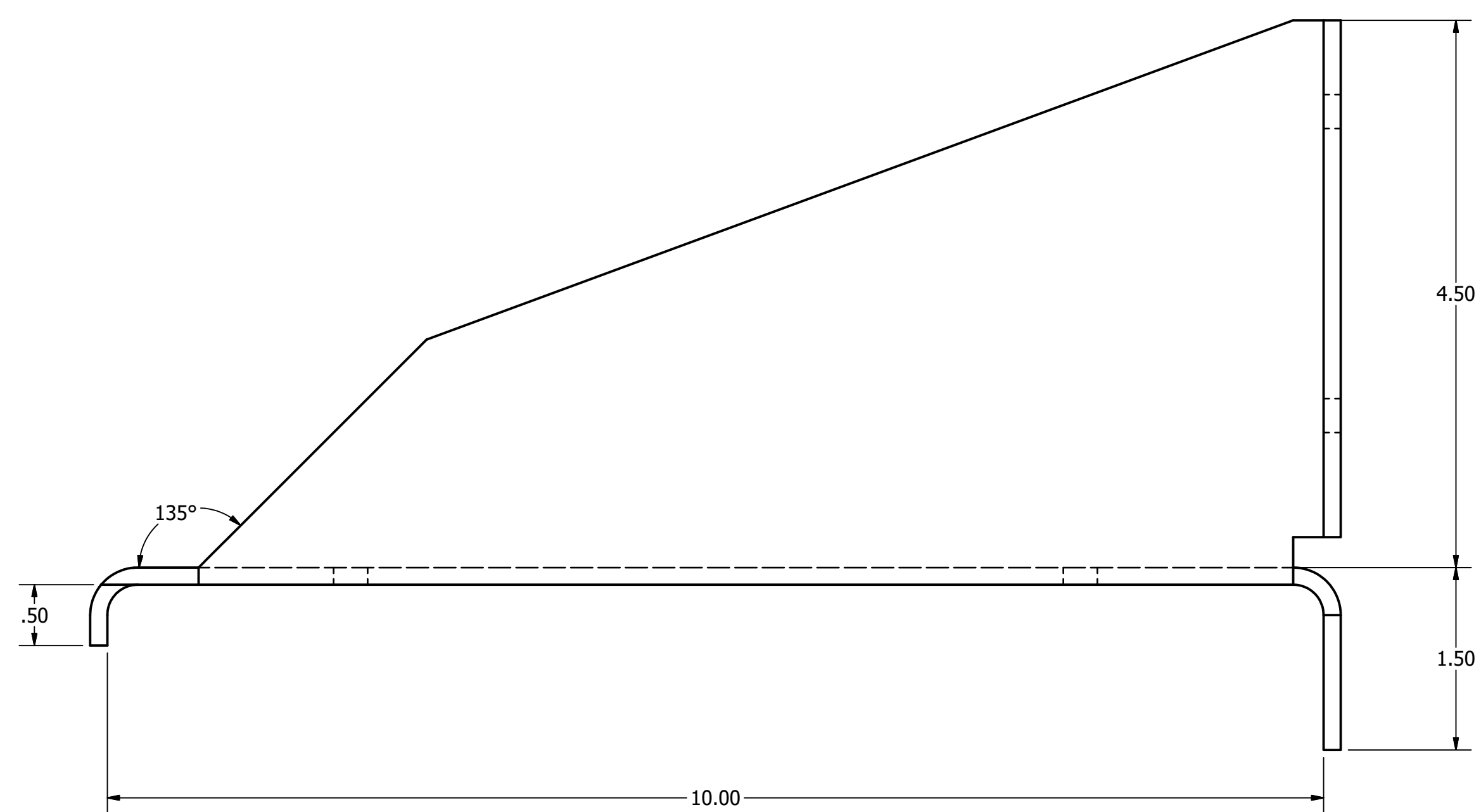
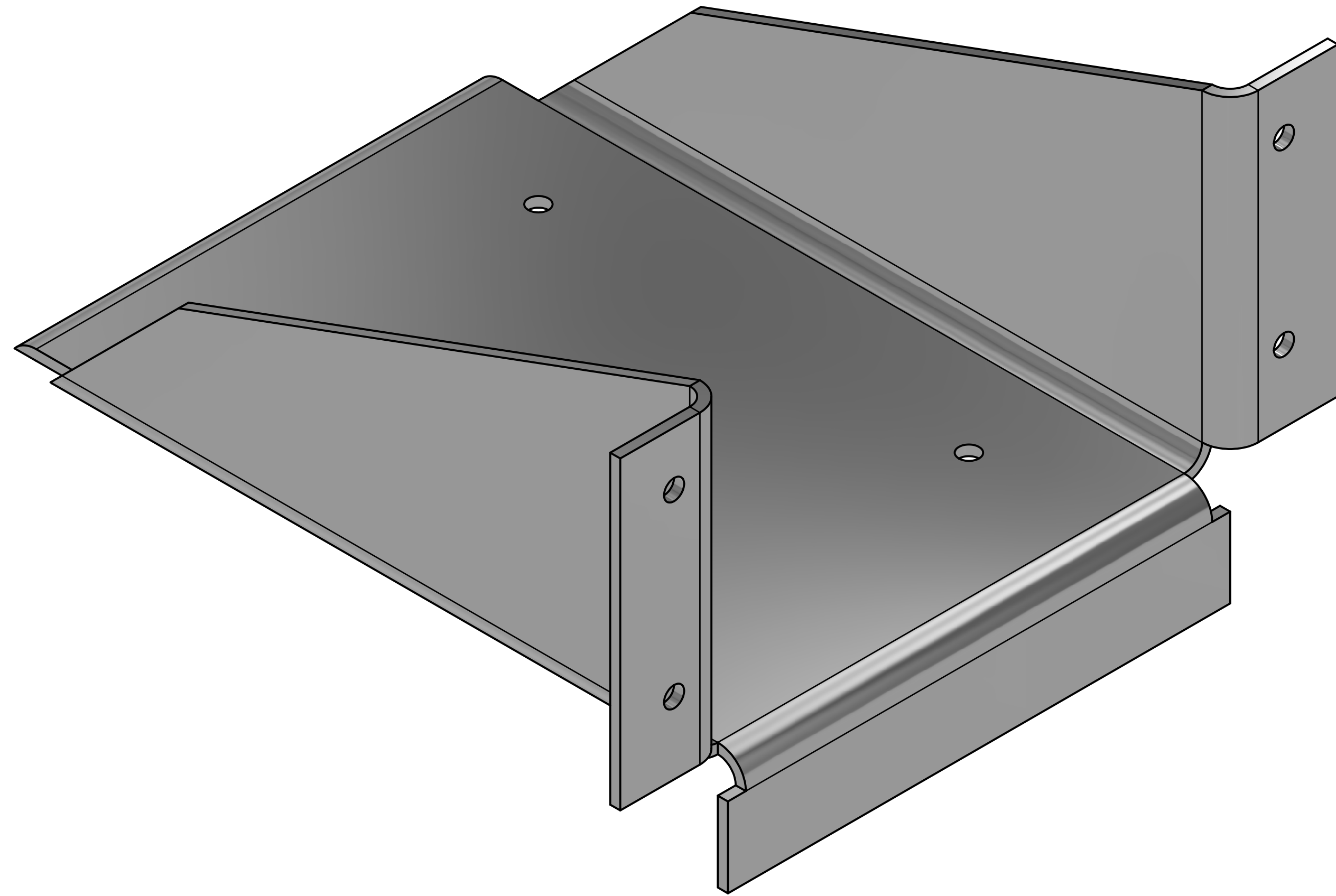
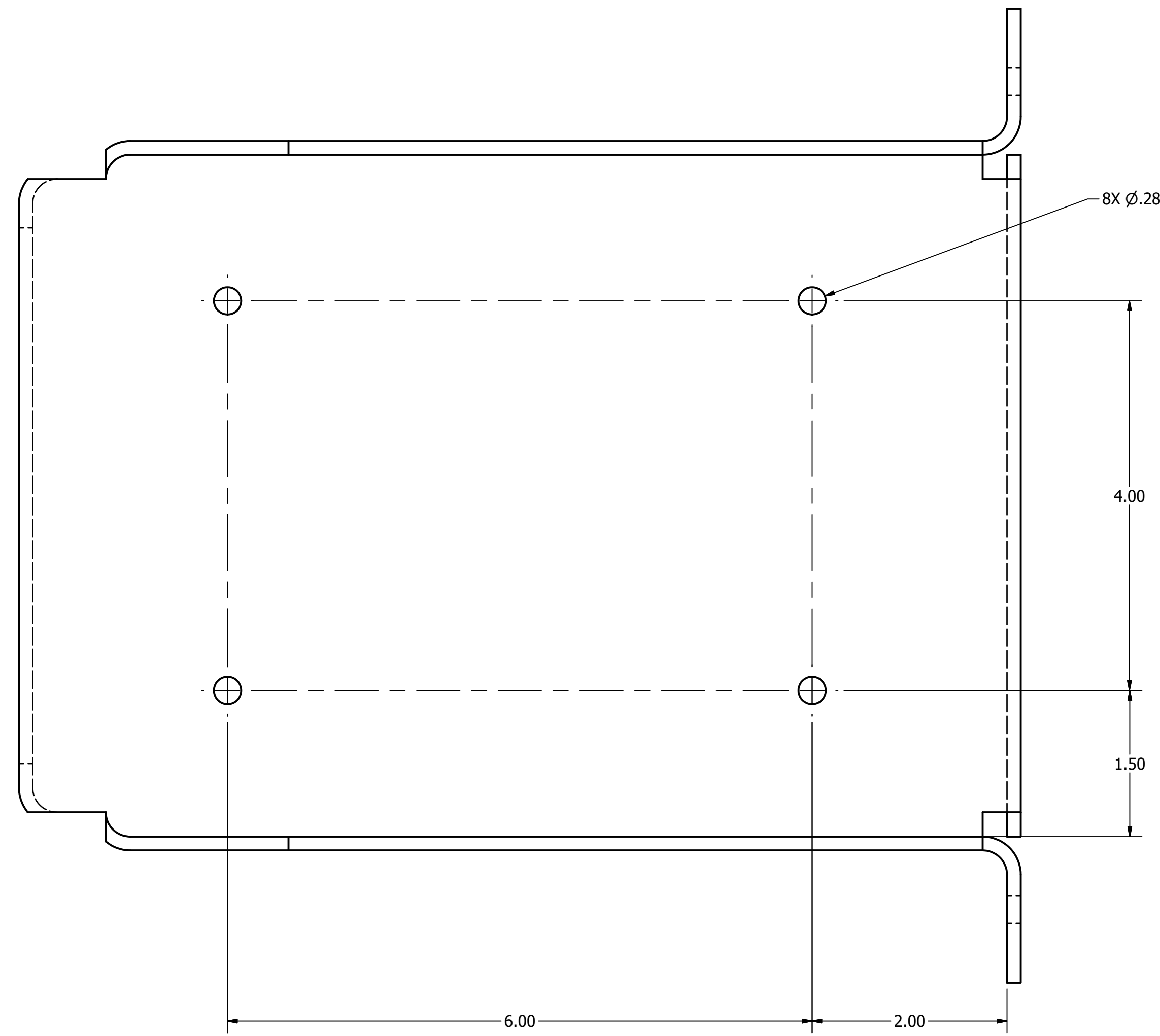
PARTS LIST			
ITEM	QTY	PART NUMBER	DESCRIPTION
1	1	MOTOR SUPPORT	10 GA (.141) USS STEEL



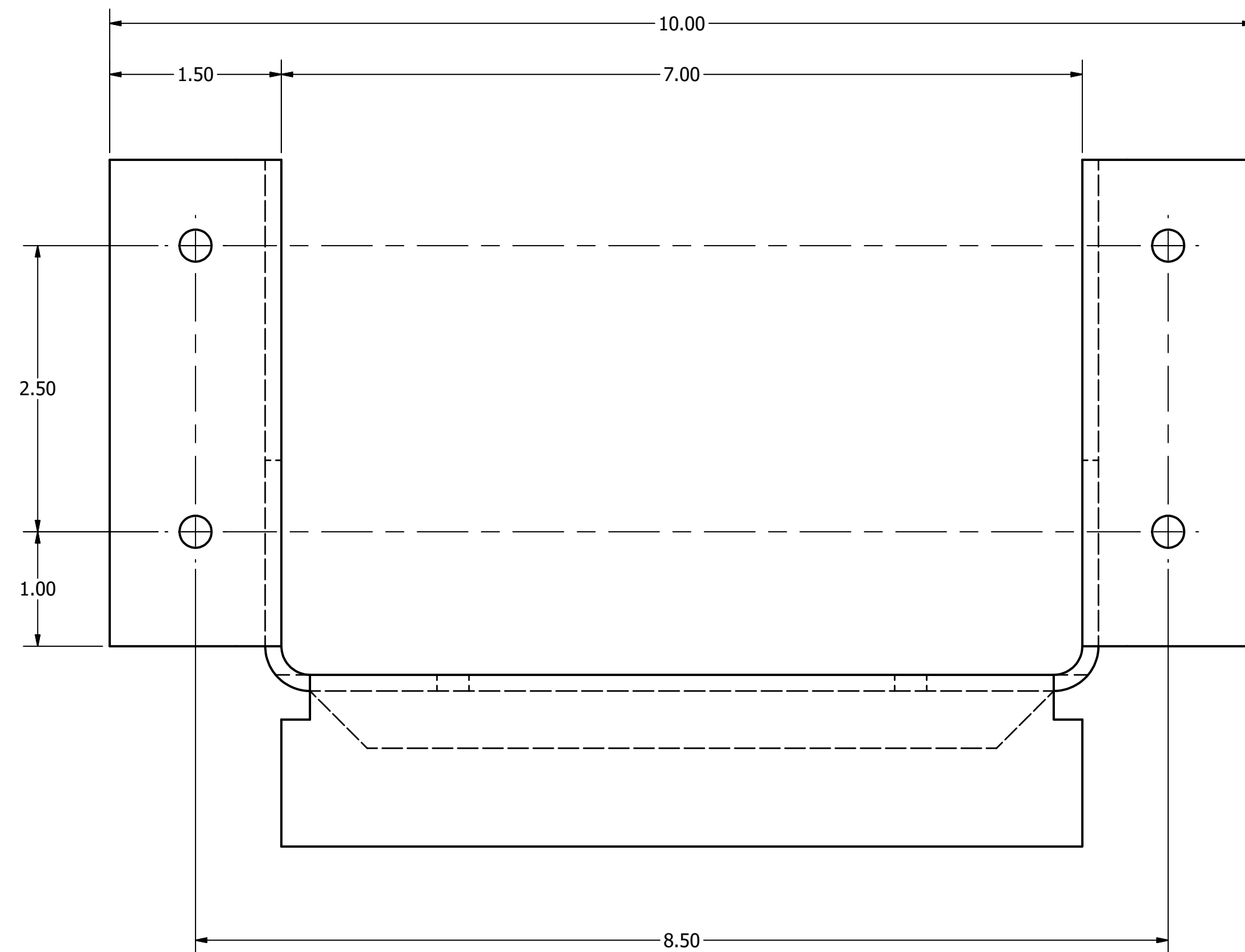
DIGITAL DESIGN  
GRAPHICS  
TECHNOLOGY

WWW.DDGT.NET

GENERAL NOTES:  
INSIDE BEND R RADIUS  
.25

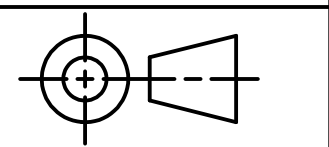


MOTOR MOUNT  
SCALE 1 : 1



**LEGEND:**

- ∅ DIAMETER
- R RADIUS
- ° DEGREES



TOLERANCES UNLESS SPECIFIED:  
DECIMAL INCHES:  
X = ±.020  
XX = ±.010  
XXX = ±.005  
FRACTIONAL = 1/64"  
ANGLES ±1 DEGREE

SURFACES  $\sqrt{32}$

CLASS: DDGT 120

ASSIGNMENT #: 69

INVENTOR DRAWING NAME:

MOTOR MOUNT

FIG #: 23-54

MANAGER: G. STROMEN

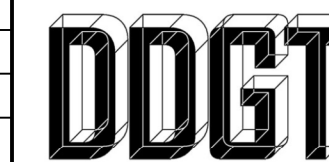
DRAFTER: N. HENDERSON

DATE: 11/22/2023

SCALE: AS NOTED

PAGE #: 2 OF 3

PARTS LIST			
ITEM	QTY	PART NUMBER	DESCRIPTION
1	1	MOTOR SUPPORT	10 GA (.141) USS STEEL

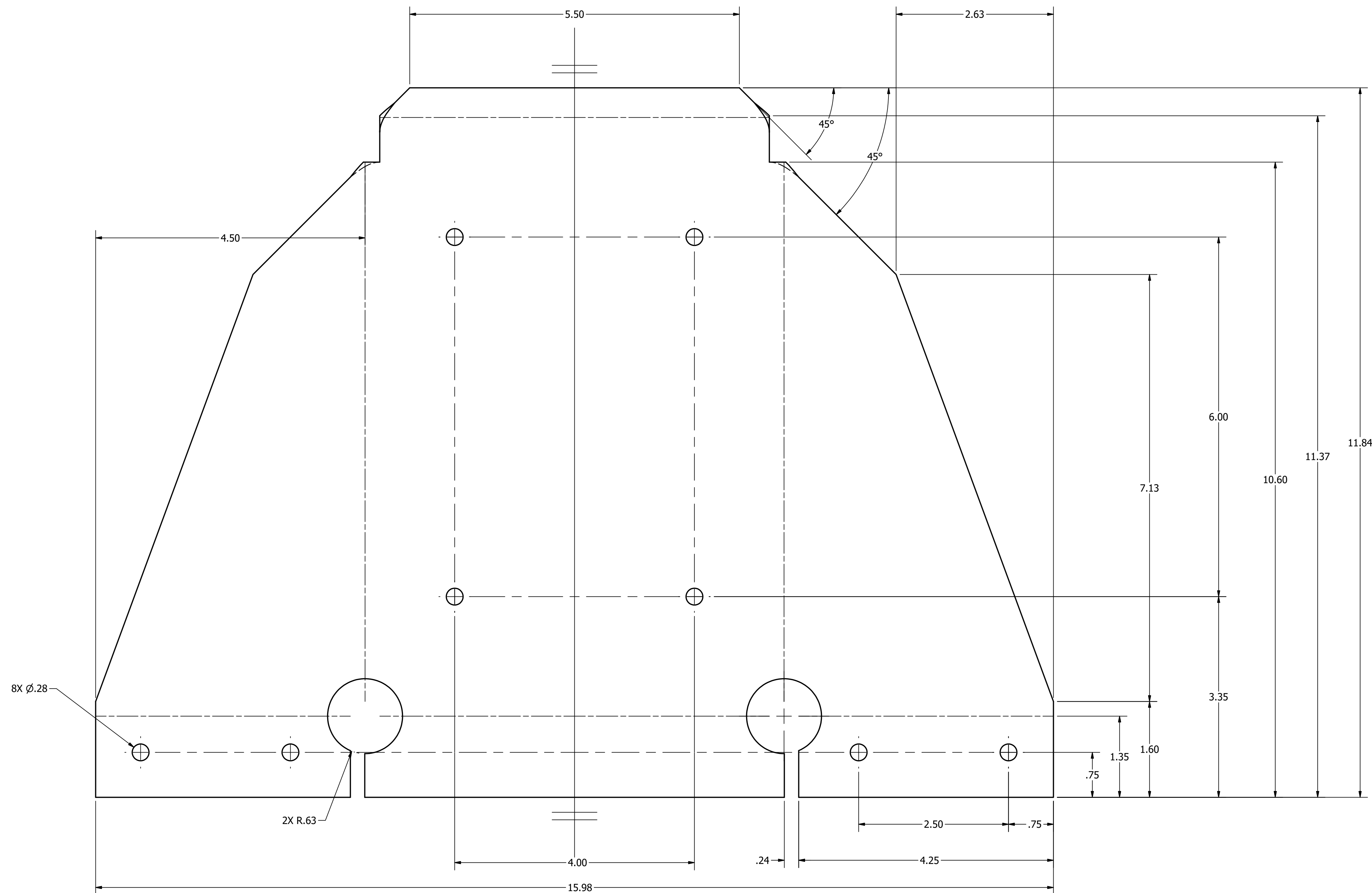


DIGITAL DESIGN  
GRAPHICS  
TECHNOLOGY

WWW.DDGT.NET

GENERAL NOTES:

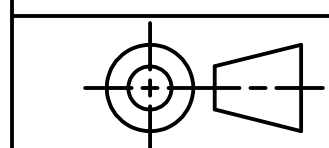
INSIDE BEND R RADIUS  
.25



MOTOR SUPPORT FLAT PATTERN  
SCALE 1 : 1

**LEGEND:**  
 ∅ DIAMETER  
 R RADIUS  
 ° DEGREES

**GENERAL NOTES:**  
 INSIDE BEND R RADIUS .25



TOLERANCES UNLESS SPECIFIED:  
 DECIMAL INCHES:  
 X = ±.020  
 XX = ±.010  
 XXX = ±.005  
 FRACTIONAL = 1/64"  
 ANGLES ±1 DEGREE  
 SURFACES  $\sqrt{\text{V}}$

CLASS: DDGT 120

ASSIGNMENT #: 69

INVENTOR DRAWING NAME:  
MOTOR MOUNT

FIG #: 23-54

MANAGER: G. STROMEN

DRAFTER: N. HENDERSON

DATE: 11/22/2023

SCALE: AS NOTED

PAGE #: 3 OF 3