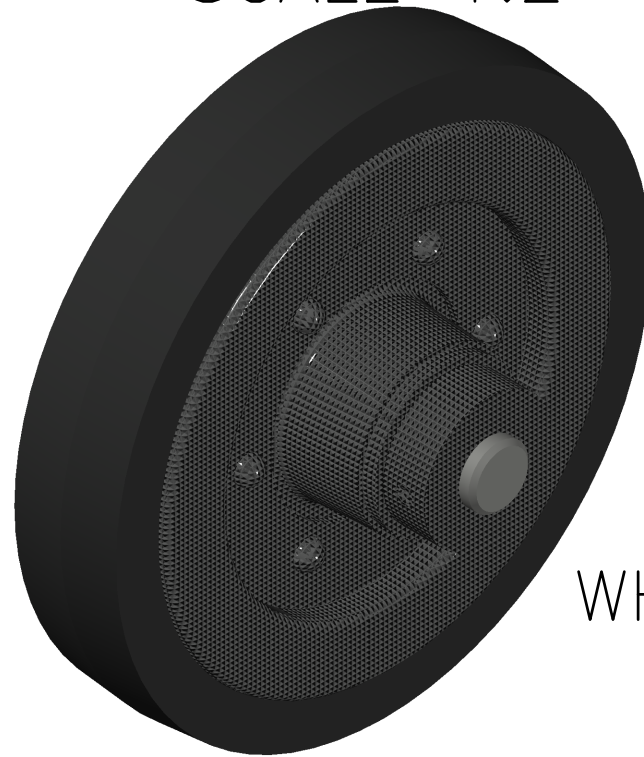




WHEEL ASSEMBLY  
SCALE 1:2



WHEEL ASSEMBLY  
(ALT VIEW)  
SCALE 1:2

## PARTS LIST

ITEM	QTY	PART NAME	MATERIAL	DESCRIPTION
1	1	AXLE	STEEL	
2	1	BUSHING	BRONZE	OILLESS
3	1	HUB	ALUMINUM	
4	1	COLLAR	ALUMINUM	
5	2	PANEL RING	ALUMINUM	.12" UNIFORM THICKNESS
6	1	WHEEL	HARD RUBBER	
7	6	RIVETS	STANDARD	Ø.31, 1.00" INSIDE LENGTH, EQUALLY SPACED
8	2	WASHERS	STANDARD	I.D. 1.00", O.D. 2.12", .18" THICK
9	1	SPRING PIN	STANDARD	Ø.25, 1.875" LONG

## GENERAL NOTES

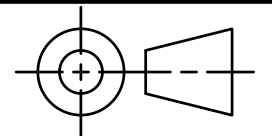
ALL FILLETS HAVE R.12" UNLESS OTHERWISE NOTED.

LEGEND  
Ø DIAMETER



DIGITAL DESIGN  
GRAPHICS  
TECHNOLOGY

WWW.DDGT.NET



TOLERANCES UNLESS SPECIFIED:  
DECIMAL INCHES:  
X = ±.020  
XX = ±.010  
XXX = ±.005  
FRACTIONAL ±1/64"  
ANGLES ±1 DEGREE  
SURFACES 32/

CLASS: DDGT 121

ASSIGNMENT NO: 8

AUTOCAD DRAWING NAME:  
WHEEL ASSEMBLY

FIG NO: 11-55

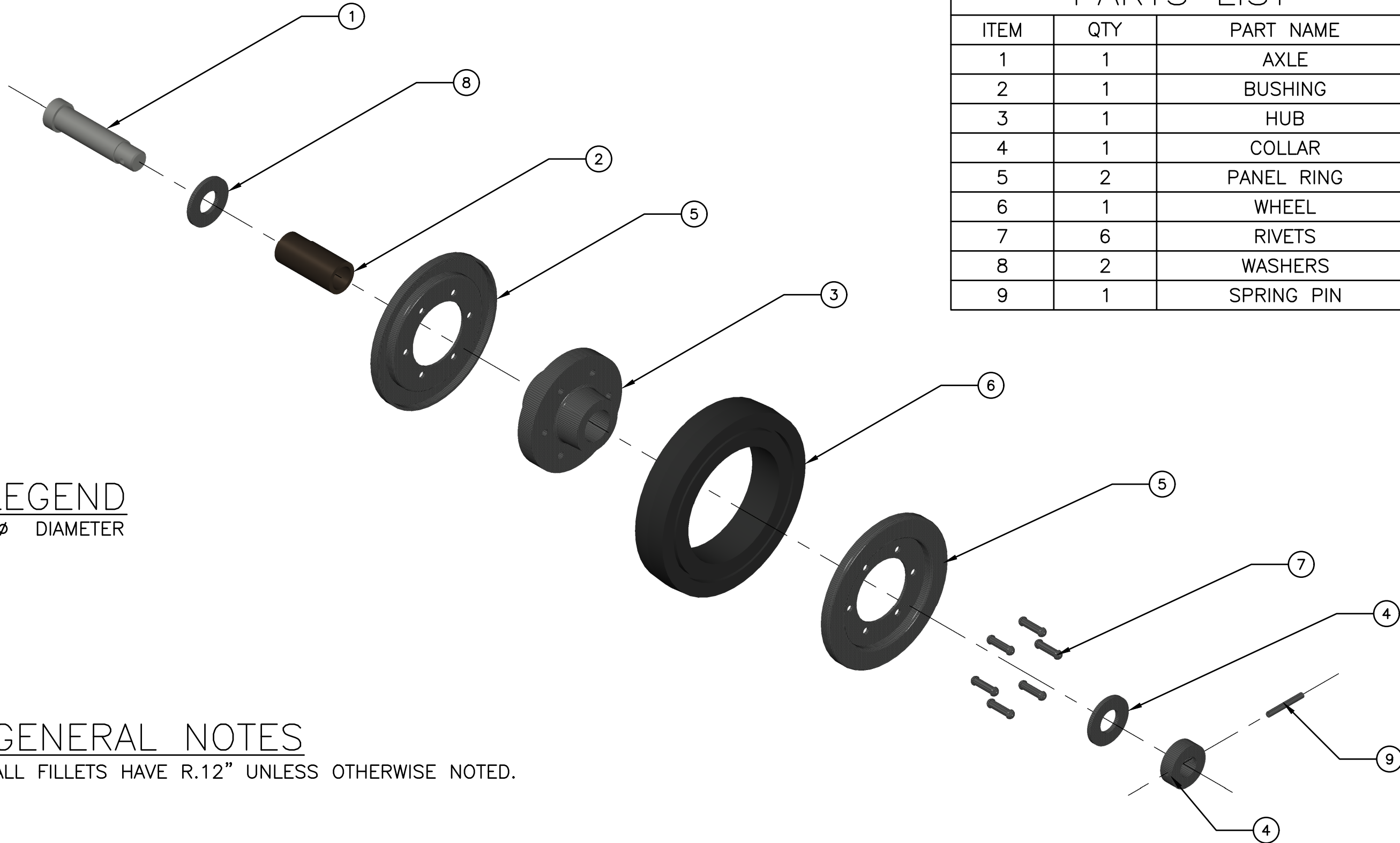
MANAGER: G. STROMMEN

DRAFTER: N. HENDERSON

DATE: 2/8/2024

SCALE: AS NOTED

PAGE NO: 1 OF 3



PARTS LIST		
ITEM	QTY	PART NAME
1	1	AXLE
2	1	BUSHING
3	1	HUB
4	1	COLLAR
5	2	PANEL RING
6	1	WHEEL
7	6	RIVETS
8	2	WASHERS
9	1	SPRING PIN



DIGITAL DESIGN  
GRAPHICS  
TECHNOLOGY

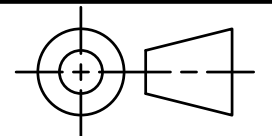
WWW.DDGT.NET

LEGEND  
∅ DIAMETER

GENERAL NOTES

ALL FILLETS HAVE R.12" UNLESS OTHERWISE NOTED.

WHEEL EXPLODED ASSEMBLY  
SCALE 1:4



TOLERANCES UNLESS SPECIFIED:  
DECIMAL INCHES:  
X = ±.020  
XX = ±.010  
XXX = ±.005  
FRACTIONAL ±1/64"  
ANGLES ±1 DEGREE  
SURFACES 32/

CLASS: DDGT 121

ASSIGNMENT NO: 8

AUTOCAD DRAWING NAME:  
WHEEL ASSEMBLY

FIG NO: 11-55

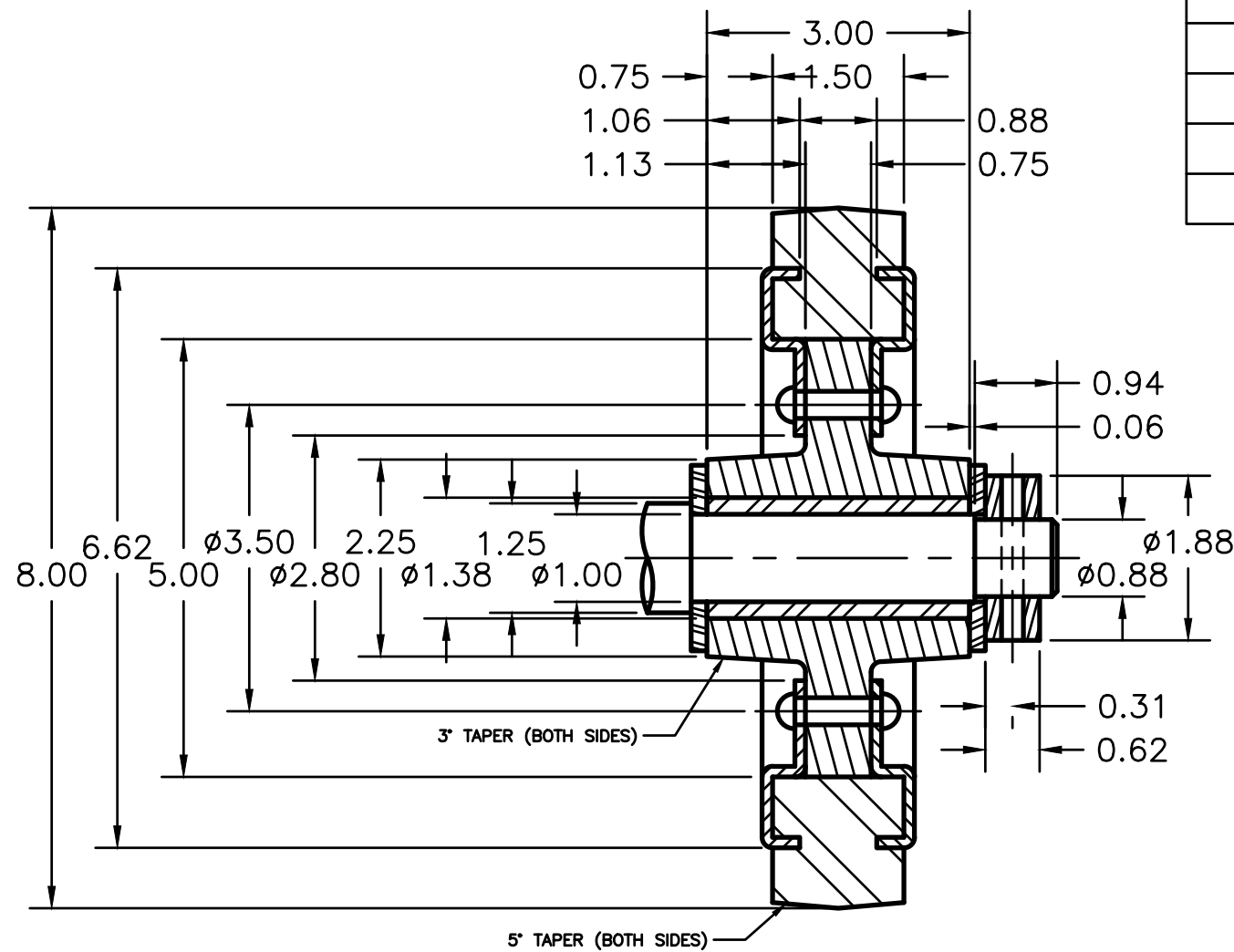
MANAGER: G. STROMMEN

DRAFTER: N. HENDERSON

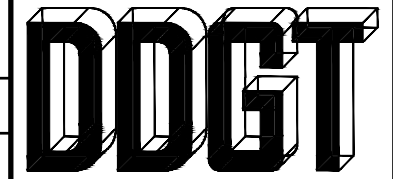
DATE: 2/8/2024

SCALE: AS NOTED

PAGE NO: 1 OF 3

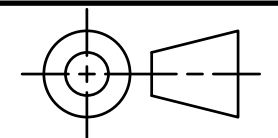


PARTS LIST		
ITEM	QTY	PART NAME
1	1	AXLE
2	1	BUSHING
3	1	HUB
4	1	COLLAR
5	2	PANEL RING
6	1	WHEEL
7	6	RIVETS
8	2	WASHERS
9	1	SPRING PIN



DIGITAL DESIGN  
GRAPHICS  
TECHNOLOGY

WWW.DDGT.NET



TOLERANCES UNLESS SPECIFIED:  
DECIMAL INCHES:  
X = ±.020  
XX = ±.010  
XXX = ±.005  
FRACTIONAL ±1/64"  
ANGLES ±1 DEGREE  
SURFACES 32

CLASS: DDGT 121

ASSIGNMENT NO: 8

AUTOCAD DRAWING NAME:  
WHEEL ASSEMBLY

FIG NO: 11-55

MANAGER: G. STROMMEN

DRAFTER: N. HENDERSON

DATE: 2/8/2024

SCALE: AS NOTED

PAGE NO: X OF 3

LEGEND  
∅ DIAMETER

## GENERAL NOTES

ALL FILLETS HAVE R.12" UNLESS OTHERWISE NOTED.