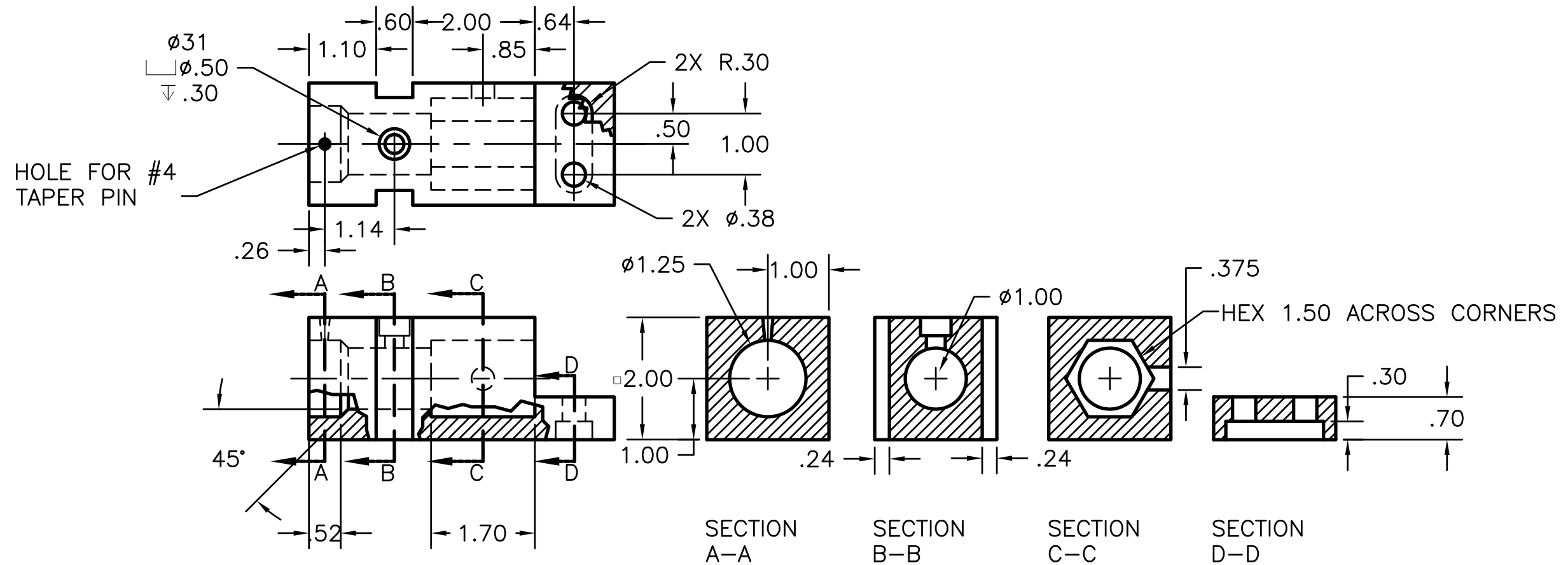


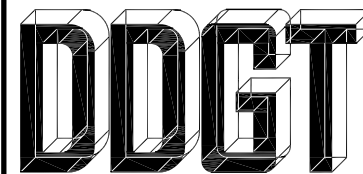
# PARTS LIST

ITEM.	QTY.	PART NAME
1	1	CASING



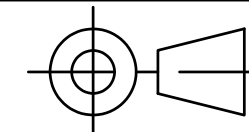
## LEGEND:

- DEGREES
- ∅ .DIAMETER
- R RADIUS
- ┌ COUNTERBORE
- ∇ DEPTH
- SQUARE



DIGITAL DESIGN  
GRAPHICS  
TECHNOLOGY

DDGT.NET



TOLERANCES UNLESS SPECIFIED:  
DECIMAL INCHES:  
X = ±.020  
XX = ±.010  
XXX = ±.005  
FRACTIONAL ±1/64"  
ANGLES ±1'  
SURFACES 32/

COURSE: DDGT 120

AUTOCAD DRAWING NAME:

CASING

FIG #: 9-39

DRAFTER: NEIL SCHAFER

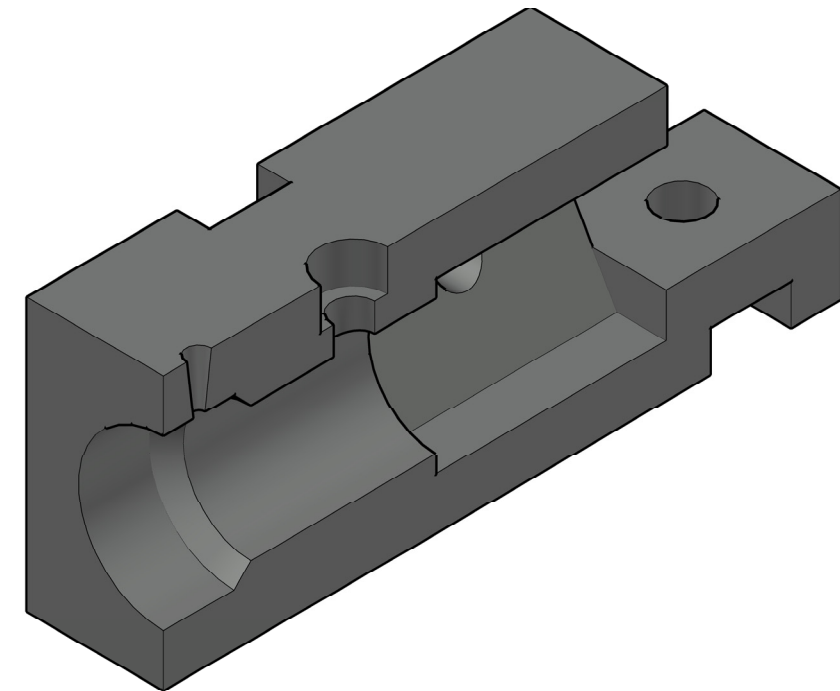
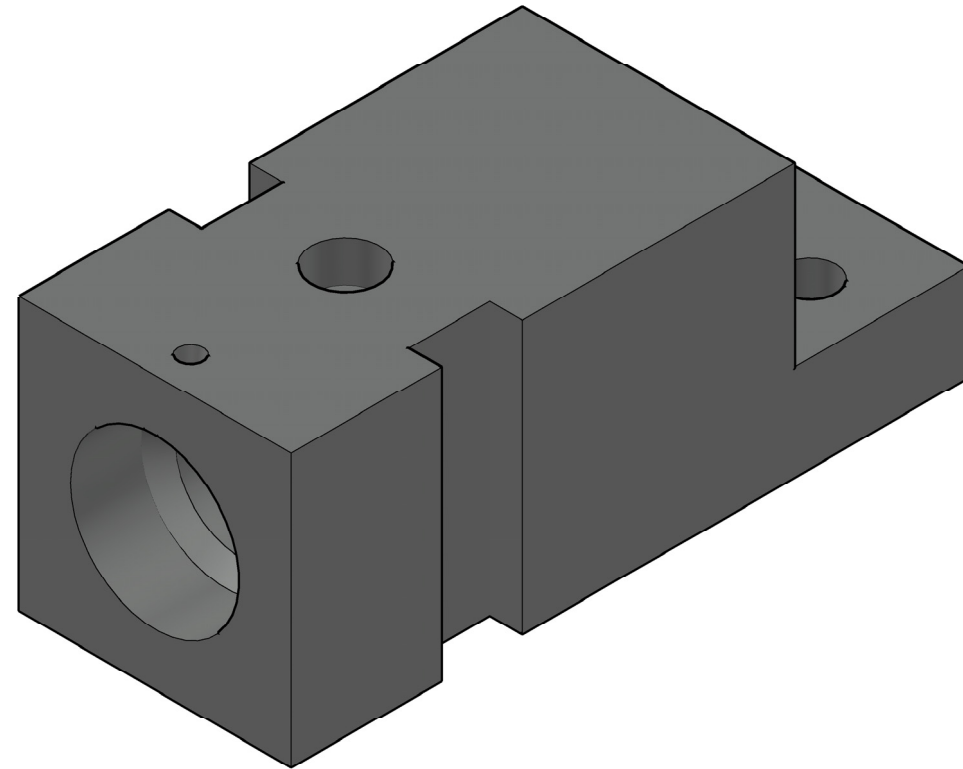
DATE: 11/9/2017

SCALE: 1:2

PAGE #: 2 OF 2

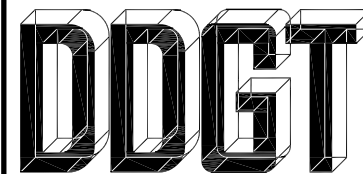
# PARTS LIST

ITEM.	QTY.	PART NAME	MATERIAL
1	1	CASING	SAE 1012



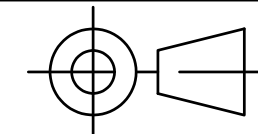
## LEGEND:

- ° DEGREES
- ∅ DIAMETER
- R RADIUS
- ⌊ COUNTERBORE
- ∇ DEPTH
- SQUARE



DIGITAL DESIGN  
GRAPHICS  
TECHNOLOGY

DDGT.NET



TOLERANCES UNLESS SPECIFIED:

DECIMAL INCHES:  
X = ±.020  
XX = ±.010  
XXX = ±.005  
FRACTIONAL ±1/64"  
ANGLES ±1°  
SURFACES 32/

COURSE: DDGT 120

AUTOCAD DRAWING NAME:

CASING

FIG #: 9-39

DRAFTER: NEIL SCHAFER

DATE: 11/9/2017

SCALE: 1:1

PAGE #: 1 OF 2