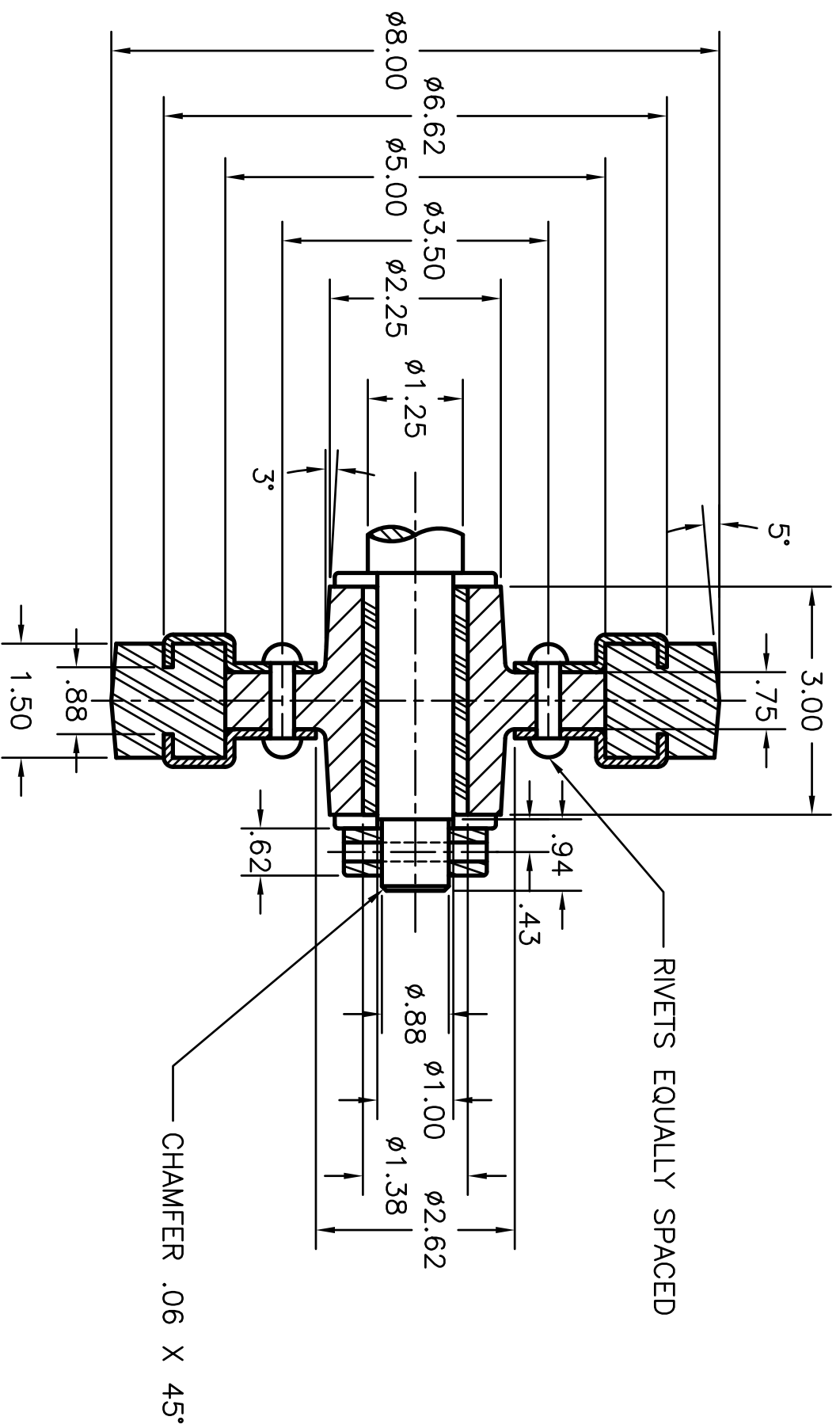


# PARTS LIST

ITEM.	QTY.	PART NAME
1	1	AXLE
2	2	WASHER
3	2	SIDE PLATE
4	1	HUB
5	1	TIRE
6	6	RIVET
7	1	OILLESS BUSHING
8	1	WHEEL LOCK
9	1	SPRING PIN

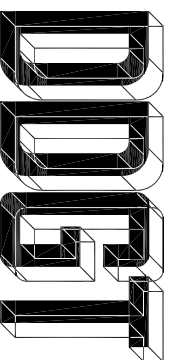


## GENERAL NOTES:

ALL ROUNDS AND FILLETS R .125

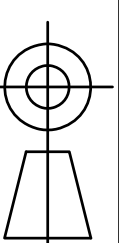
## LEGEND:

• DEGREES  
R RADIUS  
∅ DIAMETER



DIGITAL DESIGN  
GRAPHICS  
TECHNOLOGY

DDGT.NET



TOLERANCES UNLESS SPECIFIED:

DECIMAL INCHES:  
X = ±.020  
XX = ±.010  
XXX = ±.005  
FRACTIONAL ±1/64"  
ANGLES ±1°  
SURFACES 32/

COURSE: DDGT 121

AUTOCAD DRAWING NAME:

WHEEL

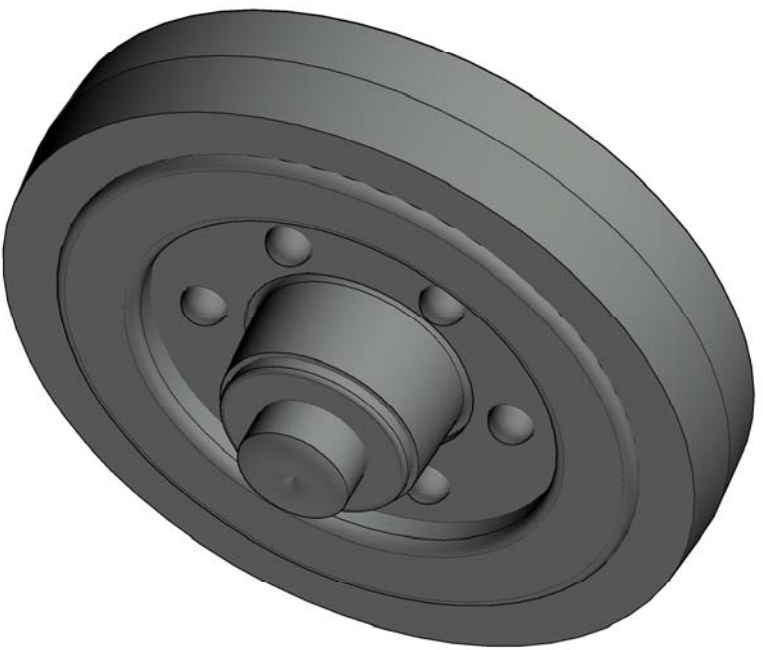
FIG #: 11-55

DRAFTER: NEIL SCHAFER

DATE: 2/1/2018

SCALE: 1:2

PAGE #: 3 OF 3



WHEEL ASSEMBLY

WHEEL ASSEMBLY  
(ADJACENT SIDE)

PARTS LIST

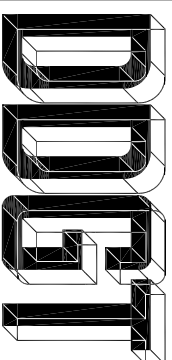
ITEM.	QTY.	PART NAME	MATERIAL	DISCRPTION
1	1	AXLE	COLD ROLL STEEL	
2	2	WASHER	STANDARD	ID 1. OD 2.12 .18 THK
3	2	SIDE PLATE	STAINLESS STEEL	.12 THICK
4	1	HUB	SAE 1020	
5	1	TIRE	RUBBER	
6	6	RIVET	STANDARD	Ø.31 1 THK
7	1	BUSHING	BRONZE	OILLESS BUSHING
8	1	WHEEL LOCK	STAINLESS STEEL	
9	1	SPRING PIN	STANDARD	Ø.25 X 1.88 DEPTH

GENERAL NOTES:

ALL ROUNDS AND FILLETS R .125

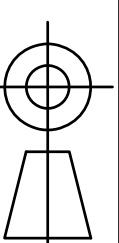
LEGEND:

- DEGREES
- R RADIUS
- Ø DIAMETER



DIGITAL DESIGN  
GRAPHICS  
TECHNOLOGY

DDGT.NET



TOLERANCES UNLESS SPECIFIED:

DECIMAL INCHES:  
X = ±.020  
XX = ±.010  
XXX = ±.005  
FRACTIONAL ±1/64"  
ANGLES ±1°  
SURFACES 32/

COURSE: DDGT 121  
AUTOCAD DRAWING NAME: WHEEL

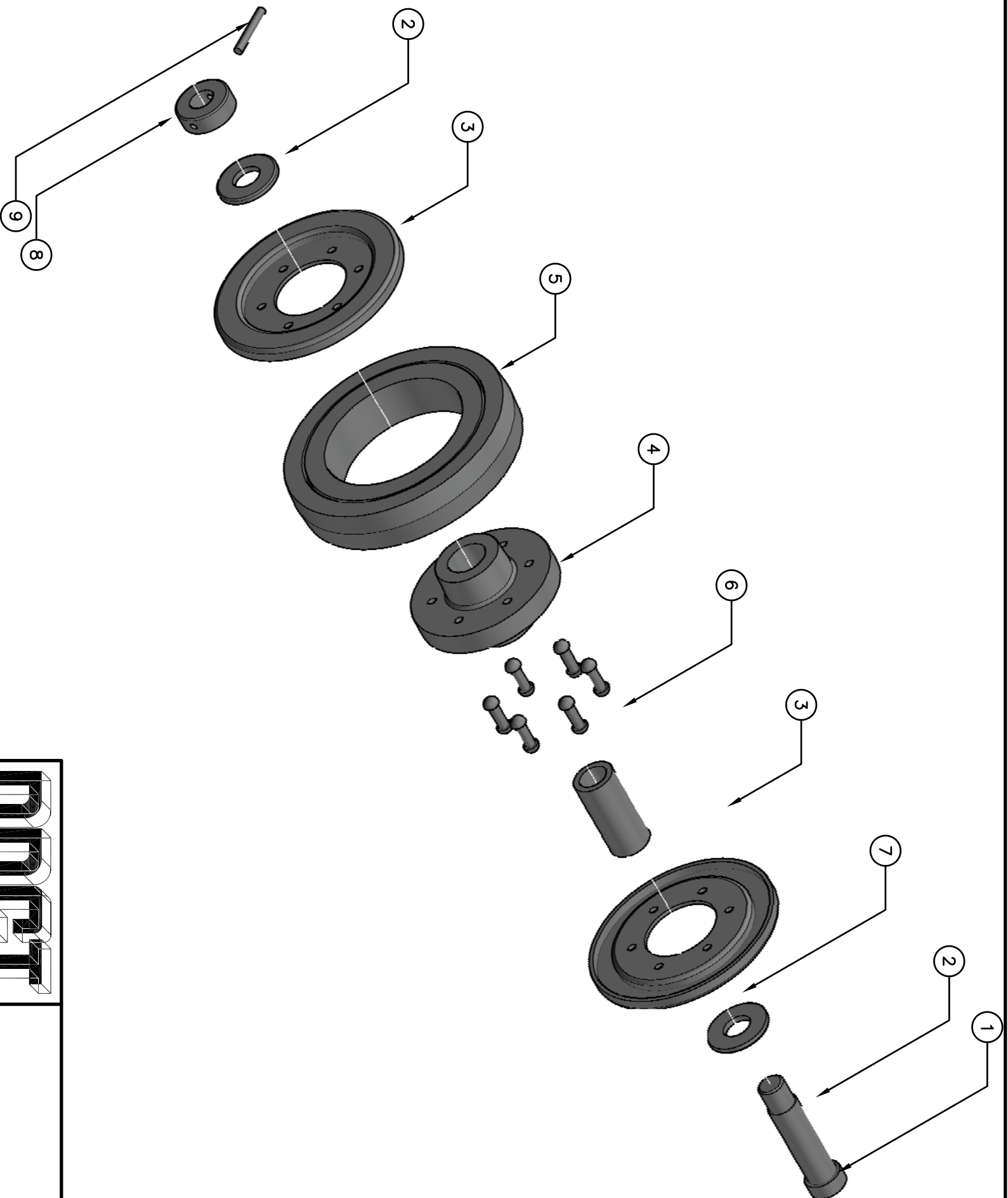
FIG #: 11-55

DRAFTER: NEIL SCHAFER

DATE: 1/30/2018

SCALE: 1:2

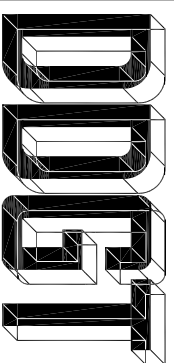
PAGE #: 1 OF 3



PARTS LIST		
ITEM.	QTY.	PART NAME
1	1	AXLE
2	2	WASHER
3	2	SIDE PLATE
4	1	HUB
5	1	TIRE
6	6	RIVET
7	1	OILLESS BUSHING
8	1	WHEEL LOCK
9	1	SPRING PIN

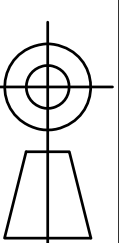
**GENERAL NOTES:**  
 ALL ROUNDS A FILLETS R .125

**LEGEND:**  
 ° DEGREES  
 R RADIUS  
 Ø DIAMETER



DIGITAL DESIGN  
 GRAPHICS  
 TECHNOLOGY

DDGT.NET



TOLERANCES UNLESS SPECIFIED:

DECIMAL INCHES:  
 X = ±.020  
 XX = ±.010  
 XXX = ±.005  
 FRACTIONAL ±1/64"  
 ANGLES ±1°  
 SURFACES 32/

WHEEL

COURSE: DDGT 121

AUTOCAD DRAWING NAME:

FIG #: 11-55

DRAWER: NEIL SCHAFER

DATE: 1/30/2018

SCALE: 1:4

PAGE #: 2 OF 3