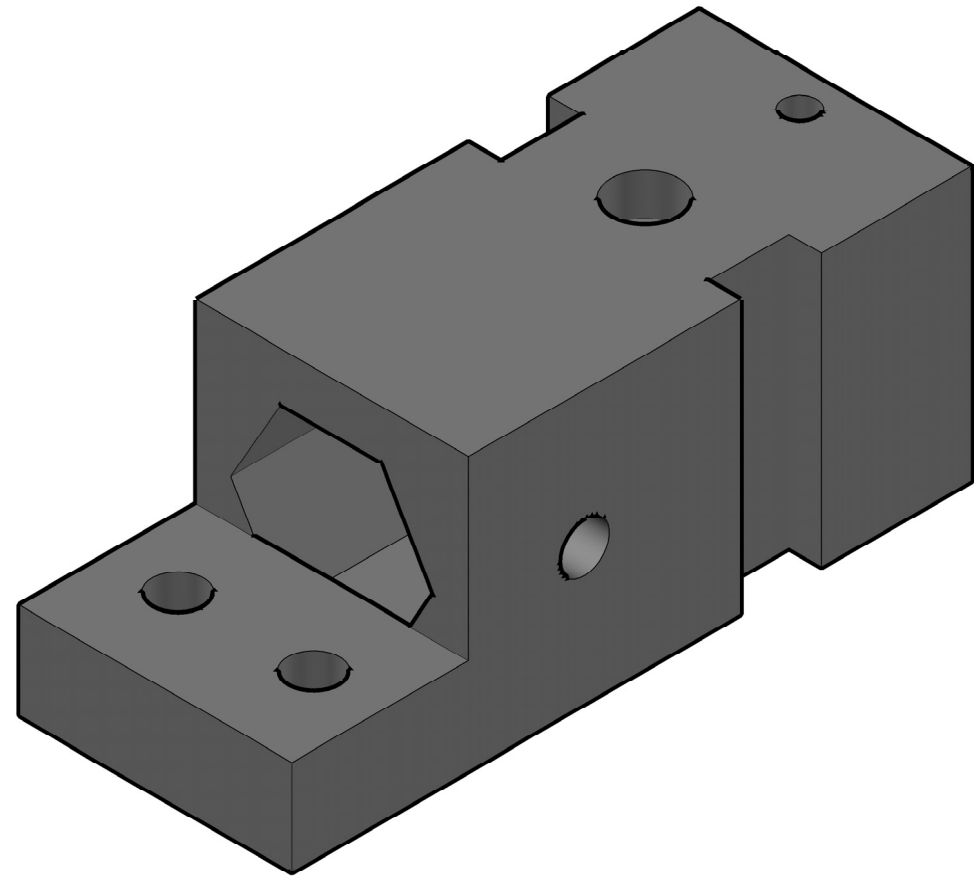
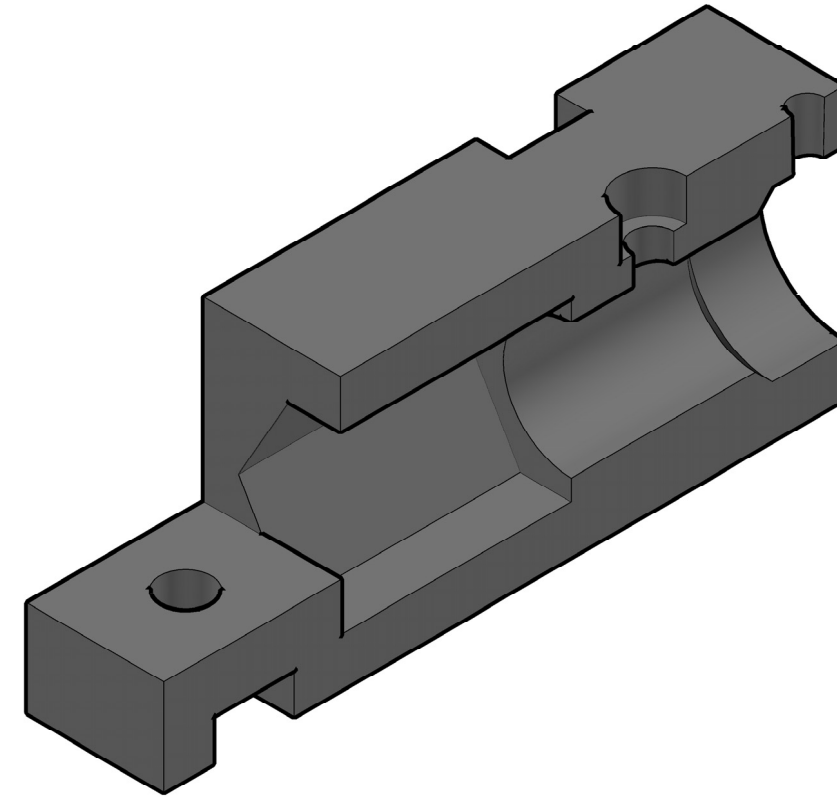


PARTS LIST

ITEM	QTY.	PART NAME	MATERIAL
1	1	CASING	SAE 1012



CASING

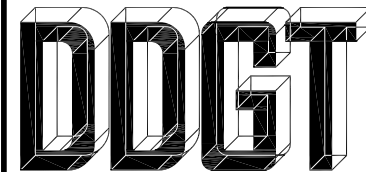


CASING SECTION VIEW

GENERAL NOTES:

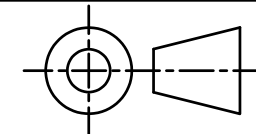
LEGEND:

- ° DEGREES
- ∅ DIAMETER
- R RADIUS
- ┌ COUNTERBORE
- ∇ DEPTH



DIGITAL DESIGN
GRAPHICS
TECHNOLOGY

WWW.DDGT.NET



TOLERANCES UNLESS SPECIFIED:
 DECIMAL INCHES:
 X = ±.020
 XX = ±.010
 XXX = ±.005
 FRACTIONAL ±1/64"
 ANGLES ±1 DEGREE
 SURFACES 32/√

COURSE: DDGT120

AUTOCAD DRAWING NAME:

CASING

FIG#: 9-39

DRAFTER: S. NAYERI

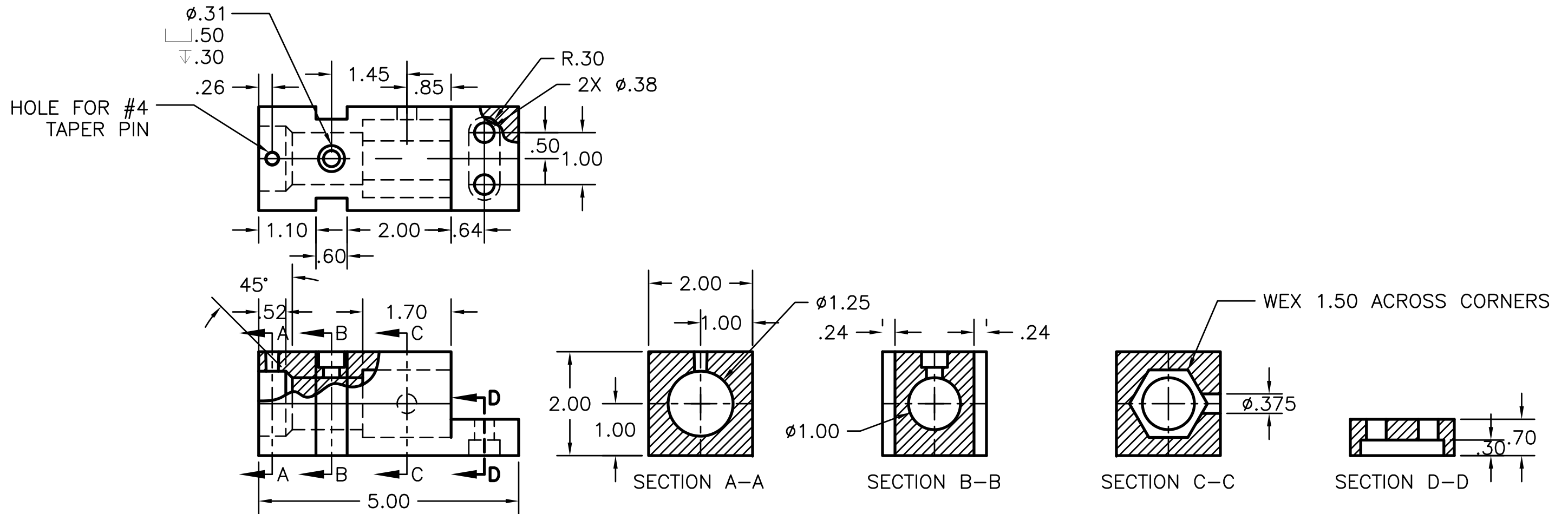
DATE: 11/6/2017

SCALE: 1:1

PAGE #: 1 OF 2

PARTS LIST

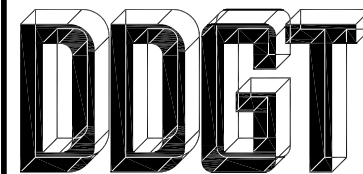
ITEM	QTY.	PART NAME	MATERIAL
1	1	CASING	SAE 1012



GENERAL NOTES:

LEGEND:

- ° DEGREES
- ∅ DIAMETER
- R RADIUS
- ┌ COUNTERBORE
- ∇ DEPTH

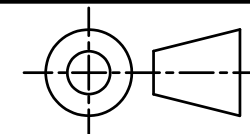
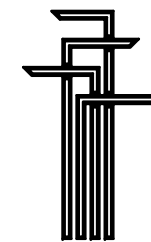


DIGITAL DESIGN
GRAPHICS
TECHNOLOGY

WWW.DDGT.NET

Sepehr Nayeri
Design and
Engineering

303-618-4549
sepehr_nayeri@yahoo.com
www.ddgt.com/StudentPages/snayeri



TOLERANCES UNLESS SPECIFIED:
DECIMAL INCHES:
X = ±.020
XX = ±.010
XXX = ±.005
FRACTIONAL ±1/64"
ANGLES ±1 DEGREE
SURFACES 32/

COURSE: DDGT120

AUTOCAD DRAWING NAME:

CASING

FIG#: 9-39

DRAFTER: S. NAYERI

DATE: 11/6/2017

SCALE: 1:2

PAGE #: 2 OF 2