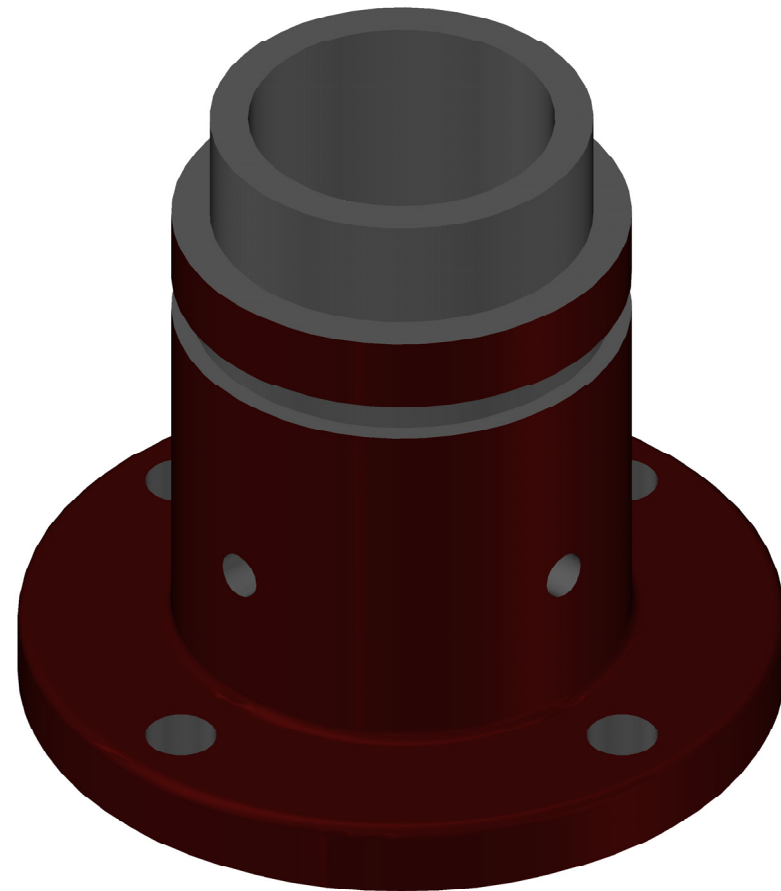
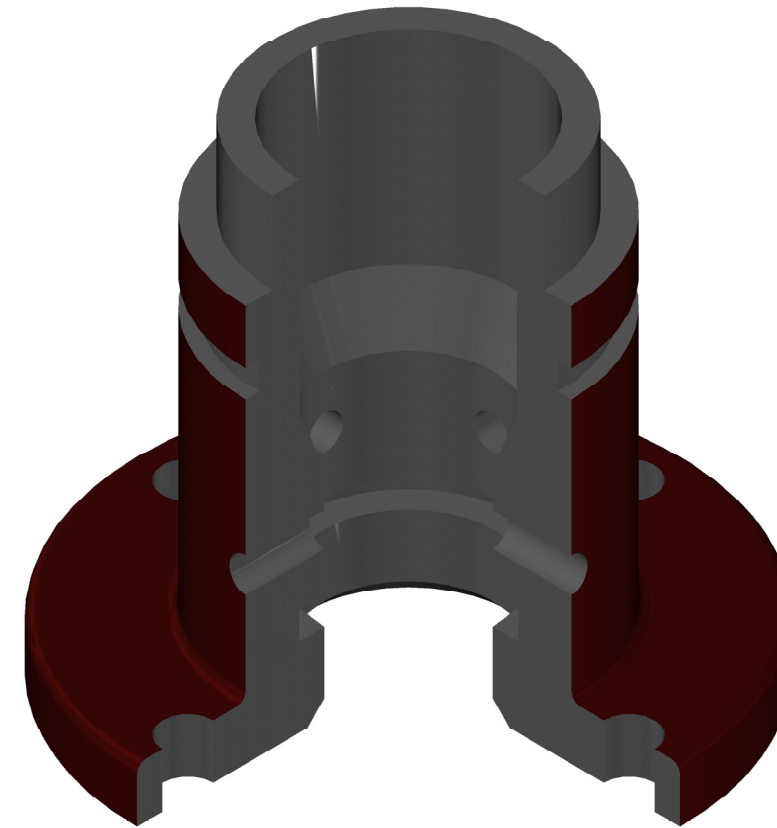


PARTS LIST

ITEM	QTY.	PART NAME	MATERIAL
1	1	CONNECTOR	SAE 1110



CONNECTOR



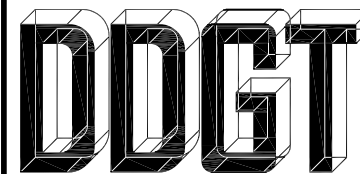
SECTION VIEW OF CONNECTOR

GENERAL NOTES:

ALL FILLETS $R_{\frac{1}{16}}$ " UNLESS OTHERWISE SHOWN
 ALL DIMENSIONS ARE IN INCHES

LEGEND:

° DEGREES
 ϕ DIAMETER
 R RADIUS

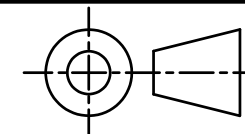
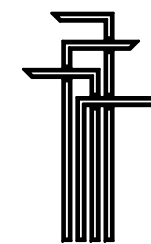


DIGITAL DESIGN
 GRAPHICS
 TECHNOLOGY

WWW.DDGT.NET

Sepehr Nayeri
 Design and
 Engineering

303-618-4549
 sepehr_nayeri@yahoo.com
 www.ddgt.com/StudentPages/snayeri



TOLERANCES UNLESS SPECIFIED:
 DECIMAL INCHES:
 X = ± 0.020
 XX = ± 0.010
 XXX = ± 0.005
 FRACTIONAL $\pm 1/64$ "
 ANGLES ± 1 DEGREE
 SURFACES $\frac{32}{\sqrt{\quad}}$

COURSE: DDGT121

AUTOCAD DRAWING NAME:
 CONNECTOR

FIG#: 13-84

DRAFTER: S. NAYERI

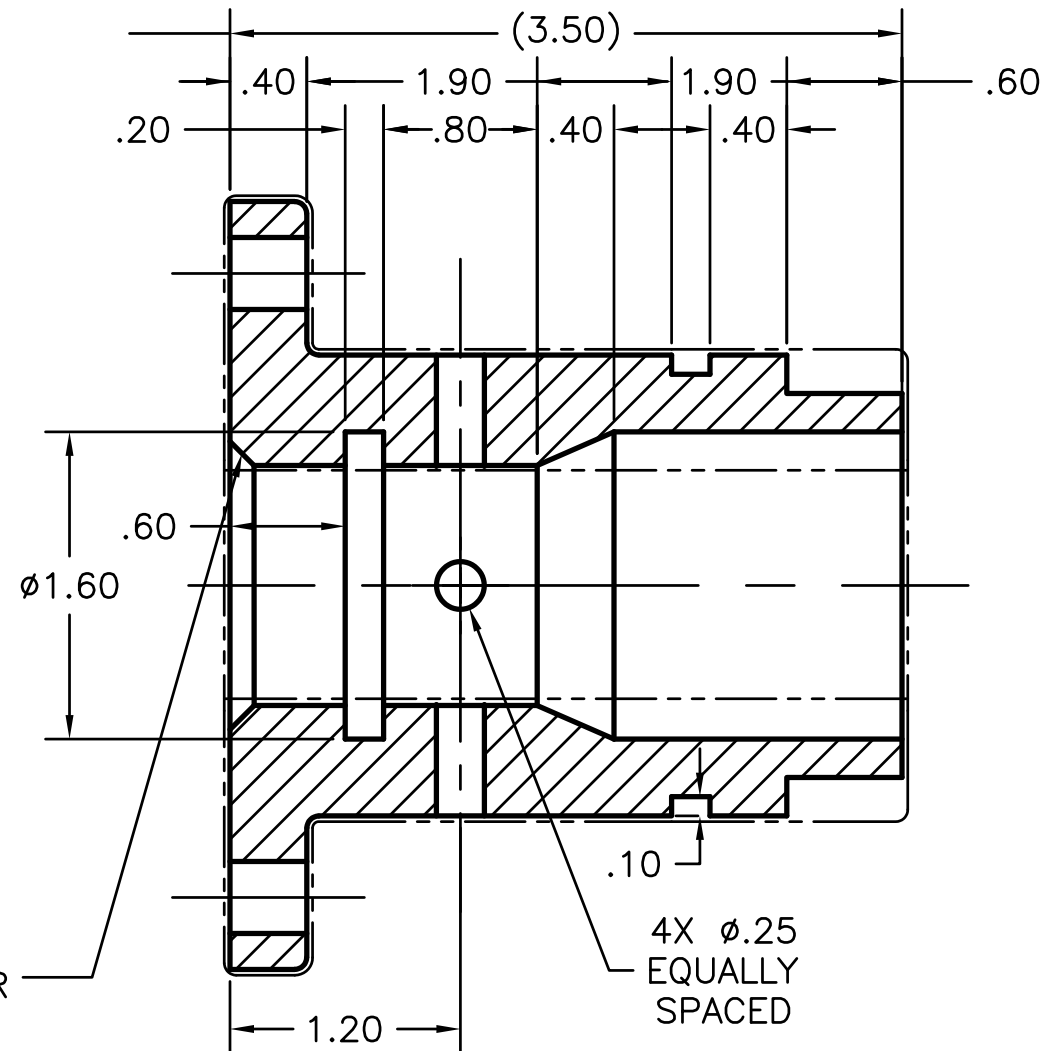
DATE: 5/15/2018

SCALE: 1:1

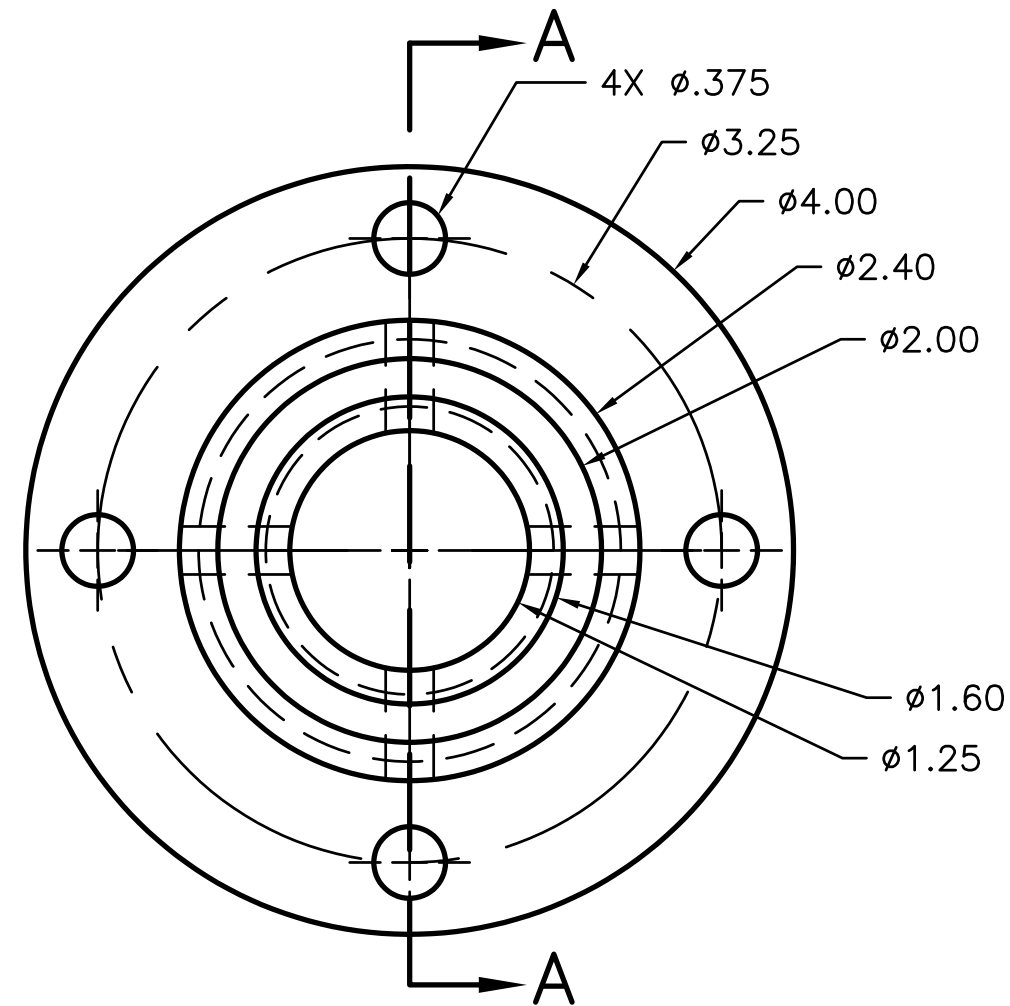
PAGE #: 1 OF 3

PARTS LIST

ITEM	QTY.	PART NAME
1	1	CONNECTOR



SECTION A-A



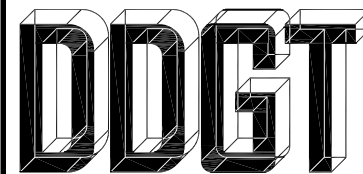
CONNECTOR

GENERAL NOTES:

ALL FILLETS R $\frac{1}{16}$ " UNLESS OTHERWISE SHOWN
ALL DIMENSIONS ARE IN INCHES

LEGEND:

° DEGREES
∅ DIAMETER
R RADIUS

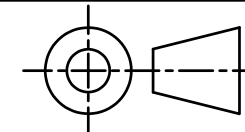
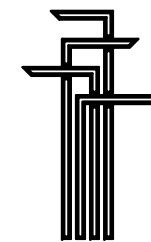


DIGITAL DESIGN
GRAPHICS
TECHNOLOGY

WWW.DDGT.NET

Sepehr Nayeri
Design and
Engineering

303-618-4549
sepehr_nayeri@yahoo.com
www.ddgt.com/StudentPages/snayeri



TOLERANCES UNLESS SPECIFIED:
DECIMAL INCHES:
X = ±.020
XX = ±.010
XXX = ±.005
FRACTIONAL ±1/64"
ANGLES ±1 DEGREE
SURFACES $\sqrt{32}$

COURSE: DDGT121

AUTOCAD DRAWING NAME:

CONNECTOR

FIG#: 13-84

DRAFTER: S. NAYERI

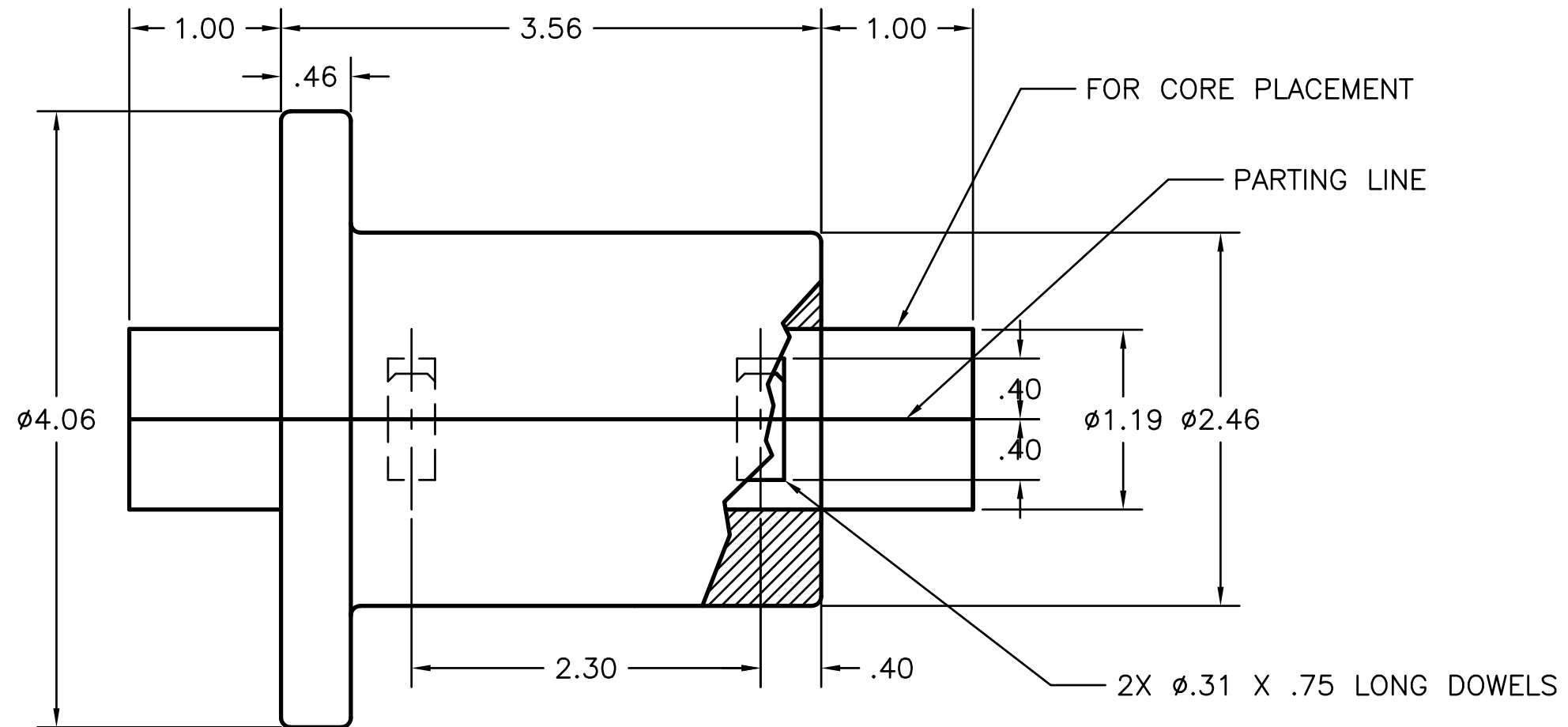
DATE: 5/15/2018

SCALE: 1:1

PAGE #: 2 OF 3

PARTS LIST

ITEM	QTY.	PART NAME
1	1	CONNECTOR



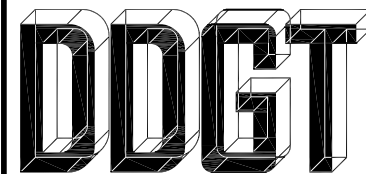
PATTERN DRAWING FOR
CASTING CONNECTOR

GENERAL NOTES:

ALL FILLETS $R_{\frac{1}{16}}$ UNLESS OTHERWISE SHOWN
ALL DIMENSIONS ARE IN INCHES

LEGEND:

° DEGREES
∅ DIAMETER
R RADIUS

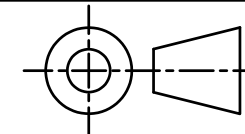
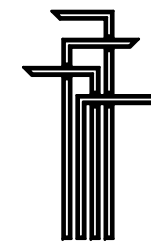


DIGITAL DESIGN
GRAPHICS
TECHNOLOGY

WWW.DDGT.NET

Sepehr Nayeri
Design and
Engineering

303-618-4549
sepehr_nayeri@yahoo.com
www.ddgt.com/StudentPages/snayeri



TOLERANCES UNLESS SPECIFIED:
DECIMAL INCHES:
X = ±.020
XX = ±.010
XXX = ±.005
FRACTIONAL ±1/64"
ANGLES ±1 DEGREE
SURFACES 32/

COURSE: DDGT121

AUTOCAD DRAWING NAME:

CONNECTOR

FIG#: 13-84

DRAFTER: S. NAYERI

DATE: 5/15/2018

SCALE: 1:1

PAGE #: 3 OF 3