

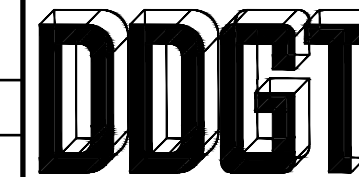
ROBOTIC ARM
ASSEMBLY
SCALE 1:2

LEGEND:

- ∅ DIAMETER
- R RADIUS
- DEGREES
- | | COUNTERBORE
- ∇ DEPTH

PARTS LIST

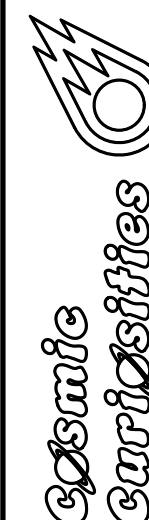
ITEM	QTY.	PART NAME	MATERIAL	DESCRIPTION
1	1	BASE E-01	ALUMINUM	PAINT
2	1	ARM E-01	ALUMINUM	PAINT
3	1	ARM E-02	ALUMINUM	PAINT
4	1	SLIDING TUBE SUB-ASSEMBLY	STEEL	
4.1	1	SLIDING TUBE TOP	STEEL	
4.2	1	SLIDING TUBE BOTTOM	STEEL	
5	1	VACUUM CONNECTOR	STEEL	
6	1	VACUUM CUP	RUBBER	
7	1	BASE CAP	ALUMINUM	PAINT
8	1	ELBOW CAP	ALUMINUM	PAINT
9	1	VACUUM CAP	ALUMINUM	PAINT
10	1	VACUUM LINE	RUBBER	.25" OD, .125" ID, 12" LONG
11	3	SOCKET HEAD CAP SCREW	STAINLESS STEEL	10-32 UNF, 1.25" LONG, PARTIALLY THREADED - MCMASTER CARR 9216A276



DIGITAL DESIGN
GRAPHICS
TECHNOLOGY

WWW.DDGT.NET

GENERAL NOTES:
ALL FILLETS ARE .06 UNLESS OTHERWISE NOTED
ALL CHAMFERS ARE .02 X 45° UNLESS OTHERWISE NOTED



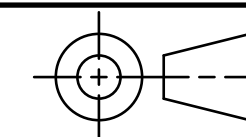
Space Themed Toys and Puzzles

Sebastian Zepeda

Phones: (707) 337-5558

CosmicToysAndPuzzles@gmail.com

http://ddgt.net/StudentPages/szepeda



TOLERANCES UNLESS SPECIFIED:
DECIMAL INCHES:
X = ±.020
XX = ±.010
XXX = ±.005
FRACTIONAL ±1/64"
ANGLES ±1 DEGREE
SURFACES 32/

4	2/20/2024	LENGTH OF SLIDING TUBE CHANGED FROM 4.19" TO 5.19"	G. STROMMEN	4
3	2/20/2024	LENGTH OF ARM E-02 CHANGED FROM 3.50" TO 4.00"	G. STROMMEN	4
2	2/20/2024	LENGTH OF ARM E-01 CHANGED FROM 4.50" TO 5.00"	G. STROMMEN	3
1	2/20/2024	HEIGHT OF BASE E-01 CHANGED FROM 3.00" TO 4.00"	G. STROMMEN	3
REV #	DATE	DESCRIPTION	APPROVED BY	PAGE #

REVISION TABLE

CLASS: DDGT 241

ASSIGNMENT #: #9

AUTOCAD DRAWING NAME:
ROBOTIC ARM

FIG #: 1058

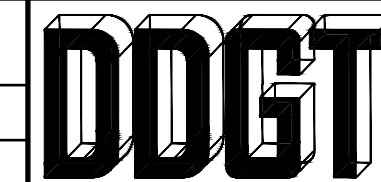
MANAGER: G. STROMMEN

DRAFTER: S. ZEPEDA

DATE: 2/28/2024

SCALE: AS NOTED

PAGE #: 1 OF 5



DIGITAL DESIGN
GRAPHICS
TECHNOLOGY

WWW.DDGT.NET

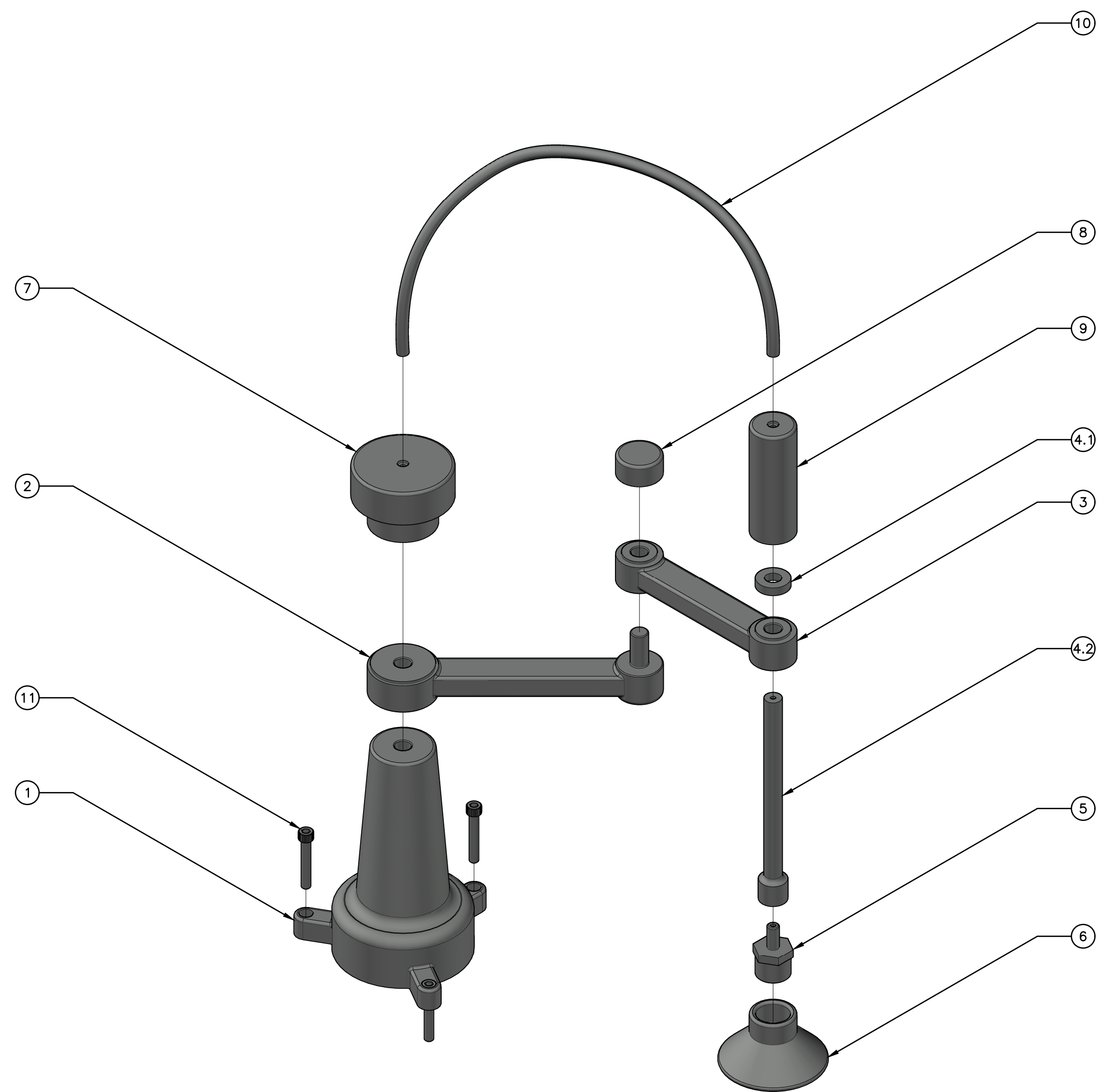
GENERAL NOTES:
ALL FILLETS ARE
.06 UNLESS
OTHERWISE NOTED
ALL CHAMFERS ARE
.02 X 45° UNLESS
OTHERWISE NOTED

PARTS LIST

ITEM	QTY.	PART NAME
1	1	BASE E-01
2	1	ARM E-01
3	1	ARM E-02
4.1	1	SLIDING TUBE TOP
4.2	1	SLIDING TUBE BOTTOM
5	1	VACUUM CONNECTOR
6	1	VACUUM CUP
7	1	BASE CAP
8	1	ELBOW CAP
9	1	VACUUM CAP
10	1	VACUUM LINE
11	3	SOCKET HEAD CAP SCREW

LEGEND:

- ∅ DIAMETER
- R RADIUS
- DEGREES
- | | COUNTERBORE
- ∇ DEPTH

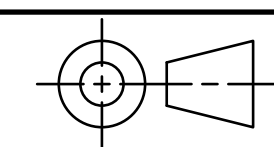


ROBOTIC ARM
EXPLODED ASSEMBLY
SCALE 1:2



Space Themed Toys and Puzzles

Sebastian Zepeda
Phones: (707) 337-5558
CosmicToysAndPuzzles@gmail.com
http://ddgt.net/StudentPages/szepeda



TOLERANCES UNLESS SPECIFIED:
DECIMAL INCHES:
X = ±.020
XX = ±.010
XXX = ±.005
FRACTIONAL ±1/64"
ANGLES ±1 DEGREE
SURFACES 32

CLASS: DDGT 241

ASSIGNMENT #: #9

AUTOCAD DRAWING NAME:
ROBOTIC ARM

FIG #: 1058

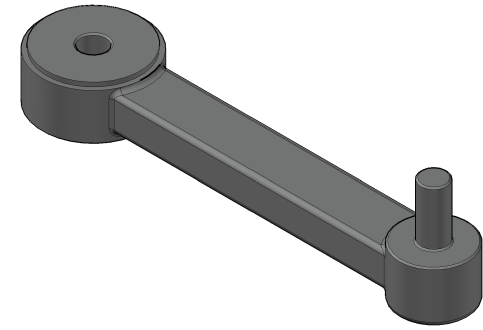
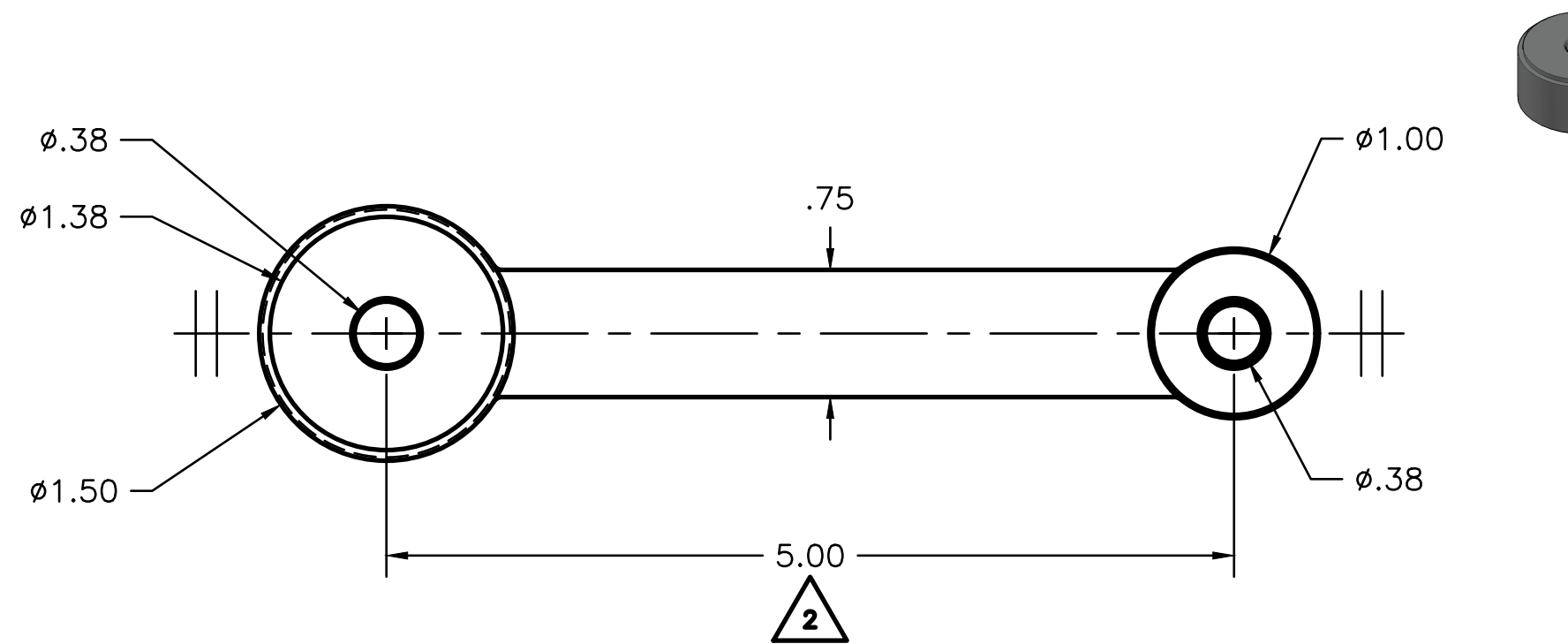
MANAGER: G. STROMMEN

DRAFTER: S. ZEPEDA

DATE: 2/28/2024

SCALE: AS NOTED

PAGE #: 2 OF 5



LEGEND:

- ∅ DIAMETER
- R RADIUS
- ° DEGREES
- | | COUNTERBORE
- ▽ DEPTH

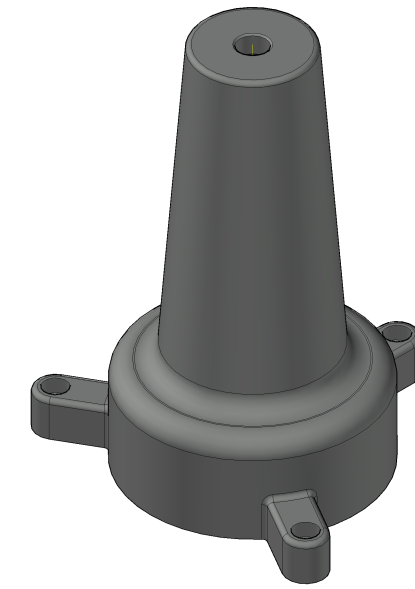
PARTS LIST		
ITEM	QTY.	PART NAME
1	1	BASE E-01
2	1	ARM E-01



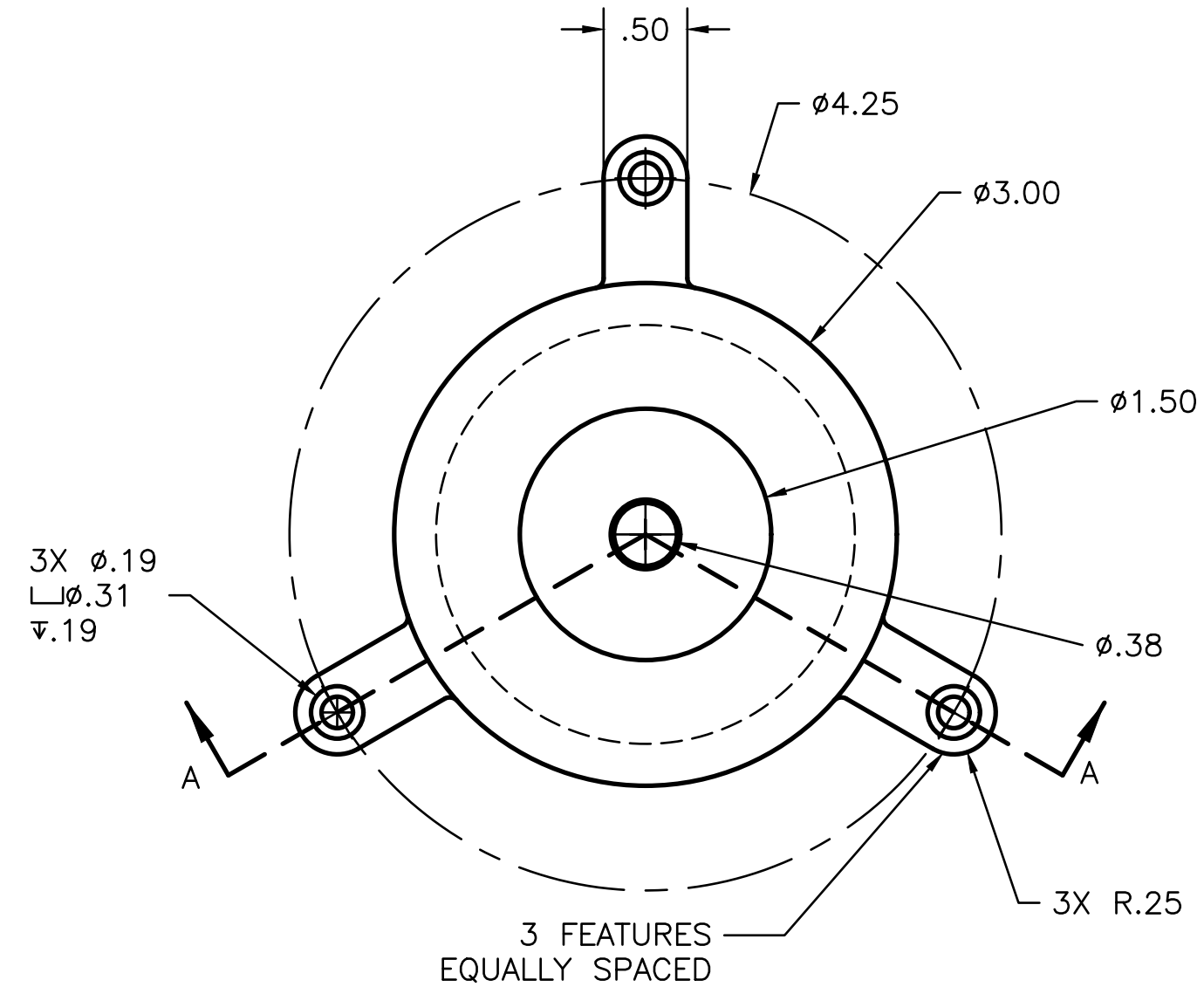
DIGITAL DESIGN
GRAPHICS
TECHNOLOGY

WWW.DDGT.NET

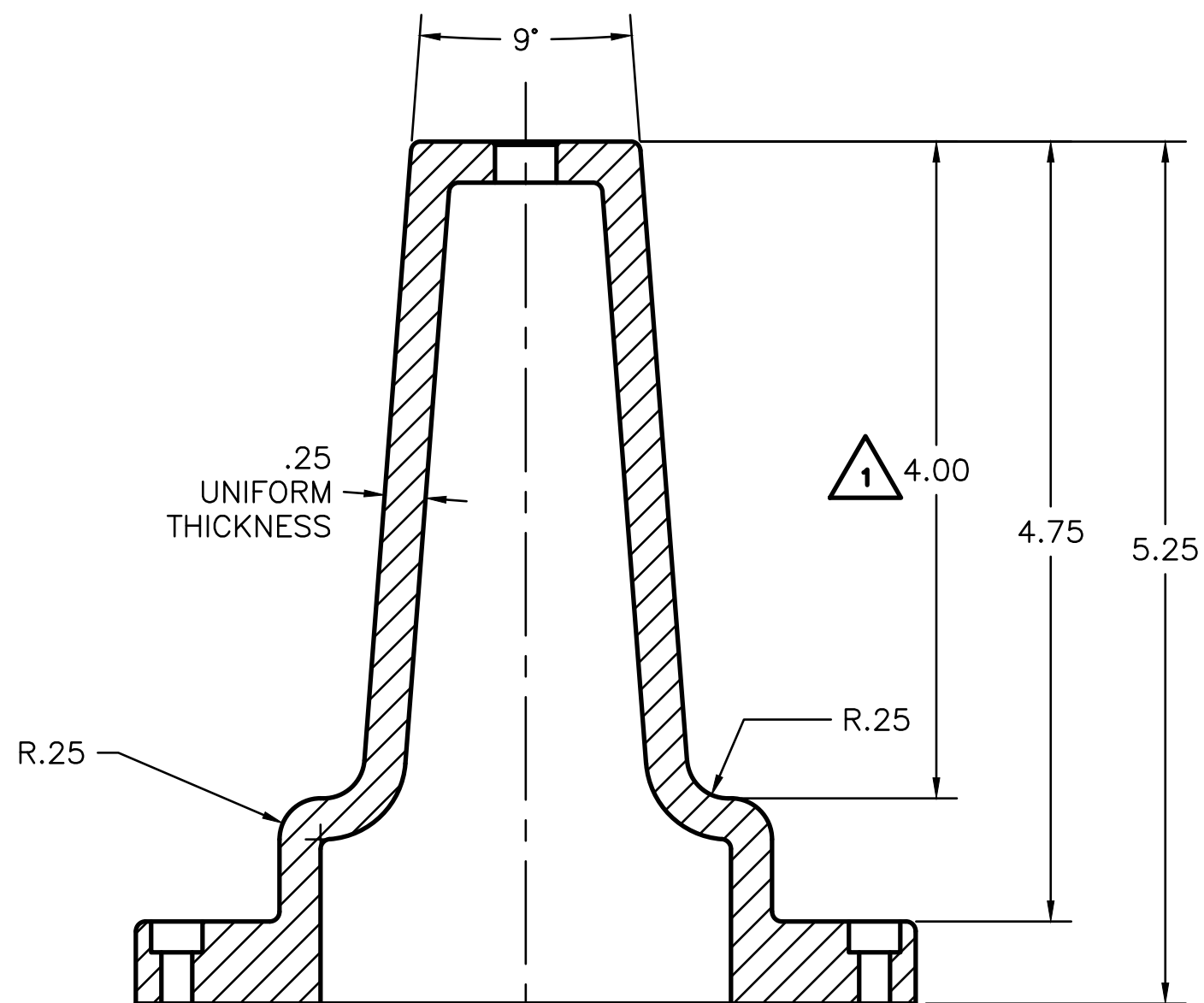
GENERAL NOTES:
ALL FILLETS ARE
.06 UNLESS
OTHERWISE NOTED
ALL CHAMFERS ARE
.02 X 45° UNLESS
OTHERWISE NOTED



ARM E-01
SCALE 1:1

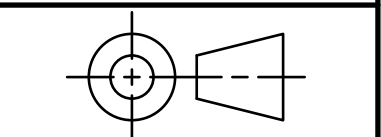


BASE E-01
SCALE 1:1



SECTION A-A
SCALE 1:1

**Cosmic
Carpenteries**
Space Themed Toys and Puzzles
Sebastian Zepeda
Phones: (707) 337-5558
CosmicToysAndPuzzles@gmail.com
http://ddgt.net/StudentPages/szepeda



TOLERANCES UNLESS SPECIFIED:
DECIMAL INCHES:
X = ±.020
XX = ±.010
XXX = ±.005
FRACTIONAL ±1/64"
ANGLES ±1 DEGREE
SURFACES 32/

CLASS: DDGT 241

ASSIGNMENT #: #9

AUTOCAD DRAWING NAME:
ROBOTIC ARM

FIG #: 1058

MANAGER: G. STROMMEN

DRAFTER: S. ZEPEDA

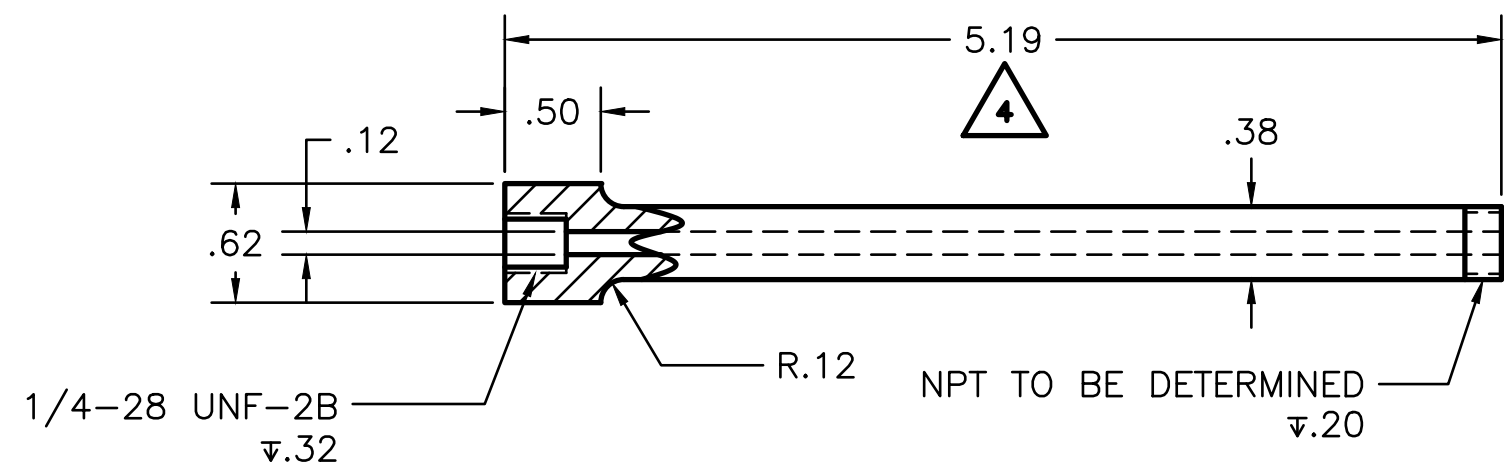
DATE: 2/28/2024

SCALE: AS NOTED

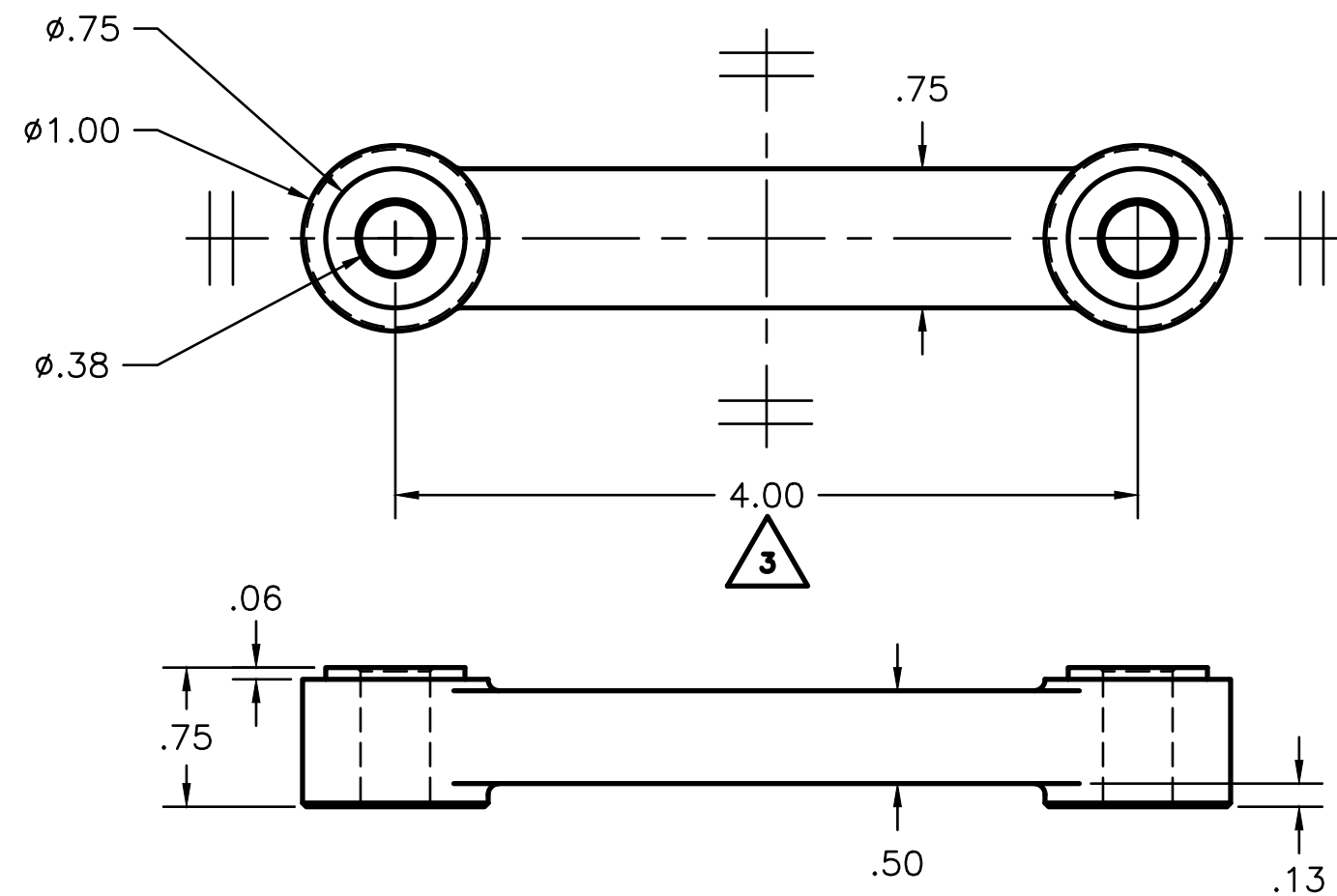
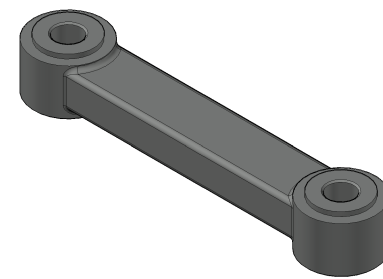
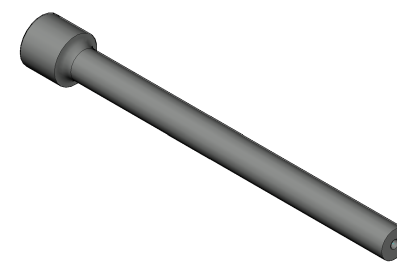
PAGE #: 3 OF 5

REV #	DATE	DESCRIPTION	APPROVED BY
2	2/20/2024	LENGTH OF ARM E-01 CHANGED FROM 4.50" TO 5.00"	G. STROMMEN
1	2/20/2024	HEIGHT OF BASE E-01 CHANGED FROM 3.00" TO 4.00"	G. STROMMEN

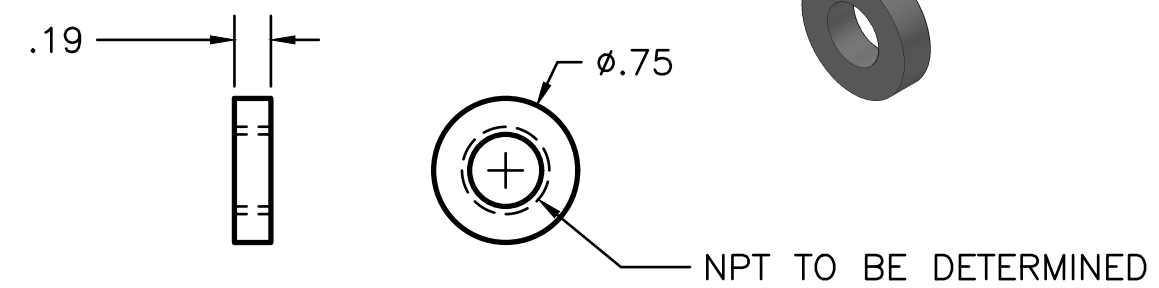
REVISION TABLE



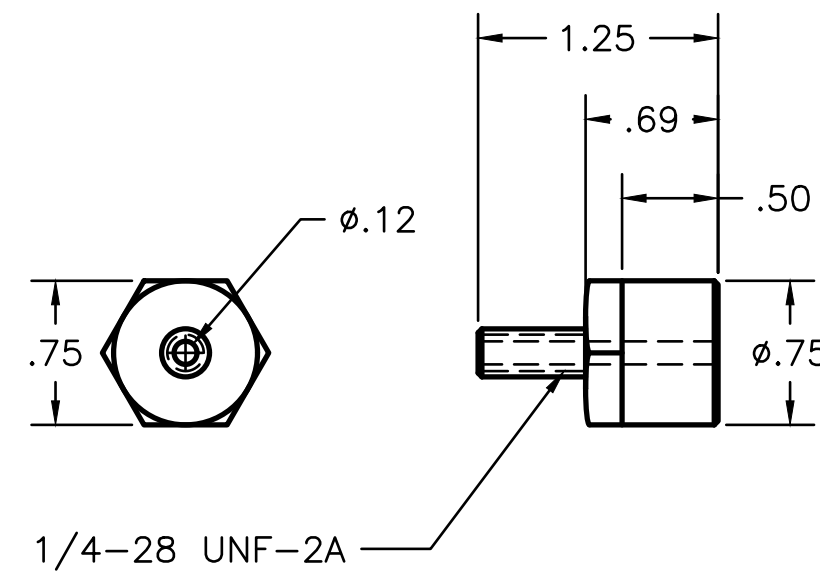
SLIDING TUBE BOTTOM
SCALE 1:1



ARM E-02
SCALE 1:1



SLIDING TUBE TOP
SCALE 1:1



VACUUM CONNECTOR
SCALE 1:1

PARTS LIST

ITEM	QTY.	PART NAME
3	1	ARM E-02
4	1	SLIDING TUBE SUB-ASSEMBLY
4.1	1	SLIDING TUBE TOP
4.2	1	SLIDING TUBE BOTTOM
5	1	VACUUM CONNECTOR

LEGEND:

- ∅ DIAMETER
- R RADIUS
- ° DEGREES
- | | COUNTERBORE
- ∇ DEPTH



DIGITAL DESIGN
GRAPHICS
TECHNOLOGY

WWW.DDGT.NET

GENERAL NOTES:

ALL FILLETS ARE
.06 UNLESS
OTHERWISE NOTED
ALL CHAMFERS ARE
.02 X 45° UNLESS
OTHERWISE NOTED



Space Themed Toys and Puzzles

Sebastian Zepeda

Phones: (707) 337-5558
CosmicToysAndPuzzles@gmail.com
http://ddgt.net/StudentPages/szepeda

TOLERANCES UNLESS SPECIFIED:
DECIMAL INCHES:
X = ±.020
XX = ±.010
XXX = ±.005
FRACTIONAL ±1/64"
ANGLES ±1 DEGREE
SURFACES 32/

CLASS: DDGT 241

ASSIGNMENT #: #9

AUTOCAD DRAWING NAME:
ROBOTIC ARM

FIG #: 1058

MANAGER: G. STROMMEN

DRAFTER: S. ZEPEDA

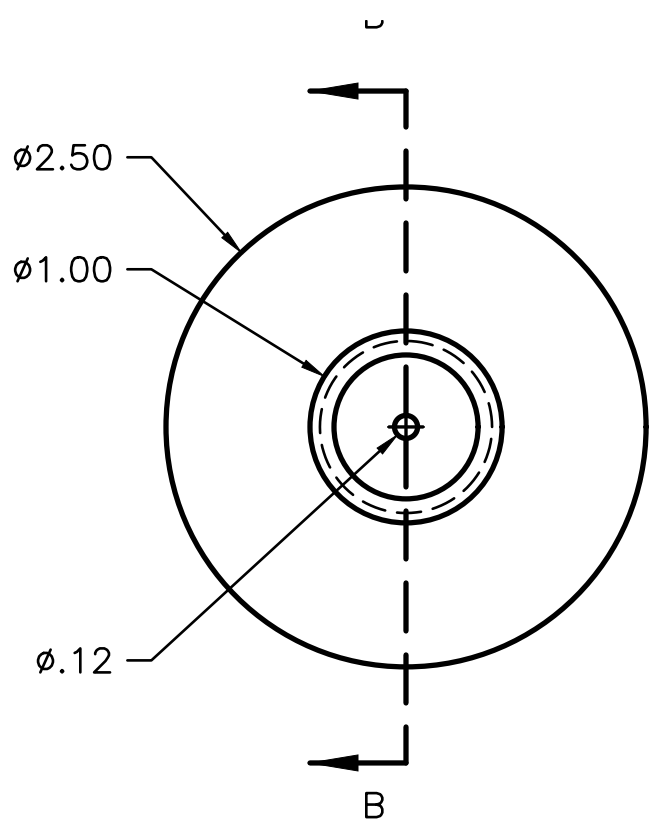
DATE: 2/28/2024

SCALE: AS NOTED

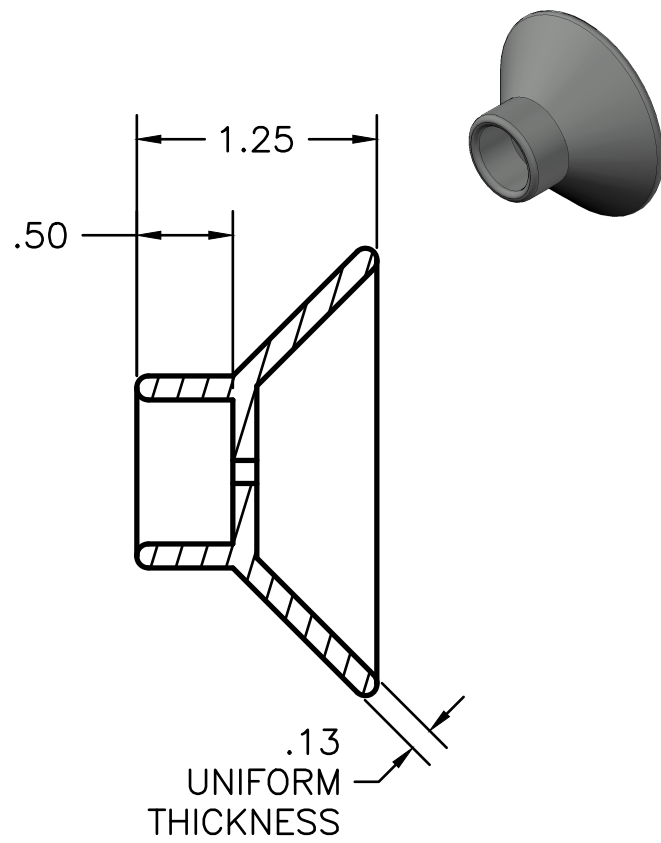
PAGE #: 4 OF 5

REV #	DATE	DESCRIPTION	APPROVED BY
4	2/20/2024	LENGTH OF SLIDING TUBE CHANGED FROM 4.19" TO 5.19"	G. STROMMEN
3	2/20/2024	LENGTH OF ARM E-02 CHANGED FROM 3.50" TO 4.00"	G. STROMMEN

REVISION TABLE



VACUUM CUP
SCALE 1:1



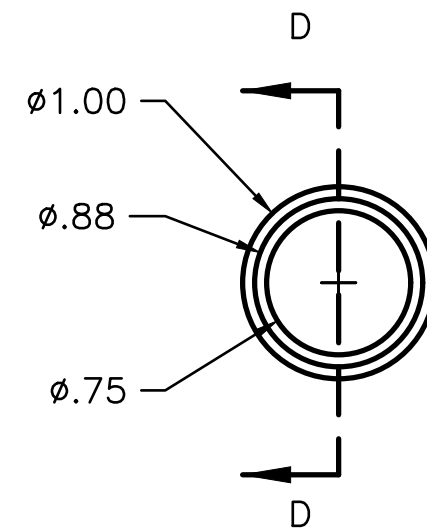
SECTION B-B
SCALE 1:1

LEGEND:
 ∅ DIAMETER
 R RADIUS
 ° DEGREES
 | | COUNTERBORE
 ▽ DEPTH

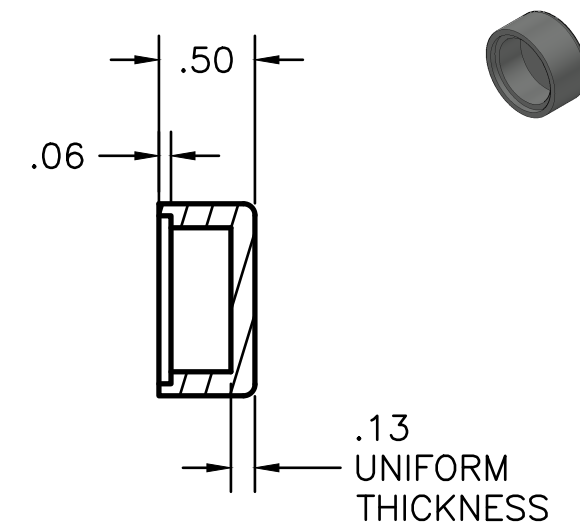
PARTS LIST		
6	1	VACUUM CUP
7	1	BASE CAP
8	1	ELBOW CAP
9	1	VACUUM CAP

DDGT
 DIGITAL DESIGN
 GRAPHICS
 TECHNOLOGY
 WWW.DDGT.NET

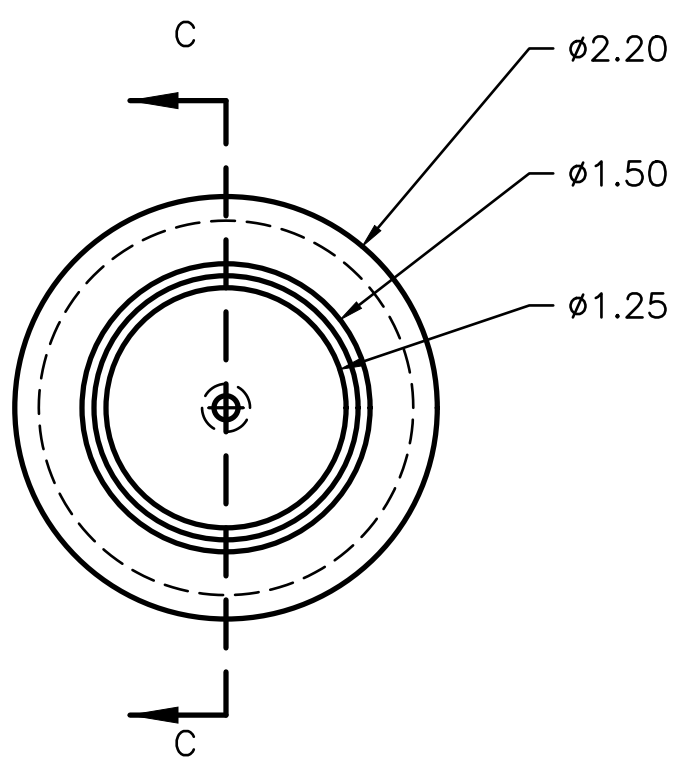
GENERAL NOTES:
 ALL FILLETS ARE
 .06 UNLESS
 OTHERWISE NOTED
 ALL CHAMFERS ARE
 .02 X 45° UNLESS
 OTHERWISE NOTED



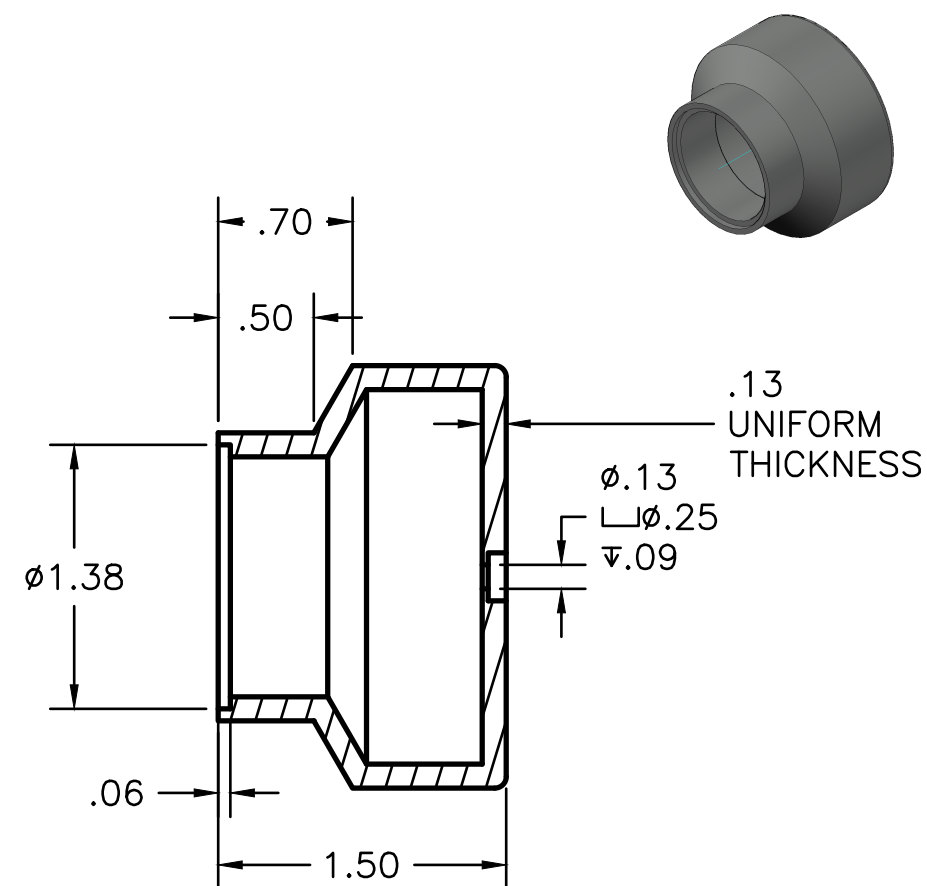
ELBOW CAP
SCALE 1:1



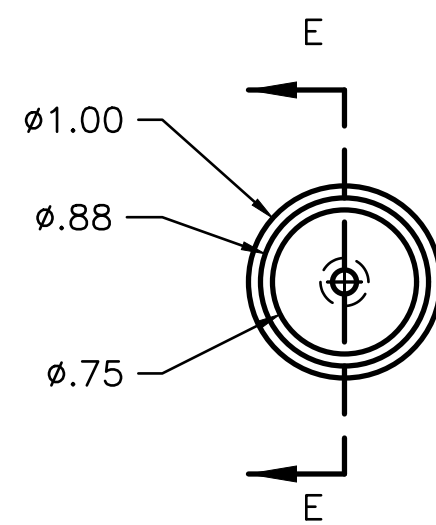
SECTION D-D
SCALE 1:1



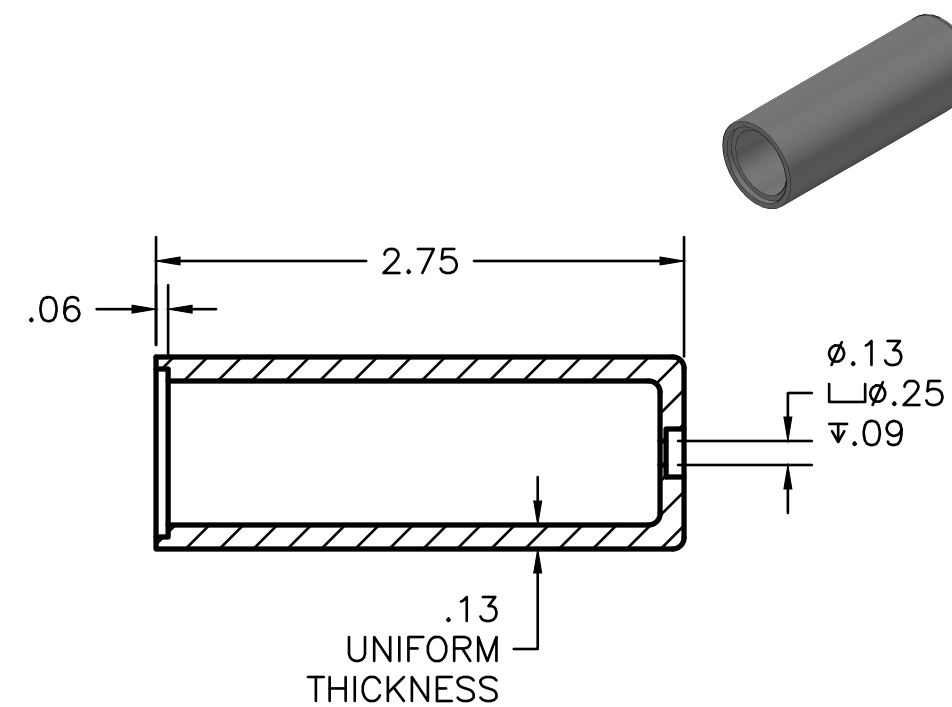
BASE CAP
SCALE 1:1



SECTION C-C
SCALE 1:1

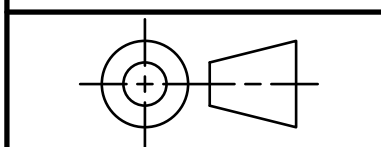


VACUUM CAP
SCALE 1:1



SECTION E-E
SCALE 1:1

**Cosmic
 Curiosities**
 Space Themed Toys and Puzzles
 Sebastian Zepeda
 Phones: (707) 337-5558
 CosmicToysAndPuzzles@gmail.com
 http://ddgt.net/StudentPages/szepeda



TOLERANCES UNLESS SPECIFIED:
 DECIMAL INCHES:
 X = ±.020
 XX = ±.010
 XXX = ±.005
 FRACTIONAL ±1/64"
 ANGLES ±1 DEGREE
 SURFACES 32/

CLASS: DDGT 241
 ASSIGNMENT #: #9
 AUTOCAD DRAWING NAME:
 ROBOTIC ARM
 FIG #: 1058
 MANAGER: G. STROMMEN
 DRAFTER: S. ZEPEDA
 DATE: 2/28/2024
 SCALE: AS NOTED
 PAGE #: 5 OF 5