

PARTS LIST

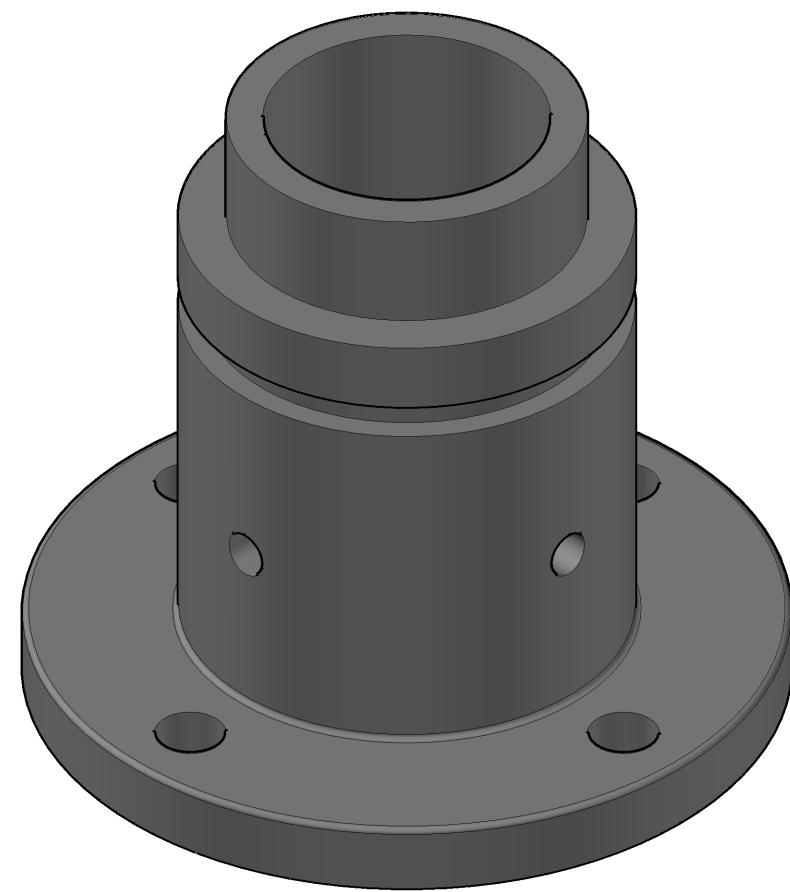
ITEM	QTY.	PART NAME	MATERIAL
1	QTY.	CONNECTOR	SAE1110



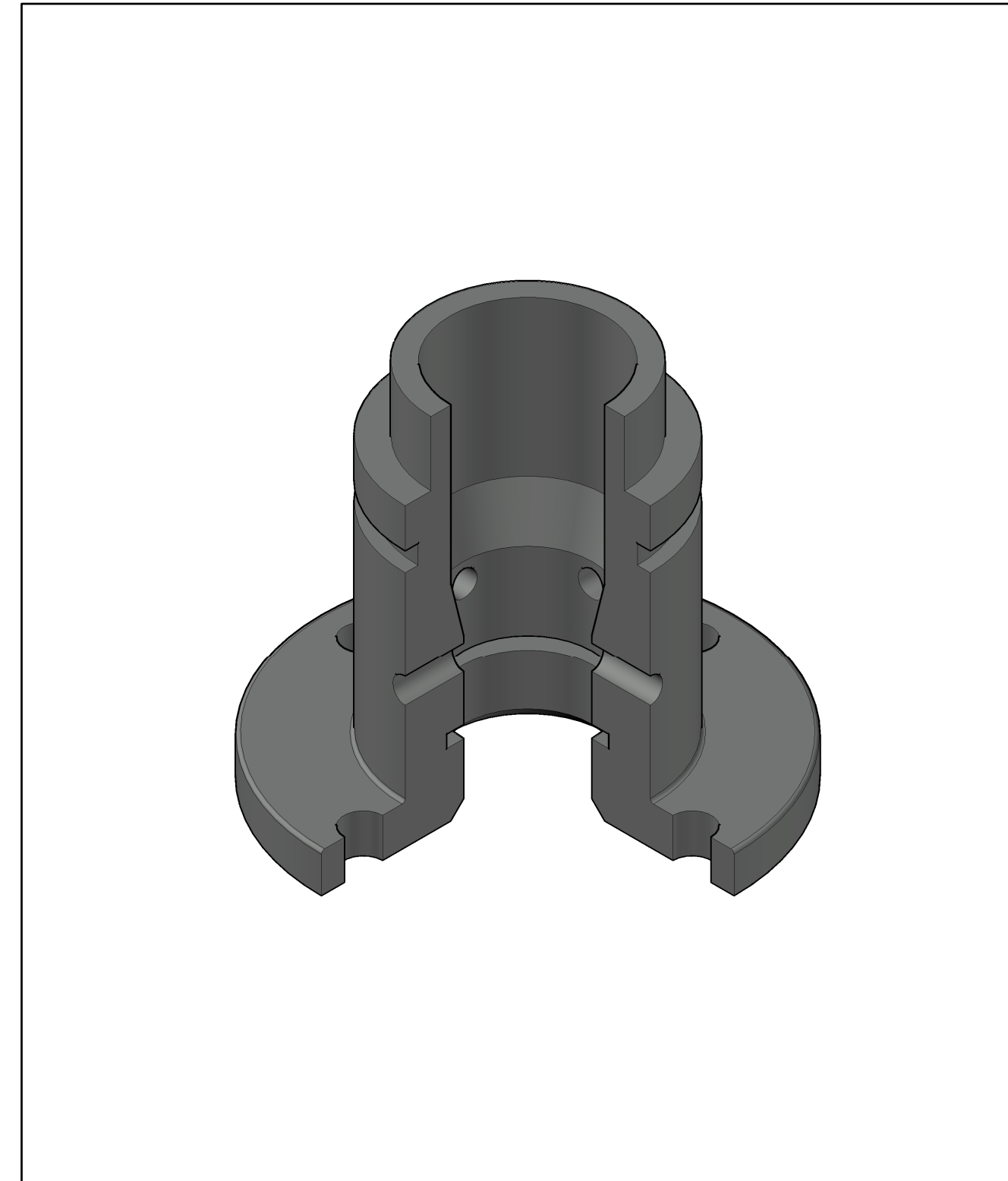
DIGITAL DESIGN
GRAPHICS
TECHNOLOGY

WWW.DDGT.NET

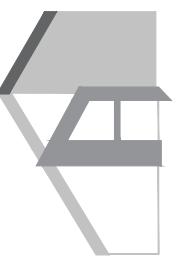
GENERAL NOTES:
PHYSICAL PRINTED
PART IS AT 1:1



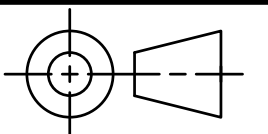
CONNECTOR
SCALE 1:1



CONNECTOR
3/4 SECTION VIEW
SCALE 1:1



Tamya Vidales
Design Drafter
tamya@ddgt.com
707-501-3803
www.ddgt.net
Napa Valley



TOLERANCES UNLESS SPECIFIED:
DECIMAL INCHES:
X = ±.020
XX = ±.010
XXX = ±.005
FRACTIONAL ±1/64"
ANGLES ±1 DEGREE
SURFACES \sqrt{R}

CLASS: DDGT121

ASSIGNMENT NO.: 33

AUTOCAD DRAWING NAME:
CONNECTOR

FIG NO.: 13-48

MANAGER: G. STROMMEN

DRAFTER: T. VIDALES

DATE: 5.16.2024

SCALE: AS NOTED

PAGE NO.: 1 OF 3

PARTS LIST

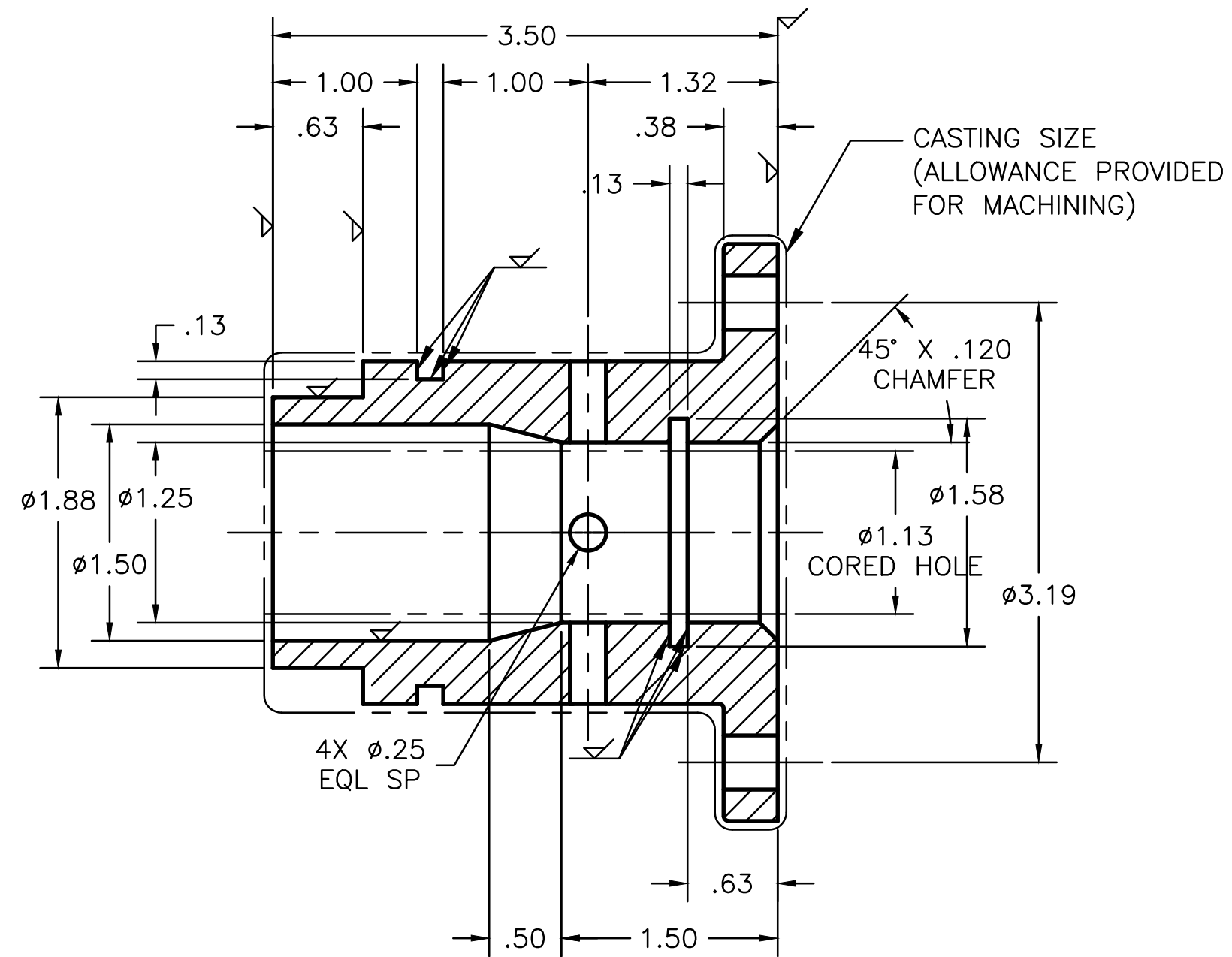
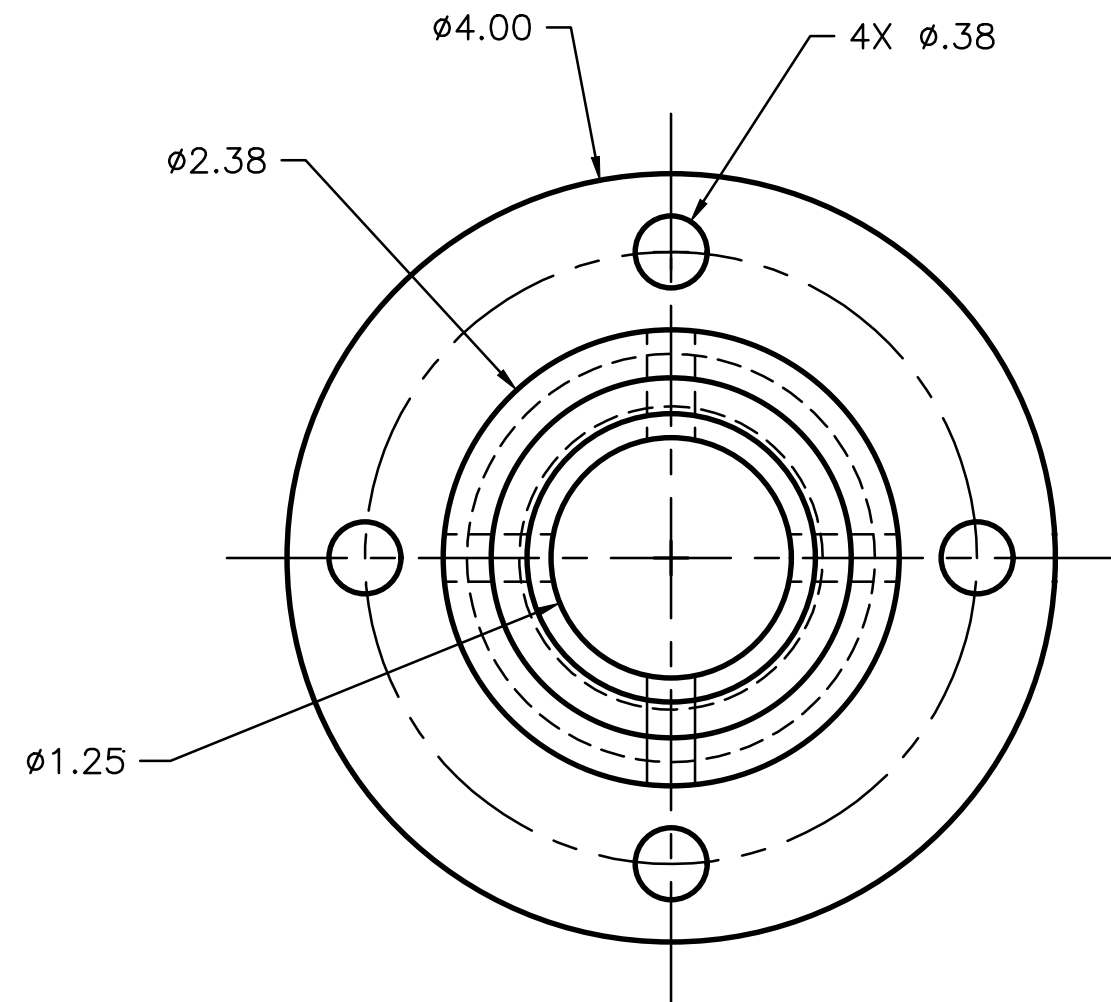
ITEM	QTY.	PART NAME
1	QTY.	CONNECTOR



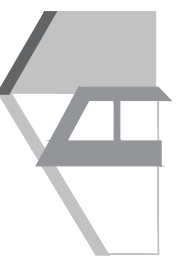
DIGITAL DESIGN
GRAPHICS
TECHNOLOGY

WWW.DDGT.NET

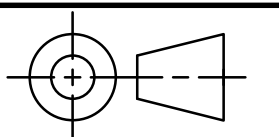
GENERAL NOTES:
PHYSICAL PRINTED
PART IS AT 1:1



WORKING DRAWING OF A CAST PART
SCALE 1:1



Tammya Vidales
Design Drafter
tammya.drafting@gmail.com
707-501-3803
www.ddgt.net
Napa Valley



TOLERANCES UNLESS SPECIFIED:
DECIMAL INCHES:
X = ±.020
XX = ±.010
XXX = ±.005
FRACTIONAL ±1/64"
ANGLES ±1 DEGREE
SURFACES 32

CLASS: DDGT121

ASSIGNMENT NO.: 33

AUTOCAD DRAWING NAME:
CONNECTOR

FIG NO.: 13-48

MANAGER: G. STROMMEN

DRAFTER: T. VIDALES

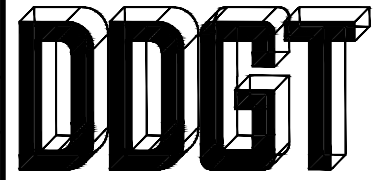
DATE: 5.16.2024

SCALE: AS NOTED

PAGE NO.: 2 OF 3

PARTS LIST

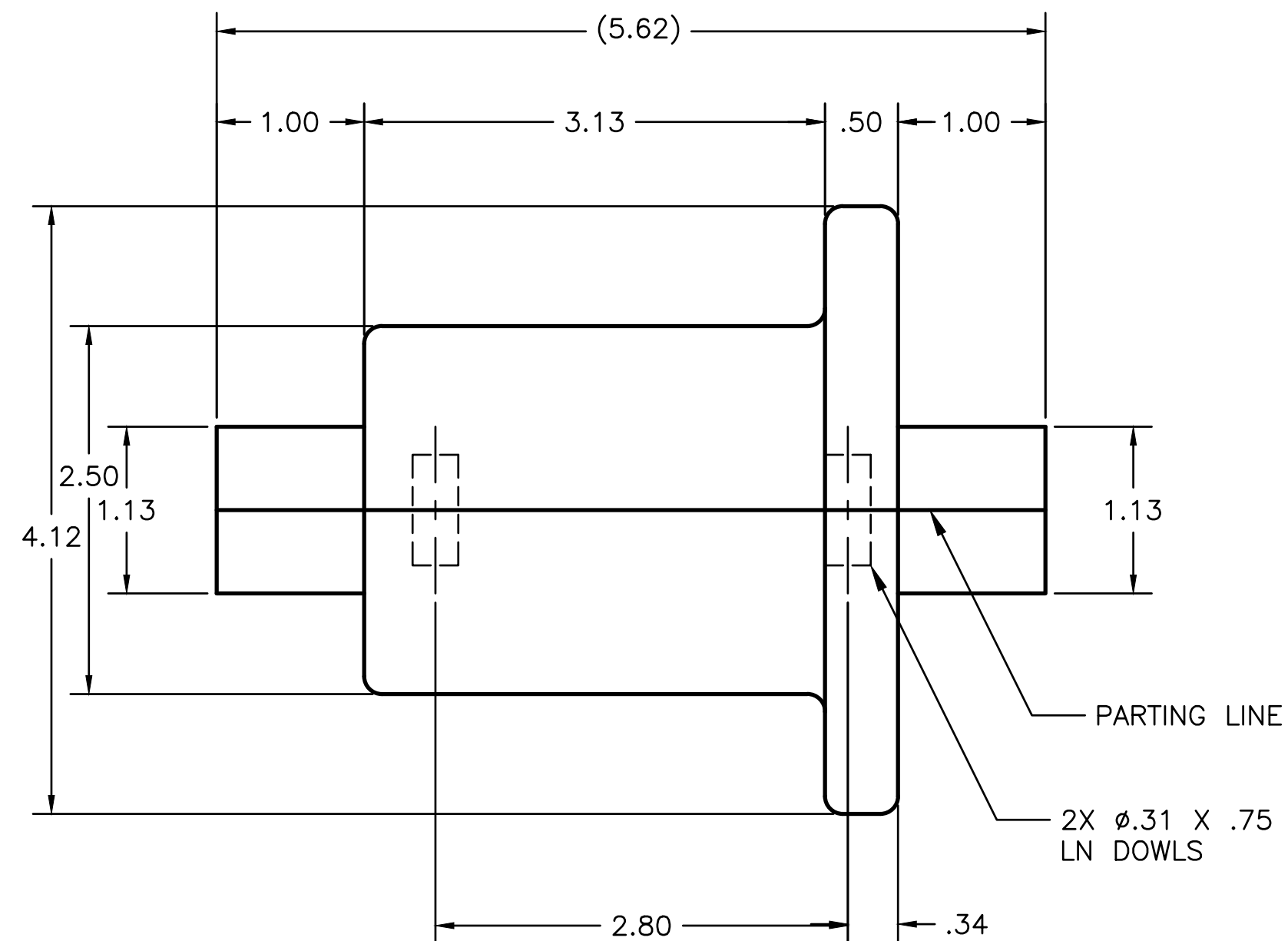
ITEM	QTY.	PART NAME
1	QTY.	CONNECTOR



DIGITAL DESIGN
GRAPHICS
TECHNOLOGY

WWW.DDGT.NET

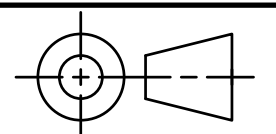
GENERAL NOTES:
ROUNDS AND
FILLETS R.12
UNLESS OTHERWISE
NOTED



PATTERN DRAWING FOR THE CAST PART
SCALE 1:1



Tamya Vidales
Design Drafter
tamya@ddgt.com
707-501-3803
www.ddgt.net
Napa Valley



TOLERANCES UNLESS SPECIFIED:
DECIMAL INCHES:
X = \pm .020
XX = \pm .010
XXX = \pm .005
FRACTIONAL \pm 1/64"
ANGLES \pm 1 DEGREE
SURFACES $\frac{32}{\sqrt{}}$

CLASS: DDGT121

ASSIGNMENT NO.: 33

AUTOCAD DRAWING NAME:
CONNECTOR

FIG NO.: 13-48

MANAGER: G. STROMMEN

DRAFTER: T. VIDALES

DATE: 5.16.2024

SCALE: AS NOTED

PAGE NO.: 3 OF 3