

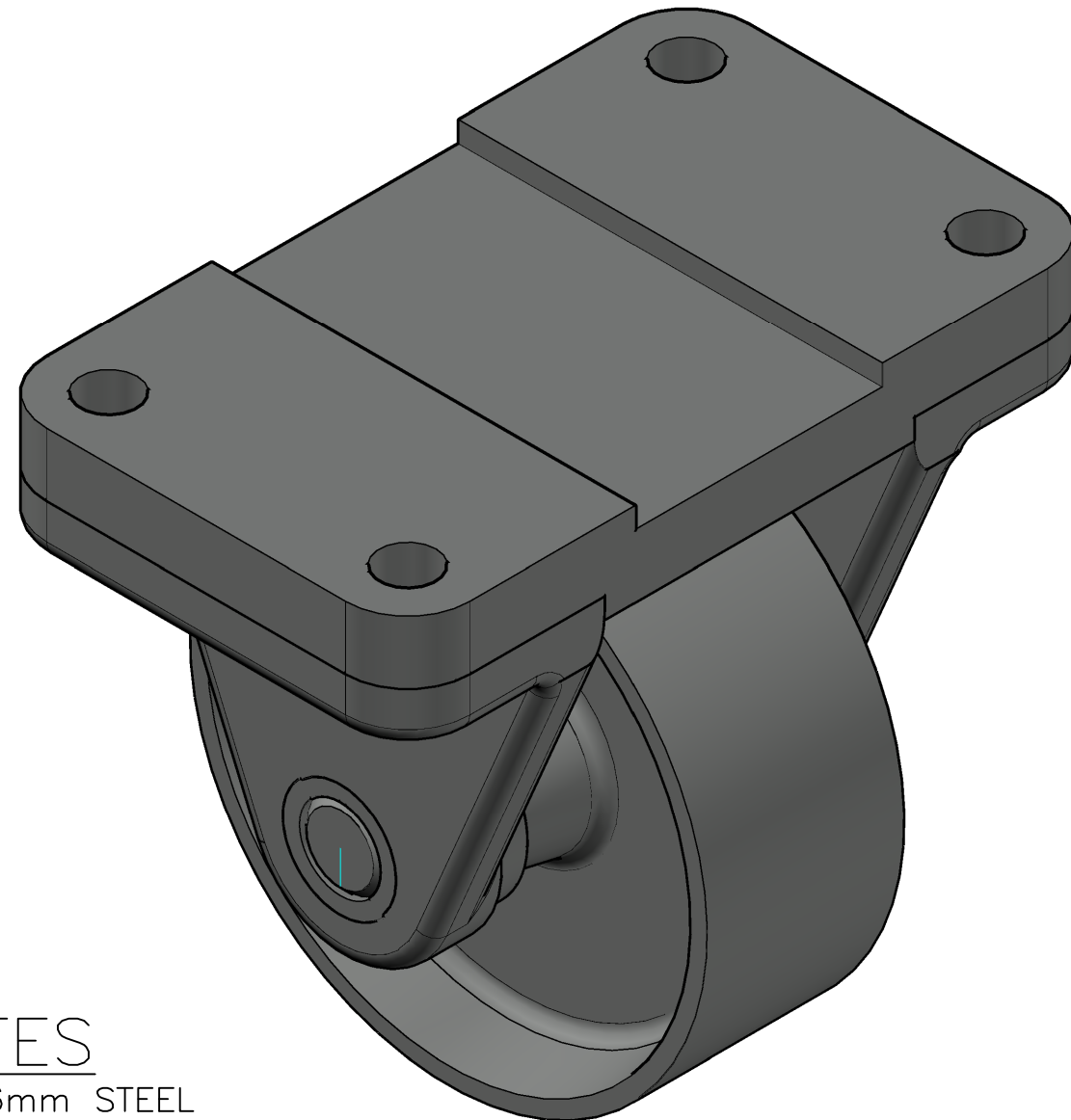
PARTS LIST

ITEM	QTY.	PART NAME	MATERIAL
1	1	TOP PLATE	MALLEABLE IRON
2	1	WHEEL	MALLEABLE IRON
3	2	AXLE SUPPORT	MALLEABLE IRON
4	1	AXLE	SAE 1020
5	2	BUSHING	BRONZE



DIGITAL DESIGN
GRAPHICS
TECHNOLOGY

WWW.DDGT.NET



METRIC

GENERAL NOTES

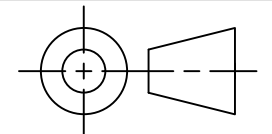
FASTEN ASSEMBLY TO A 6mm STEEL PLATE BY FOUR 10X40mm LONG HEX BOKLTS, NUTS AND LOCK WASHERS.

ROUNDS AND FILLETS R3

CASTER ASSEMBLY
SCALE 1:1

LEGEND

- ∅ DIAMETER
- R RADIUS
- ° DEGREES
- ⌊ SPOTFACE/COUNTERBORE



TOLERANCES UNLESS SPECIFIED:
MILLIMETERS = ±.5
X = ±.25
XX = ±.12

FRACTIONAL ±1/64"
ANGLES ±1 DEGREE
SURFACES 32/

CLASS: DDGT120

ASSIGNMENT NO.: 60

AUTOCAD DRAWING NAME:
CASTER ASSEMBLY

FIG NO.: 9-51

MANAGER: G. STROMMEN

DRAFTER: T. VIDALES

DATE: 11.28.2023

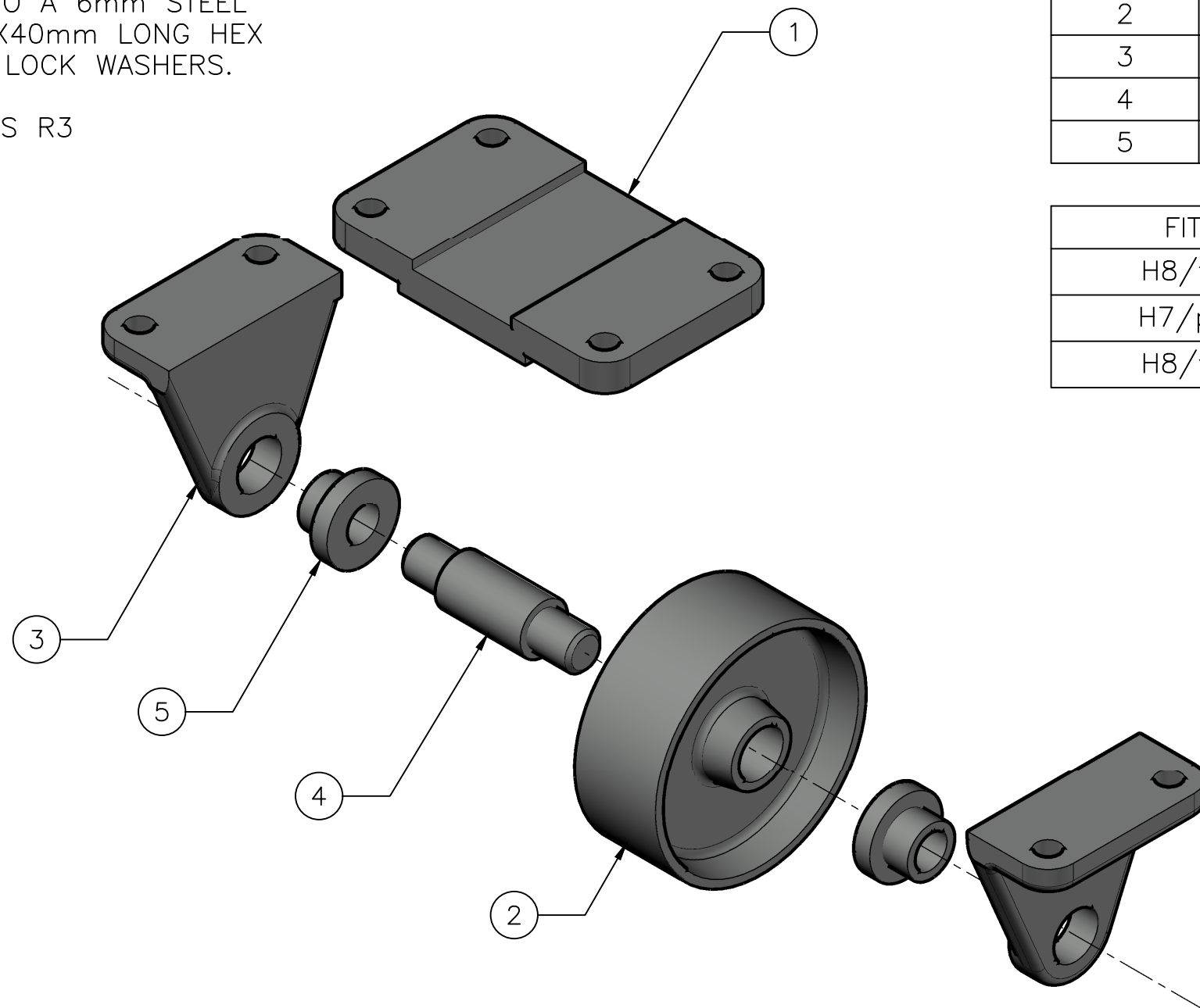
SCALE: AS NOTED

PAGE NO.: 1 OF 4

GENERAL NOTES

FASTEN ASSEMBLY TO A 6mm STEEL PLATE BY FOUR 10X40mm LONG HEX BOLTS, NUTS AND LOCK WASHERS.

ROUNDS AND FILLETS R3



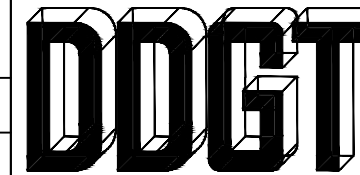
METRIC

CASTER EXPLODED ASSEMBLY
SCALE 1:2

PARTS LIST

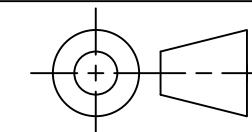
ITEM	QTY.	PART NAME
1	1	TOP PLATE
2	1	WHEEL
3	2	AXLE SUPPORT
4	1	AXLE
5	2	BUSHING

FIT	BETWEEN PARTS
H8/f7	4 AND 5
H7/p6	3 AND 5
H8/f7	2 AND 4



DIGITAL DESIGN
GRAPHICS
TECHNOLOGY

WWW.DDGT.NET



TOLERANCES UNLESS SPECIFIED:
MILLIMETERS = ±.5
X = ±.25
XX = ±.12

FRACTIONAL ±1/64"
ANGLES ±1 DEGREE
SURFACES 32/

CLASS: DDGT120

ASSIGNMENT NO.: 60

AUTOCAD DRAWING NAME:
CASTER ASSEMBLY

FIG NO.: 9-51

MANAGER: G. STROMMEN

DRAFTER: T. VIDALES

DATE: 11.28.2023

SCALE: AS NOTED

PAGE NO.: 2 OF 4

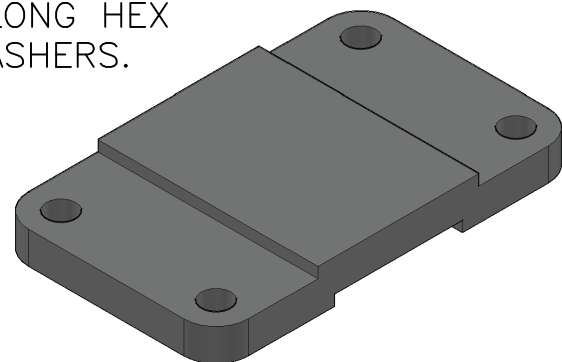
LEGEND

- ∅ DIAMETER
- R RADIUS
- ° DEGREES
- ⌊ SPOTFACE/COUNTERBORE

GENERAL NOTES

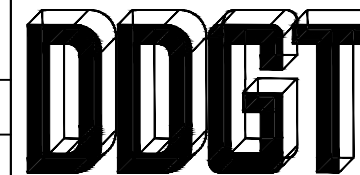
FASTEN ASSEMBLY TO A 6mm STEEL PLATE BY FOUR 10X40mm LONG HEX BOKLTS, NUTS AND LOCK WASHERS.

ROUNDS AND FILLETS R3



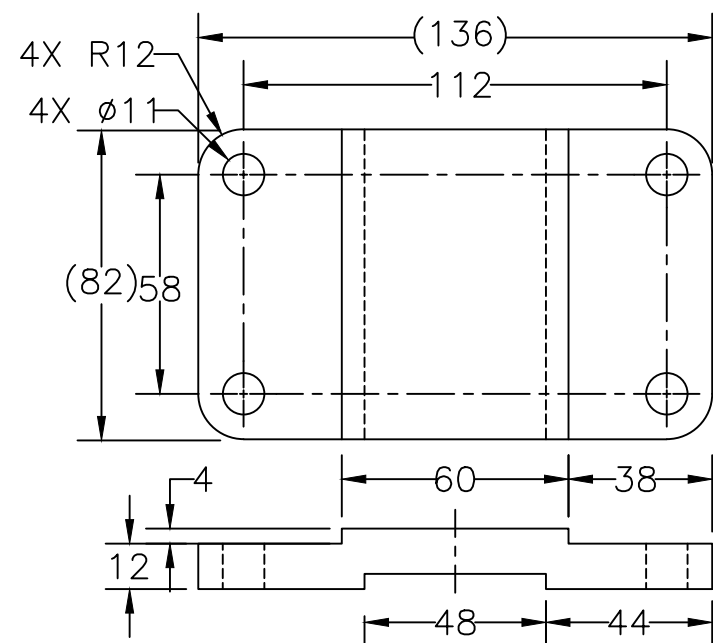
PARTS LIST

ITEM	QTY.	PART NAME
1	1	TOP PLATE
2	1	WHEEL

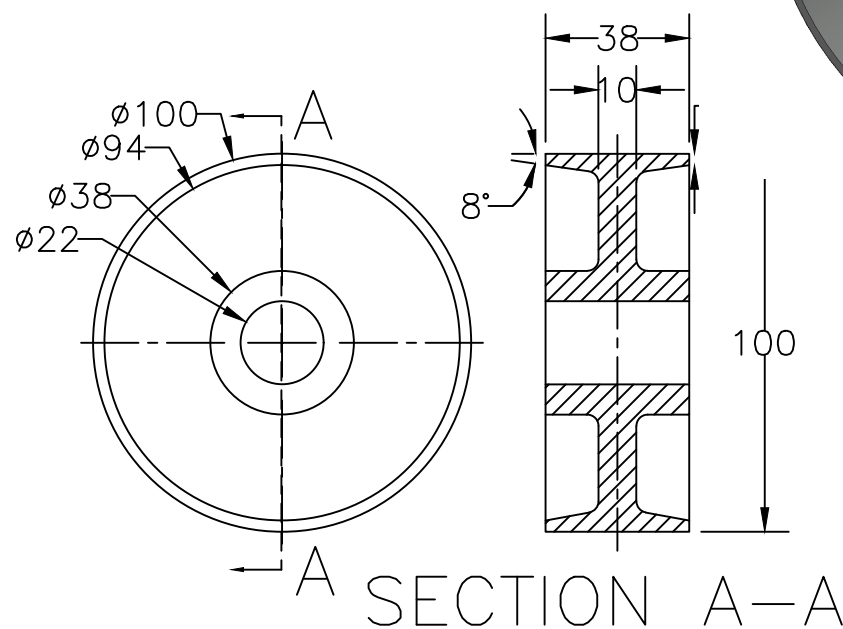


DIGITAL DESIGN
GRAPHICS
TECHNOLOGY

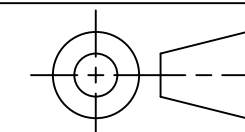
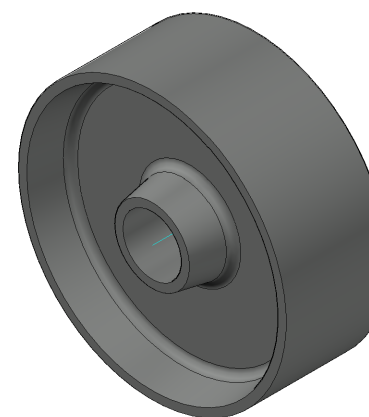
WWW.DDGT.NET



TOP PLATE
SCALE 1:2



WHEEL
SCALE 1:2



TOLERANCES UNLESS SPECIFIED:
MILLIMETERS = ±.5
X = ±.25
XX = ±.12

FRACTIONAL ±1/64"
ANGLES ±1 DEGREE
SURFACES 32/

CLASS: DDGT120

ASSIGNMENT NO.: 60

AUTOCAD DRAWING NAME:
CASTER ASSEMBLY

FIG NO.: 9-51

MANAGER: G. STROMMEN

DRAFTER: T. VIDALES

DATE: 11.28.2023

SCALE: AS NOTED

PAGE NO.: 3 OF 4

METRIC

LEGEND

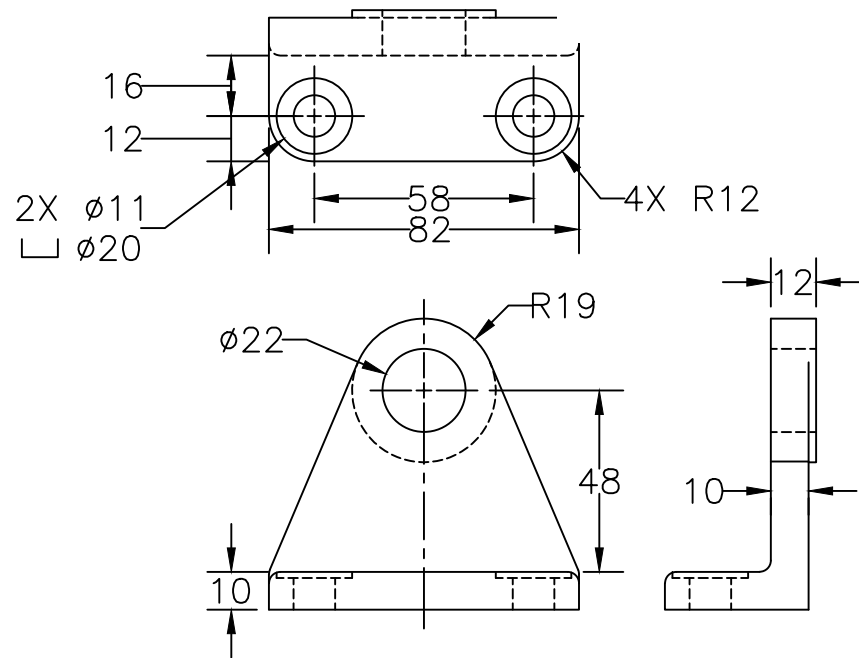
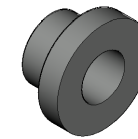
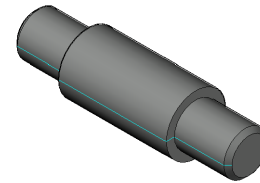
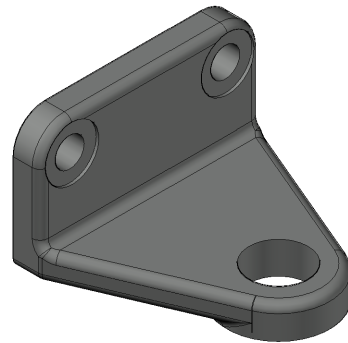
- Ø DIAMETER
- R RADIUS
- ° DEGREES
- SPOTFACE/COUNTERBORE

GENERAL NOTES

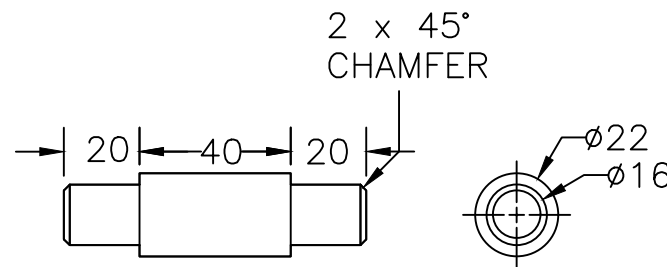
FASTEN ASSEMBLY TO A 6mm STEEL PLATE BY FOUR 10X40mm LONG HEX BOLTS, NUTS AND LOCK WASHERS.

ROUNDS AND FILLETS R3

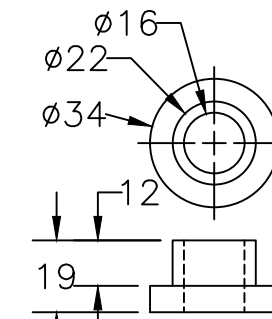
METRIC



AXLE SUPPORT
SCALE 1:2

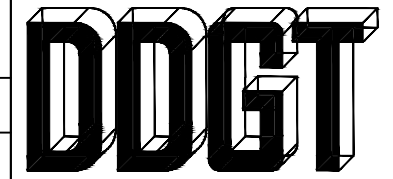


AXLE
SCALE 1:2



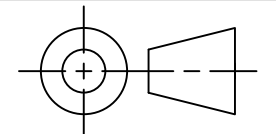
BUSHING
SCALE 1:2

PARTS LIST		
ITEM	QTY.	PART NAME
3	2	AXLE SUPPORT
4	1	AXLE
5	2	BUSHING



DIGITAL DESIGN
GRAPHICS
TECHNOLOGY

WWW.DDGT.NET



TOLERANCES UNLESS SPECIFIED:
MILLIMETERS = ±.5
X = ±.25
XX = ±.12
FRACTIONAL ±1/64"
ANGLES ±1 DEGREE
SURFACES 32/

CLASS: DDGT120

ASSIGNMENT NO.: 60

AUTOCAD DRAWING NAME:
CASTER ASSEMBLY

FIG NO.: 9-51

MANAGER: G. STROMMEN

DRAFTER: T. VIDALES

DATE: 11.28.2023

SCALE: AS NOTED

PAGE NO.: 4 OF 4

LEGEND

- ∅ DIAMETER
- R RADIUS
- ° DEGREES
- SPOTFACE/COUNTERBORE