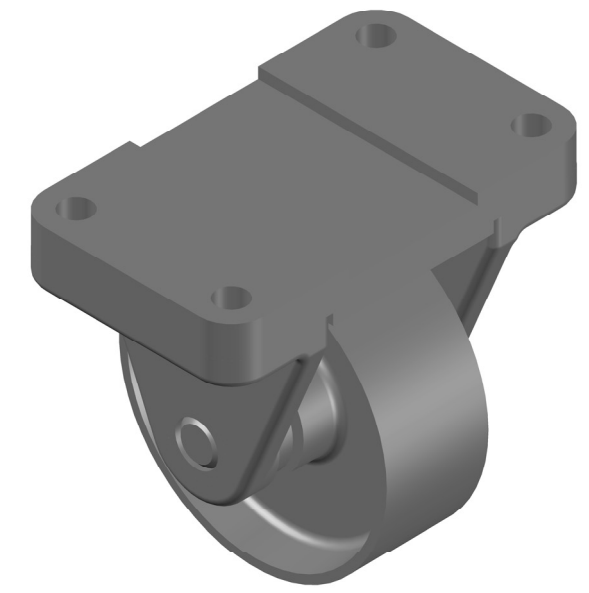
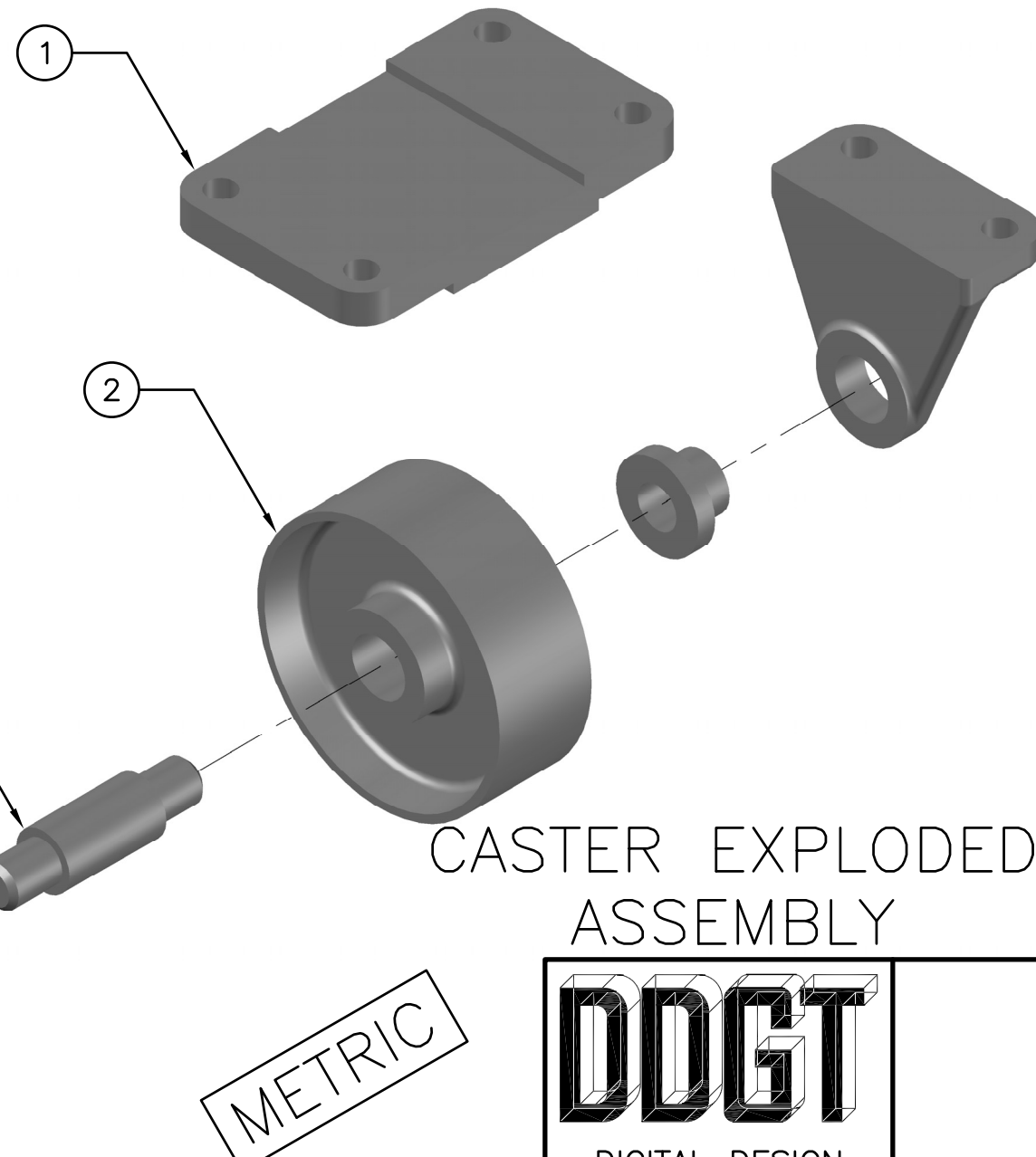


# GENERAL NOTES:

-FASTEN ASSEMBLY TO A 6mm STEEL PLATE BY FOUR M10 X 40mm LG HEX HD BOLTS, NUTS AND LOCK WASHERS, SHOW THE STEEL PLATE IN PHANTOM LINES  
 -ROUNDS AND FILLETS R3

PARTS LIST			
ITEM	QTY	PART NAME	MATERIAL
1	1	TOP PLATE	MALLEABLE IRON
2	1	WHEEL	MALLEABLE IRON
3	2	AXLE SUPPORT	MALLEABLE IRON
4	1	AXLE	SAE 1020
5	2	BUSHING	BRONZE

FIT	BETWEEN PARTS
H8/f7	4 AND 5
H7/p6	3 AND 5
H8/f7	2 AND 4



CASTER EXPLODED ASSEMBLY

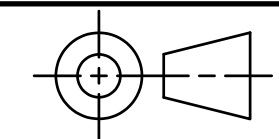
METRIC

## CASTER ASSEMBLY

### LEGEND:

- ° DEGREES
- ∅ DIAMETER
- R RADIUS
- SPOTFACE

**DDGT**  
 DIGITAL DESIGN  
 GRAPHICS  
 TECHNOLOGY  
 WWW.DDGT.NET

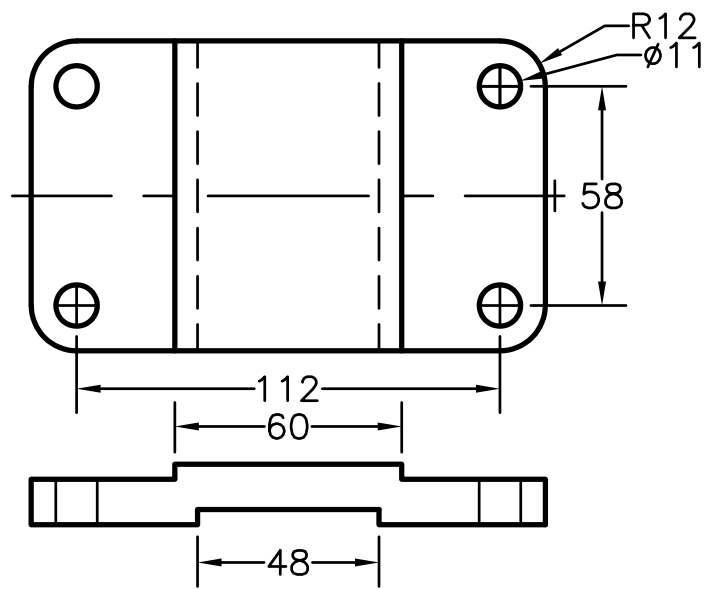


TOLERANCES UNLESS SPECIFIED:  
 MILLIMETER:  
 WHOLE NUMBERS = ±0.5  
 X = ±0.25  
 XX = ±0.12  
 ANGLES ±1 DEGREE  
 SURFACES 32 ✓

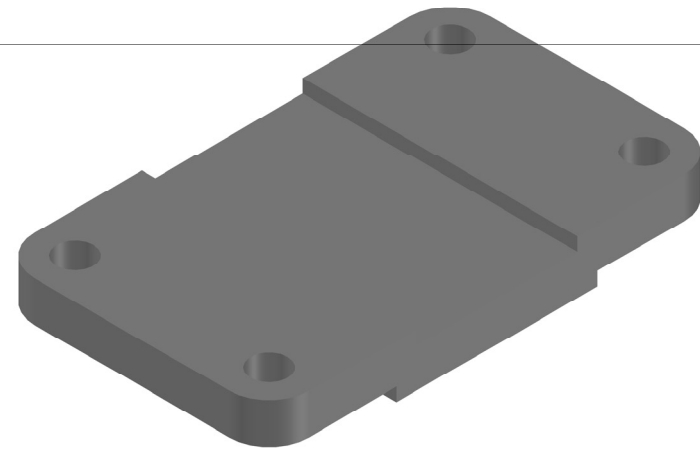
COURSE:	DDGT120
AUTOCAD DRAWING NAME:	CASTER
FIG #:	9-51
DRAFTER:	W. VALLADARES
DATE:	11/14/2018
SCALE:	1:2
PAGE #:	1 OF 3

# PARTS LIST

ITEM	QTY	PART NAME
1	1	TOP PLATE
2	1	WHEEL
3	2	AXLE SUPPORT
4	1	AXLE
5	2	BUSHING

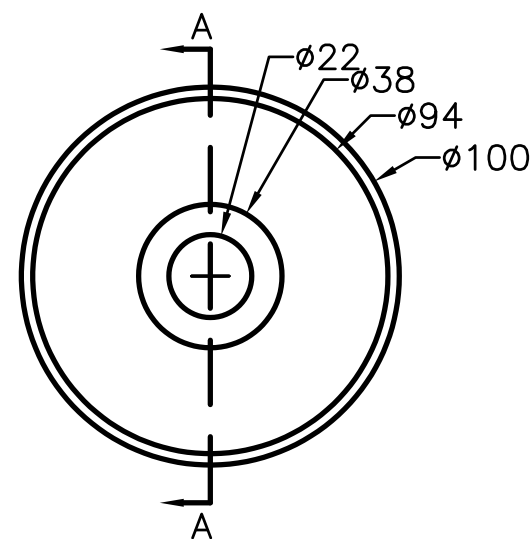


TOP PLATE  
SCALE 1:1

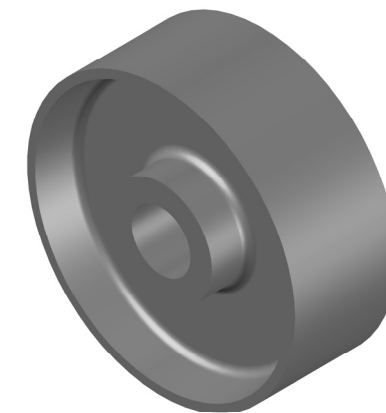
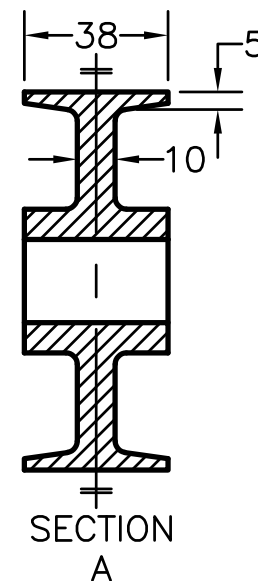


## GENERAL NOTES:

- FASTEN ASSEMBLY TO A 6mm STEEL PLATE BY FOUR M10 X 40mm LG HEX HD BOLTS, NUTS AND LOCK WASHERS, SHOW THE STEEL PLATE IN PHANTOM LINES
- ROUNDS AND FILLETS R3



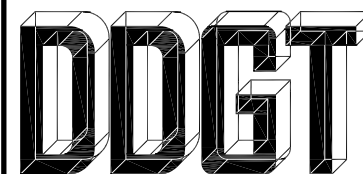
WHEEL  
SCALE 1-1



## LEGEND:

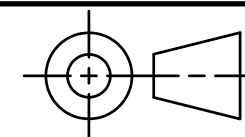
- ° DEGREES
- ø DIAMETER
- R RADIUS
- SPOTFACE

METRIC



DIGITAL DESIGN  
GRAPHICS  
TECHNOLOGY

WWW.DDGT.NET



TOLERANCES UNLESS SPECIFIED:  
MILLIMETER:  
WHOLE NUMBERS = ±0.5  
X = ±0.25  
XX = ±0.12  
ANGLES ±1 DEGREE  
SURFACES 32 ✓

COURSE: DDGT120

AUTOCAD DRAWING NAME:  
CASTER

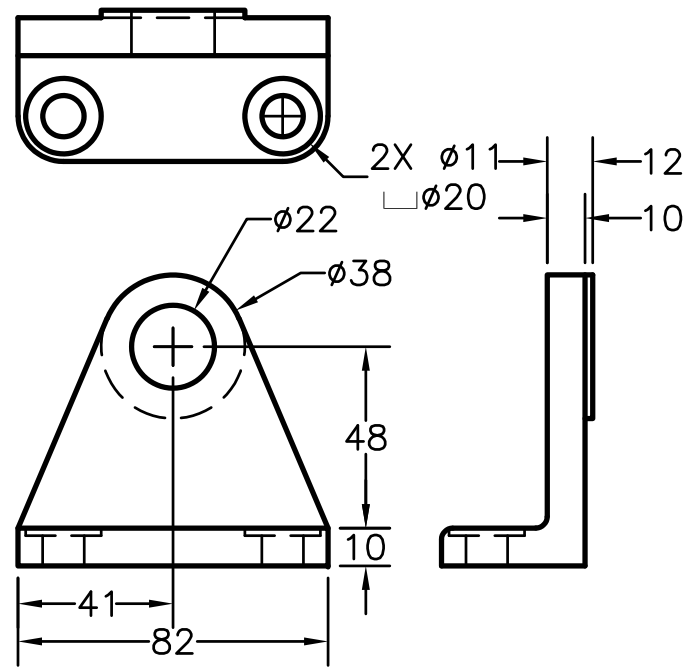
FIG #: FIG 9-51

DRAFTER: W. VALLADARES

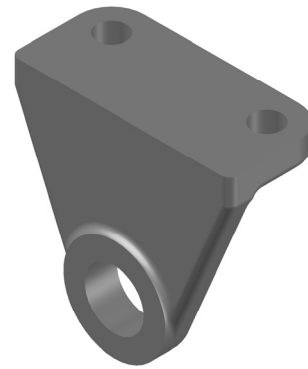
DATE: 11/14/2018

SCALE: AS NOTED

PAGE #: 2 OF 3



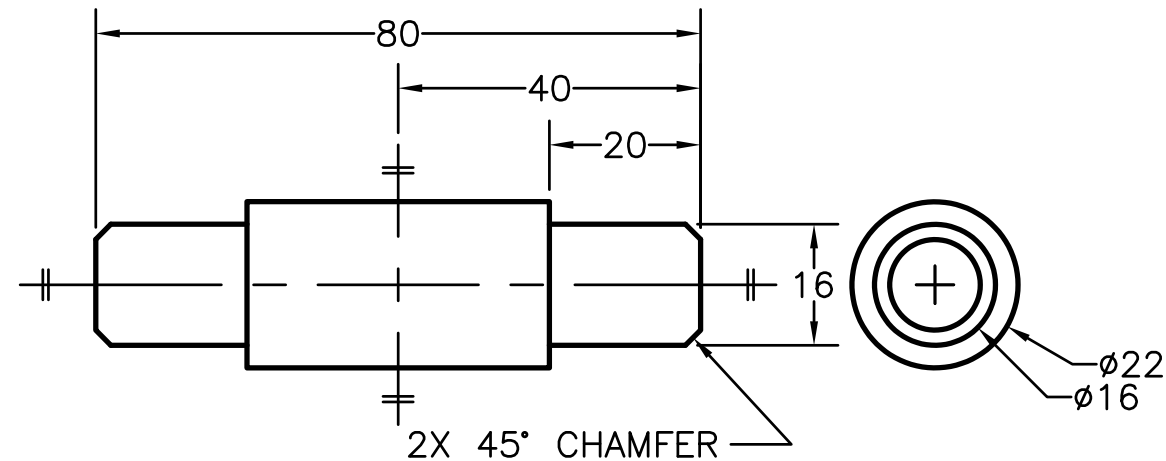
AXLE SUPPORT  
SCALE 1:2



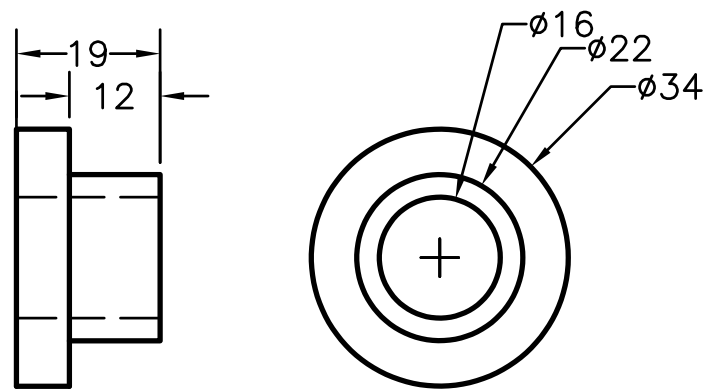
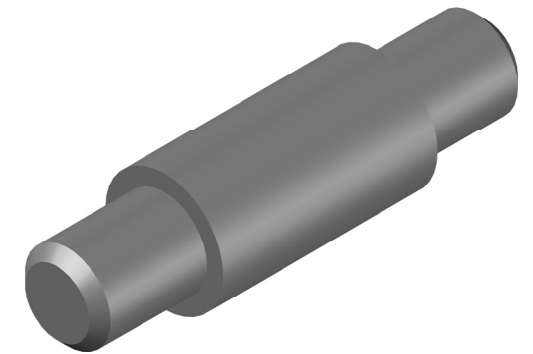
**LEGEND:**

- DEGREES
- ∅ DIAMETER
- R RADIUS
- ┌ SPOTFACE

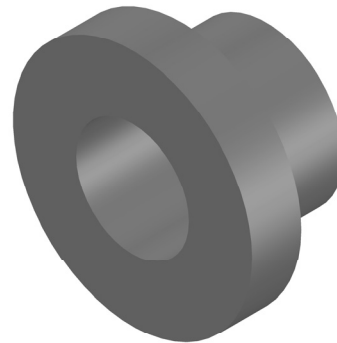
PARTS LIST		
ITEM	QTY	PART NAME
1	1	TOP PLATE
2	1	WHEEL
3	2	AXLE SUPPORT
4	1	AXLE
5	2	BUSHING



AXLE  
SCALE 1:1



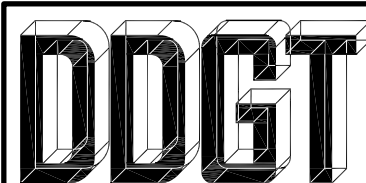
BUSHING  
SCALE 1:1



**GENERAL NOTES:**

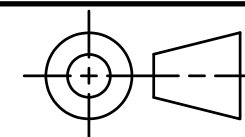
- FASTEN ASSEMBLY TO A 6mm STEEL PLATE BY FOUR M10 X 40mm LG HEX HD BOLTS, NUTS AND LOCK WASHERS, SHOW THE STEEL PLATE IN PHANTOM LINES
- ROUNDS AND FILLETS R3

METRIC



DIGITAL DESIGN  
GRAPHICS  
TECHNOLOGY

WWW.DDGT.NET



TOLERANCES UNLESS SPECIFIED:  
MILLIMETER:  
WHOLE NUMBERS = ±0.5  
X = ±0.25  
XX = ±0.12  
ANGLES ±1 DEGREE  
SURFACES 32/√

COURSE: DDGT120

AUTOCAD DRAWING NAME:  
CASTER

FIG #: FIG 9-51

DRAFTER: W. VALLADARES

DATE: 11/14/2018

SCALE: AS NOTED

PAGE #: 3 OF 3