

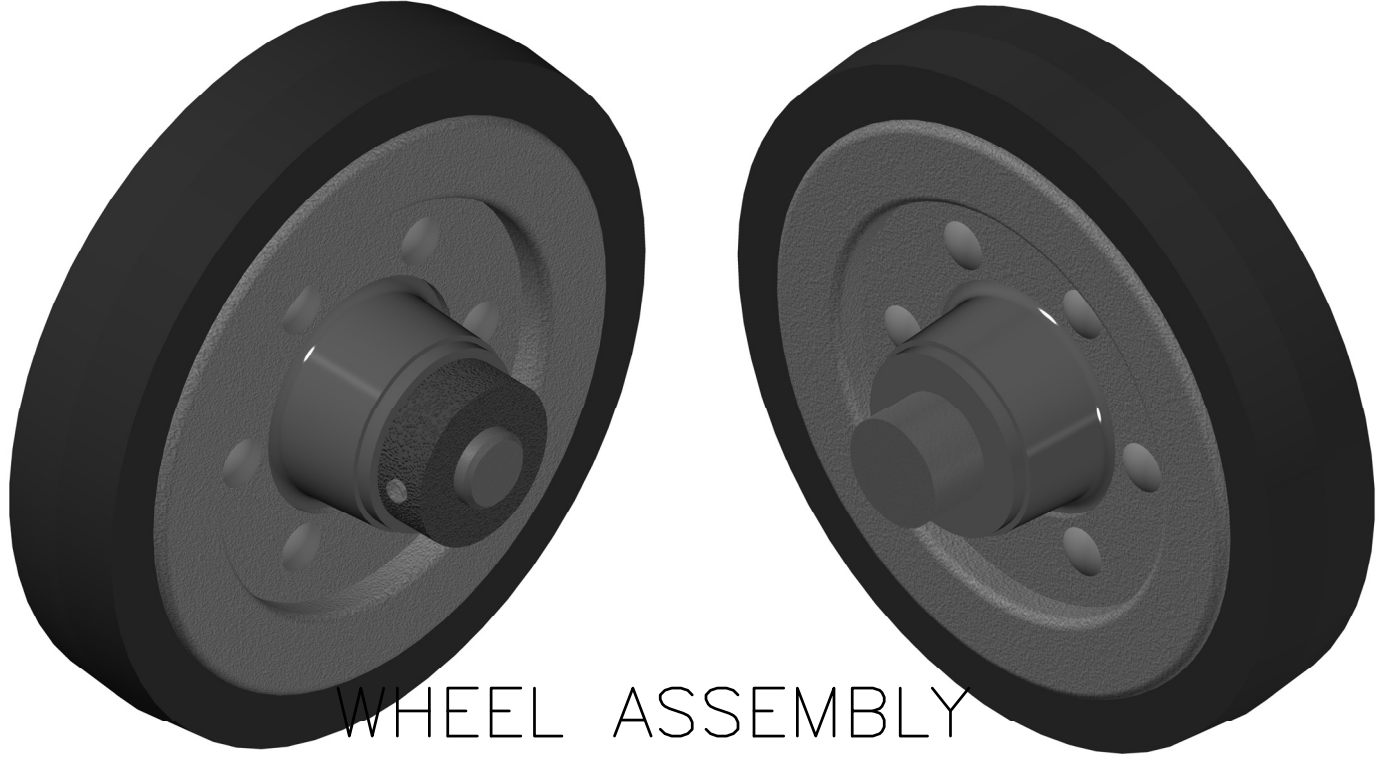
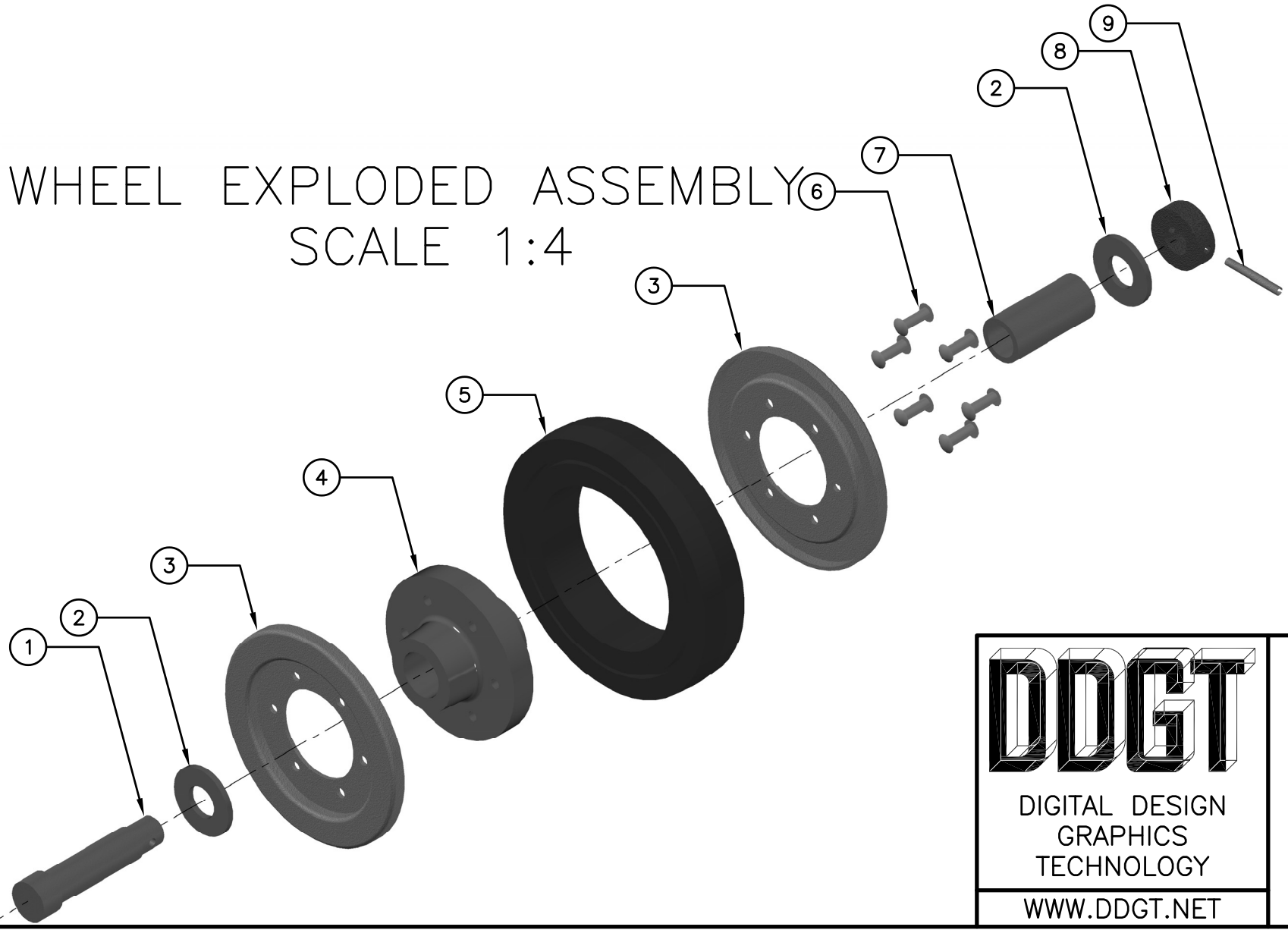
PARTS LIST

ITEM	QTY.	PART NAME	MATERIAL	DESCRIPTION
1	1	AXLE	STEEL CAST	
2	2	WASHER	ALUMINUM POLISHED	.18 THICKNESS
3	2	SIDE PANEL	ALUMINUM CAST	.12 UNIFORM THICKNESS
4	1	HUB	STEEL	
5	1	WHEEL	RUBBER	
6	6	RIVET	STEEL	∅.31 X .99
7	1	OILLESS BUSHING	STEEL CAST	
8	1	WHEEL LOCK		
9	1	SPRING PIN	ALUMINUM CAST	∅.25 X 2

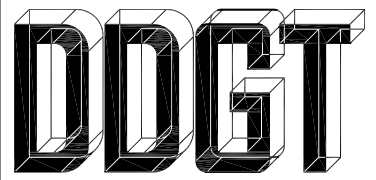
LEGEND:

- ° DEGREES
- ∅ DIAMETER
- R RADIUS

WHEEL EXPLODED ASSEMBLY
SCALE 1:4

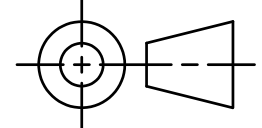


WHEEL ASSEMBLY
SCALE 1:2



DIGITAL DESIGN
GRAPHICS
TECHNOLOGY

WWW.DDGT.NET

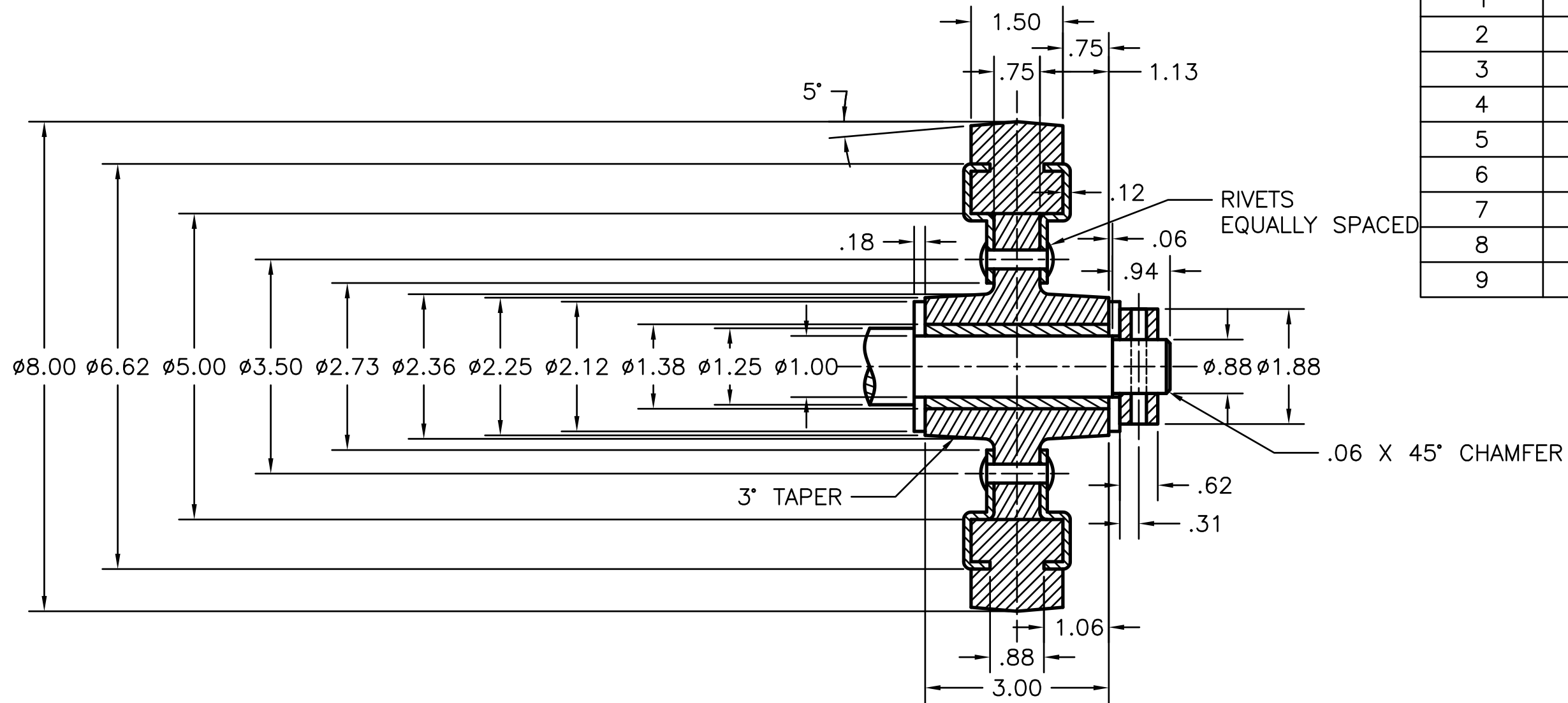


TOLERANCES UNLESS SPECIFIED:
 DECIMAL INCHES:
 X = ±.020
 XX = ±.010
 XXX = ±.005
 FRACTIONAL ±1/64"
 ANGLES ±1 DEGREE
 SURFACES 32 ✓

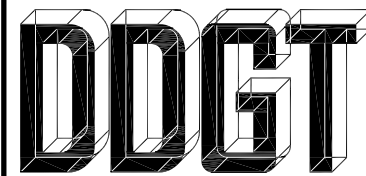
COURSE:	DDGT121
AUTOCAD DRAWING NAME:	WHEEL ASSEMBLY
FIG #:	11-55
DRAFTER:	W. VALLADARES
DATE:	2/13/2019
SCALE:	AS NOTED
PAGE #:	1 OF 2

PARTS LIST

ITEM	QTY.	PART NAME
1	1	AXLE
2	2	WASHER
3	2	SIDE PANEL
4	1	HUB
5	1	WHEEL
6	6	RIVET
7	1	OILLESS BUSHING
8	1	WHEEL LOCK
9	1	SPRING PIN

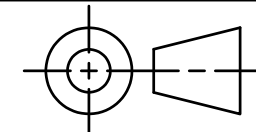


LEGEND:
 ° DEGREES
 ϕ DIAMETER
 R RADIUS



DIGITAL DESIGN
 GRAPHICS
 TECHNOLOGY

WWW.DDGT.NET



TOLERANCES UNLESS SPECIFIED:
 DECIMAL INCHES:
 X = ± 0.020
 XX = ± 0.010
 XXX = ± 0.005
 FRACTIONAL $\pm 1/64$ "
 ANGLES ± 1 DEGREE
 SURFACES $\sqrt{32}$

COURSE: DDGT121

AUTOCAD DRAWING NAME:
 WHEEL ASSEMBLY

FIG #: 11-55

DRAFTER: W. VALLADARES

DATE: 2/13/2019

SCALE: 1:2

PAGE #: 2 OF 2