

Prepare both the casting and the machining drawings for the connector shown in Fig. 13-48. Draw a one-view full section, complete with the necessary dimensions for each drawing. Scale 1:1.

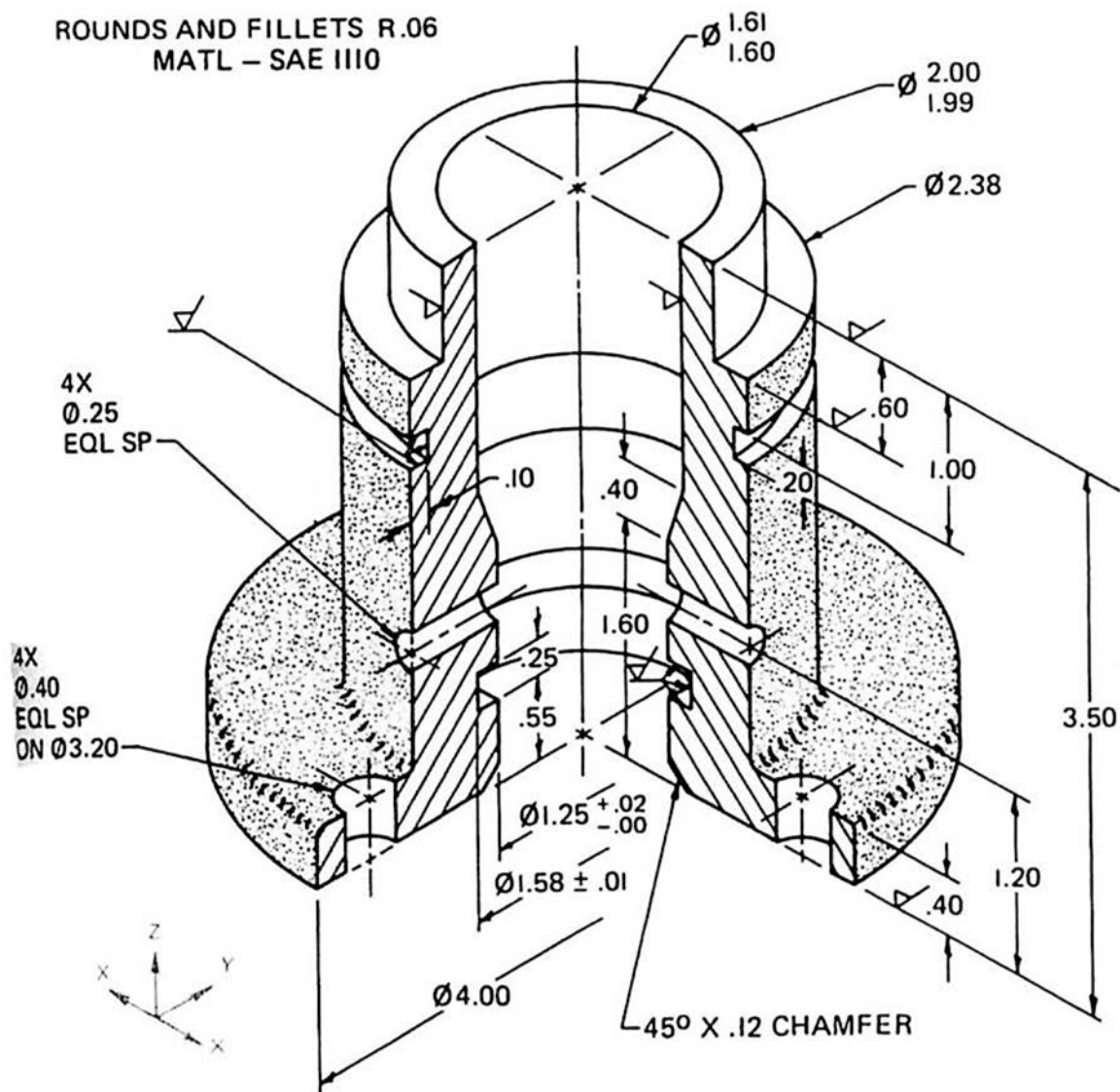
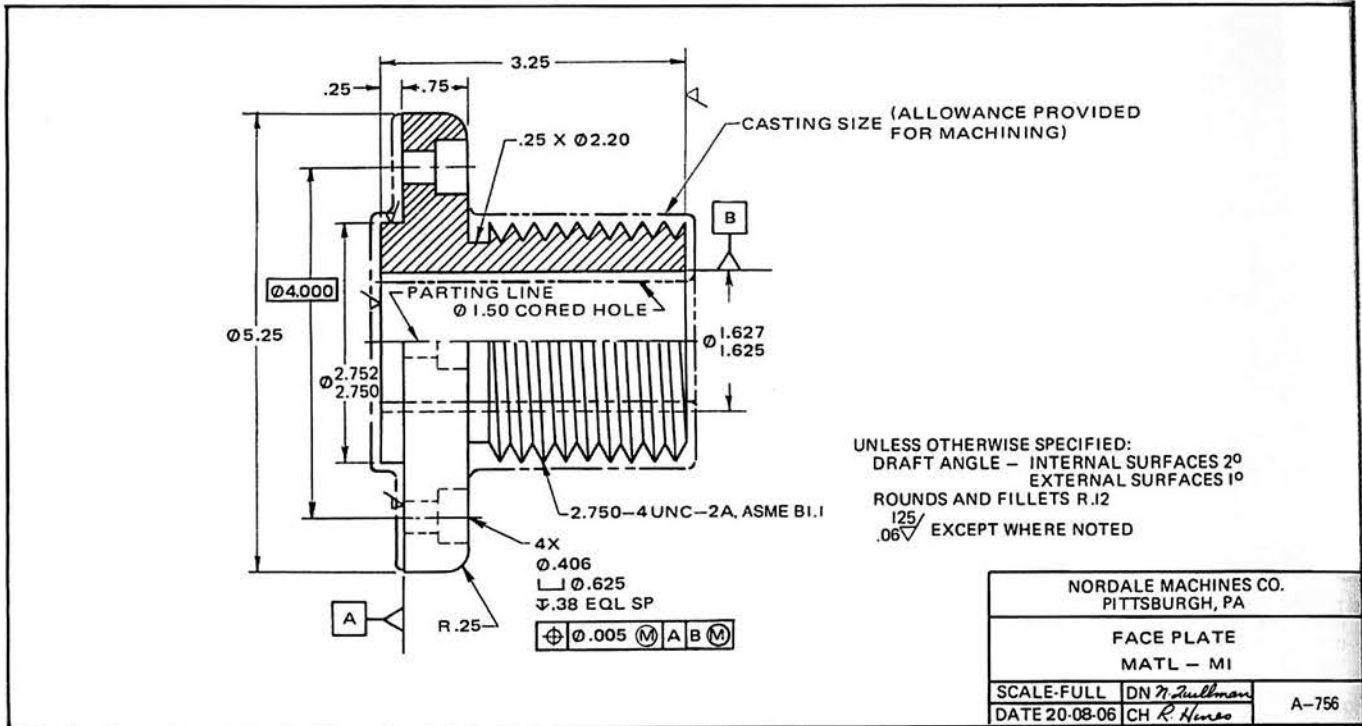


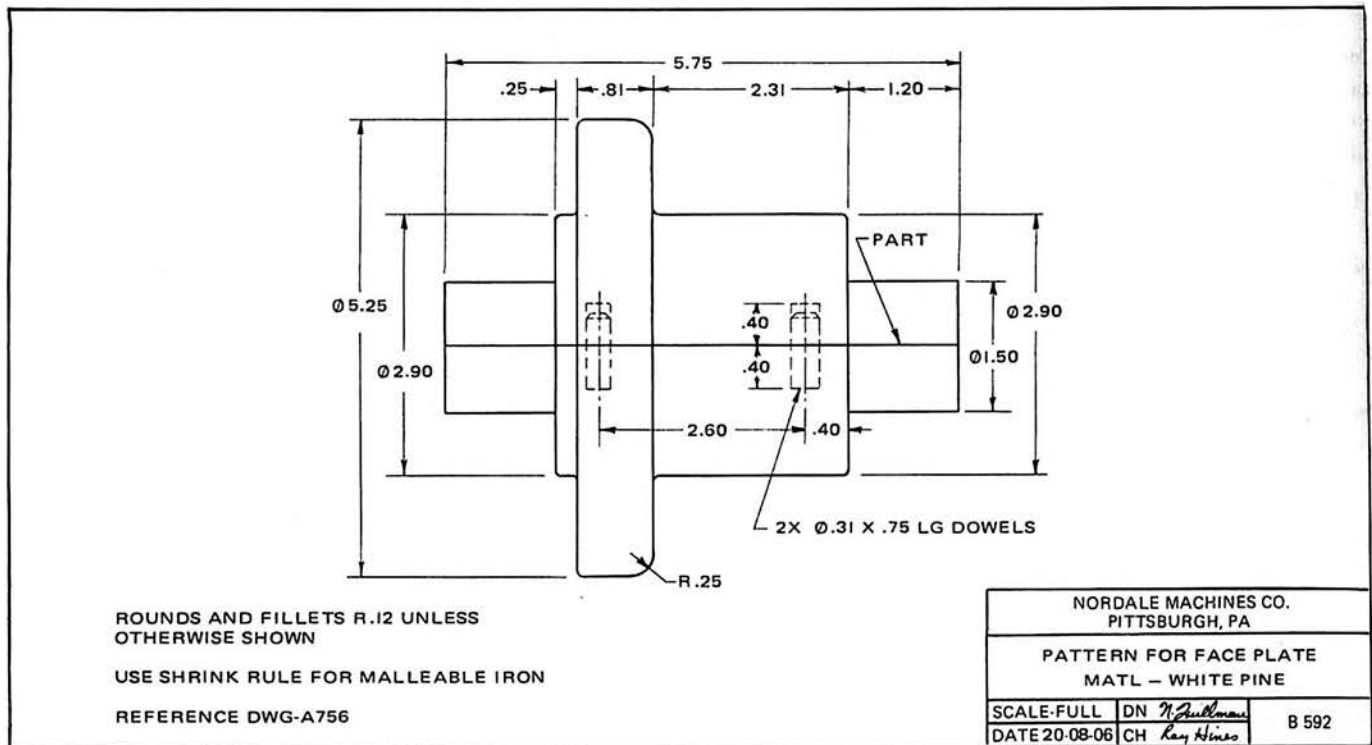
Fig. 13-48 Connector.

SEE FOLLOWING PAGE FOR A  
REFERENCE GUIDE

# THIS IS FOR REFERENCE TO ACCOMPANY ASSIGNMENT 13-48 - CONNECTOR



(A) WORKING DRAWING OF A CAST PART



(B) PATTERN DRAWING FOR THE CAST PART SHOWN IN (A)

Fig. 13-15 Cast-part drawings.